

Conference Chair



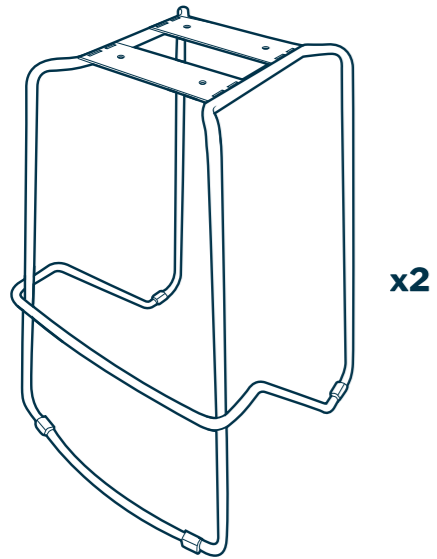
No Tools
Required



Holds up to
250 lb (113.4 kg)

vari[®]

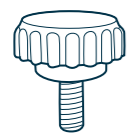
1



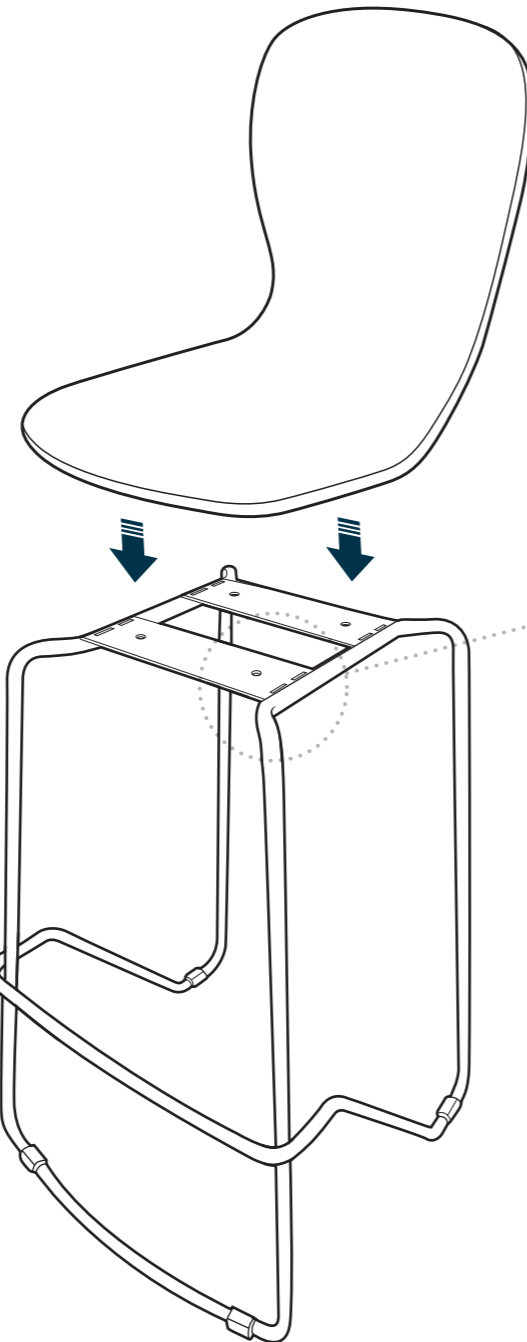
x2



x2



x8



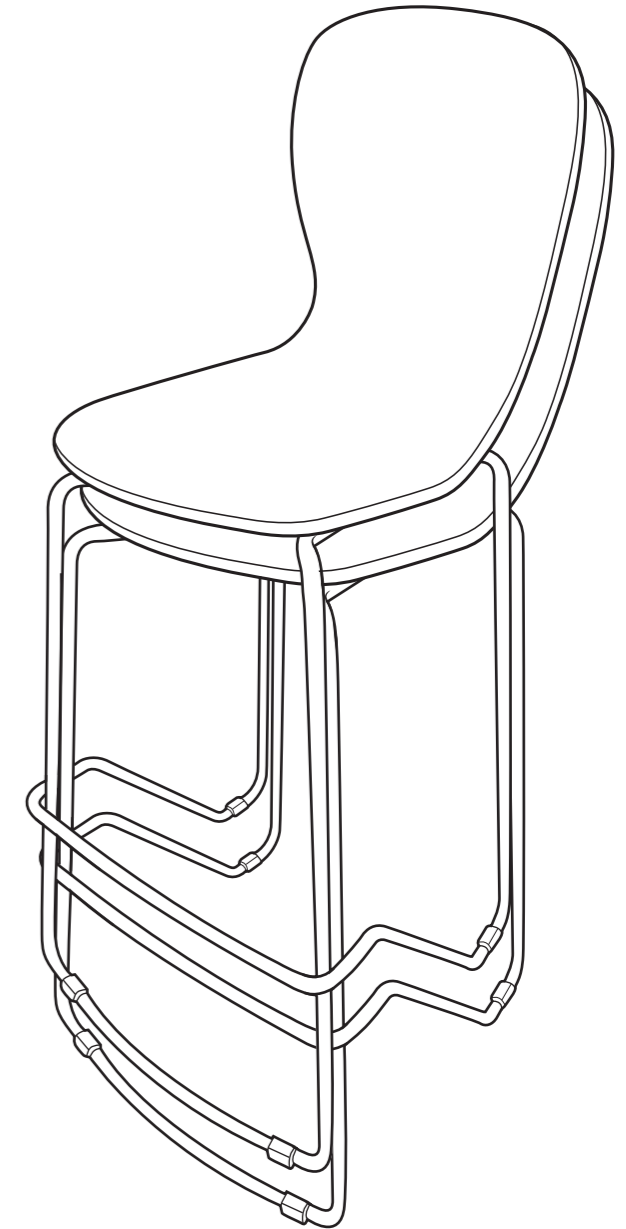
Remove the seat from the packaging and align the holes in the bottom of the seat with the holes in the top of the leg base.

2



Turn in each screw loosely until all 4 are in place. Once all 4 screws are in, tighten to secure the seat. Remove the white protective plastic pieces from the chair legs before using chairs.

3



Once assembled, you can safely stack up to 4 chairs together.



(800) 207-2587



WARNING: To prevent injuries and product failure, do not use this chair for standing, climbing, or leaning. Do not use if the chair is damaged or incorrectly assembled.