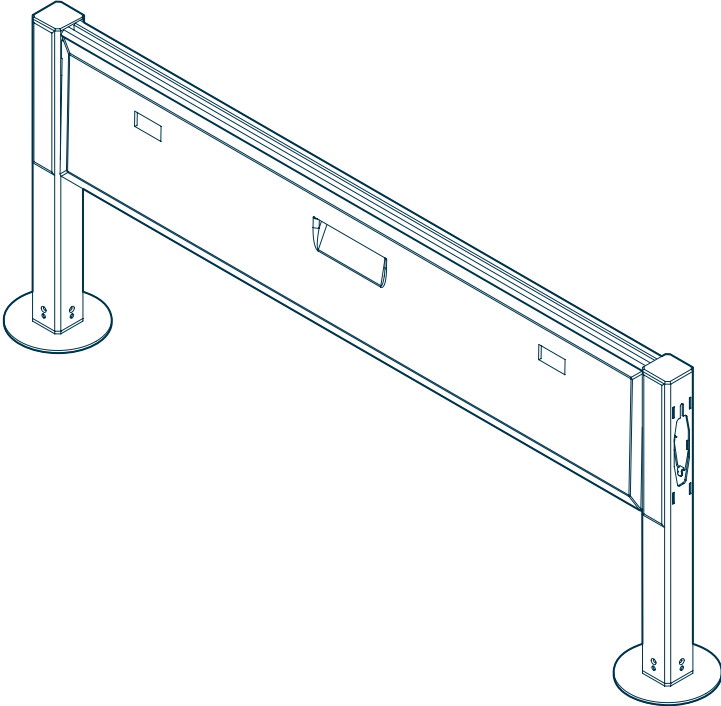
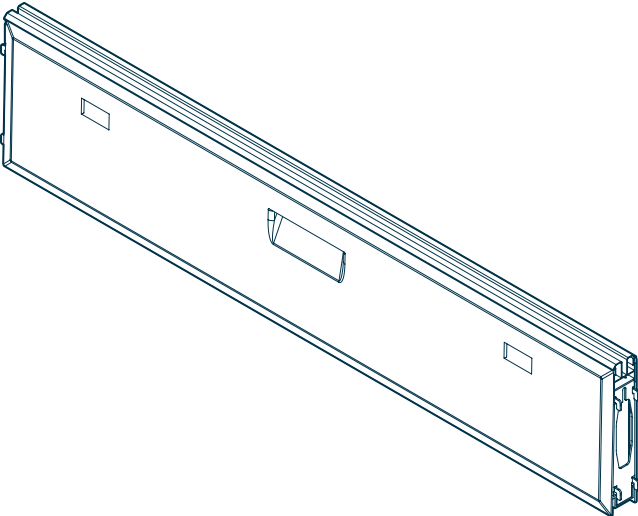


Beam Assembly



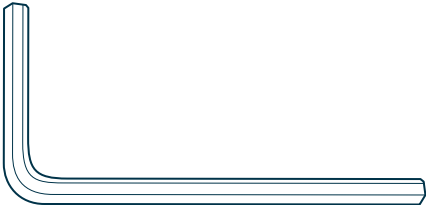
NOTE: READ ALL INSTRUCTIONS AND PLAN LAYOUT BEFORE ASSEMBLING.



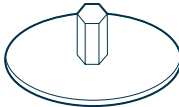
BEAM **x1**



POST **x2**

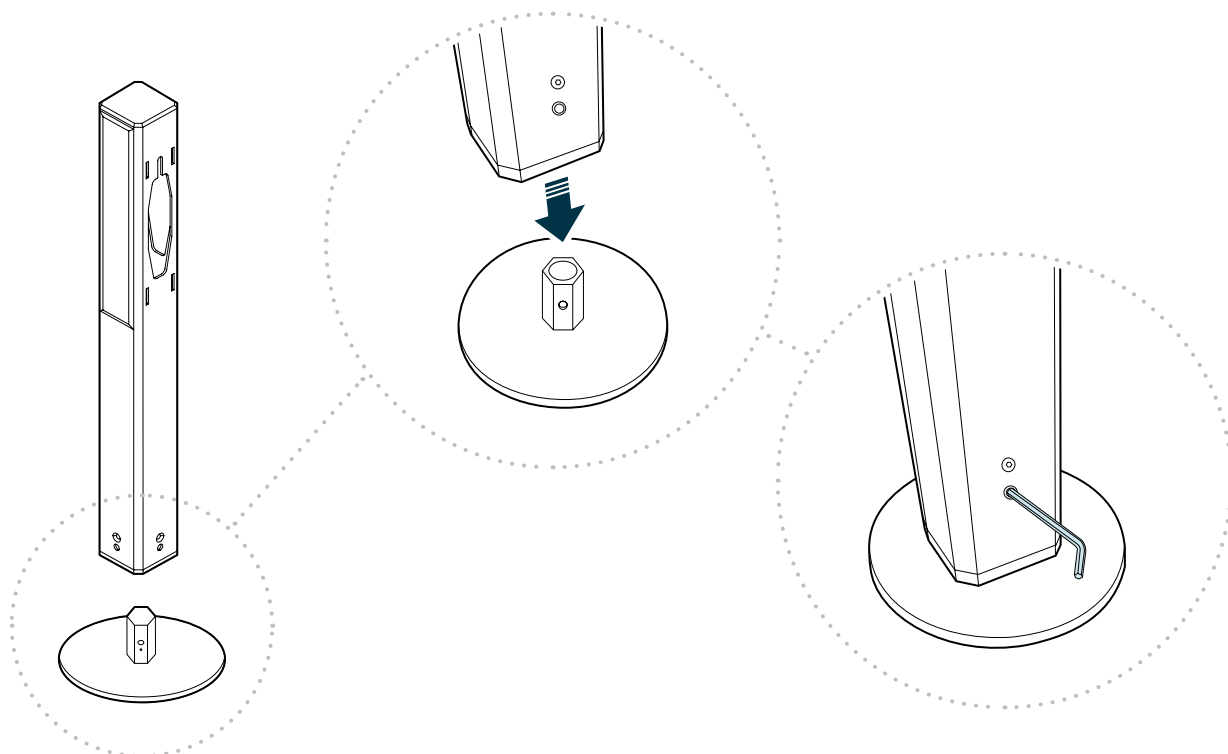


ALLEN KEY **x1**



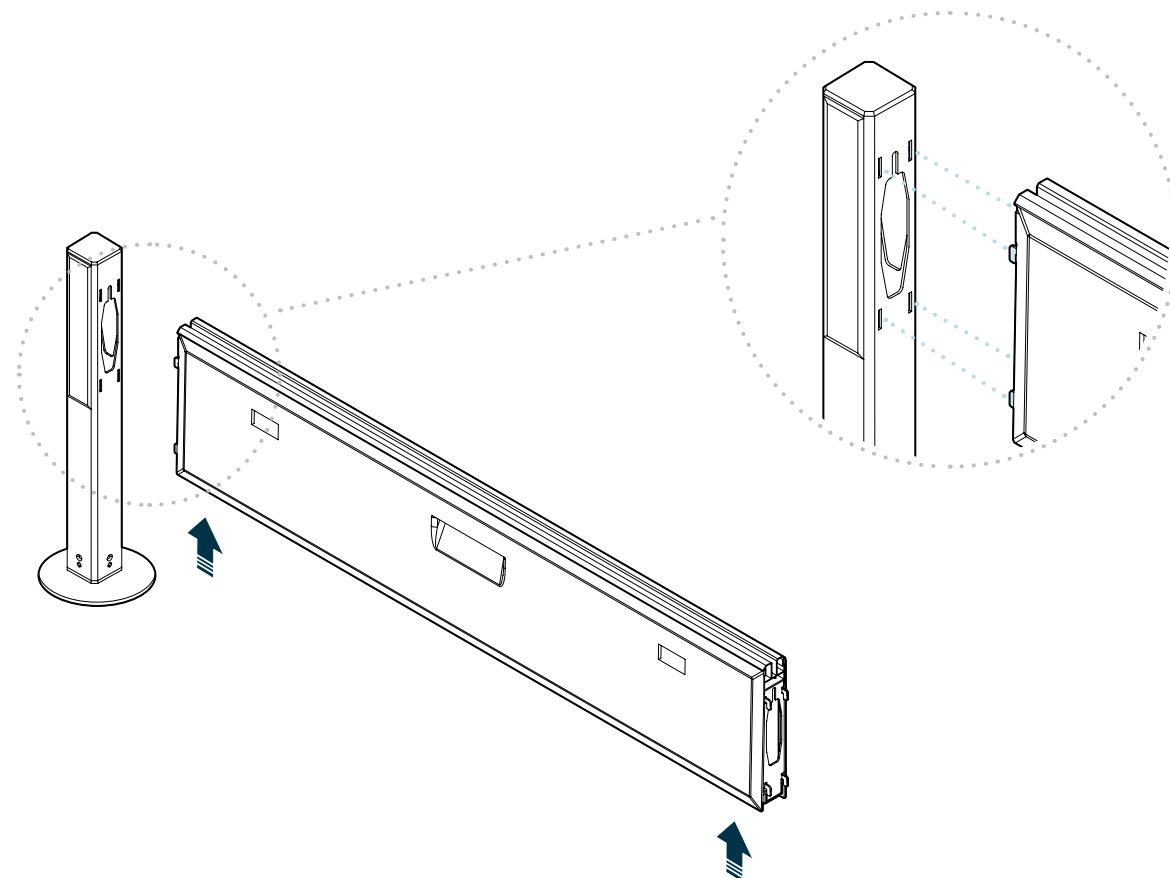
BASE PLATE **x1**

1



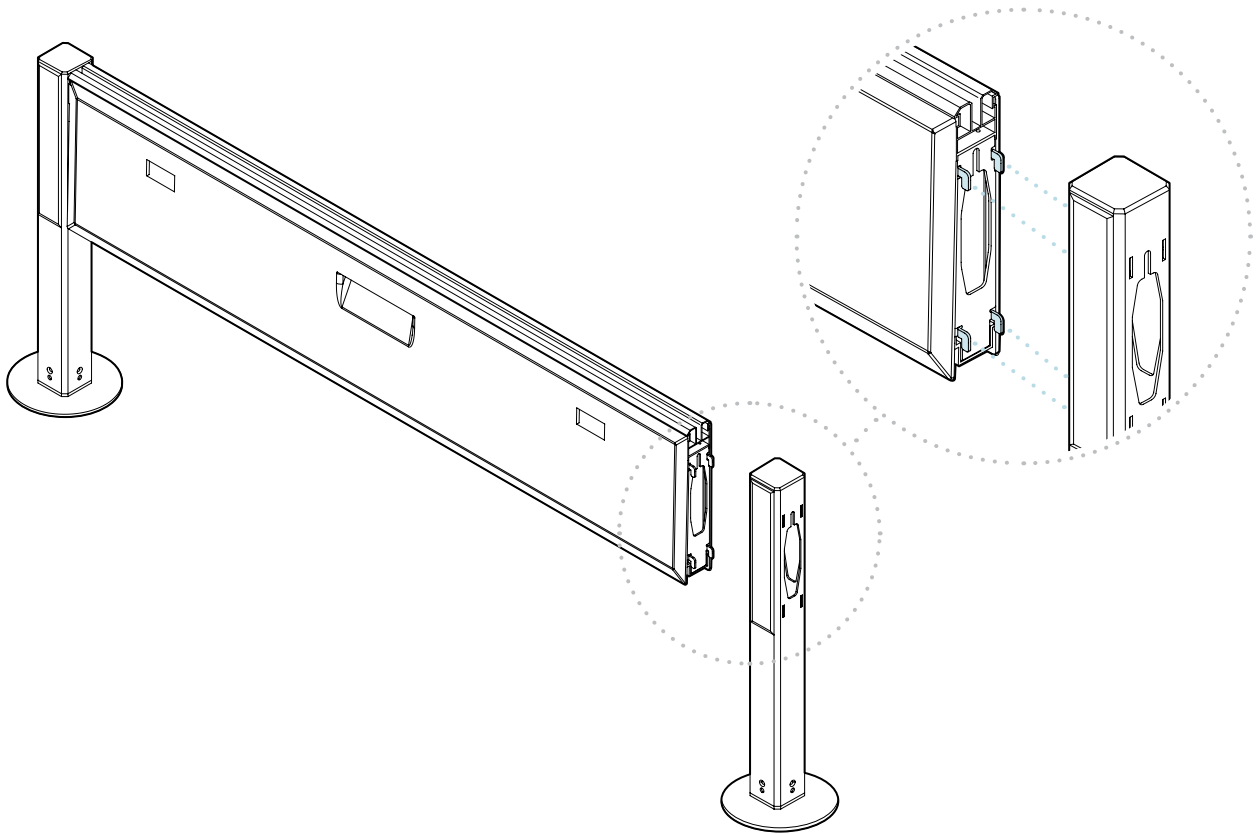
Place the post on the base plate as illustrated above. Then, using an Allen key, tighten both sides of the post. Repeat to assemble the second post.

2



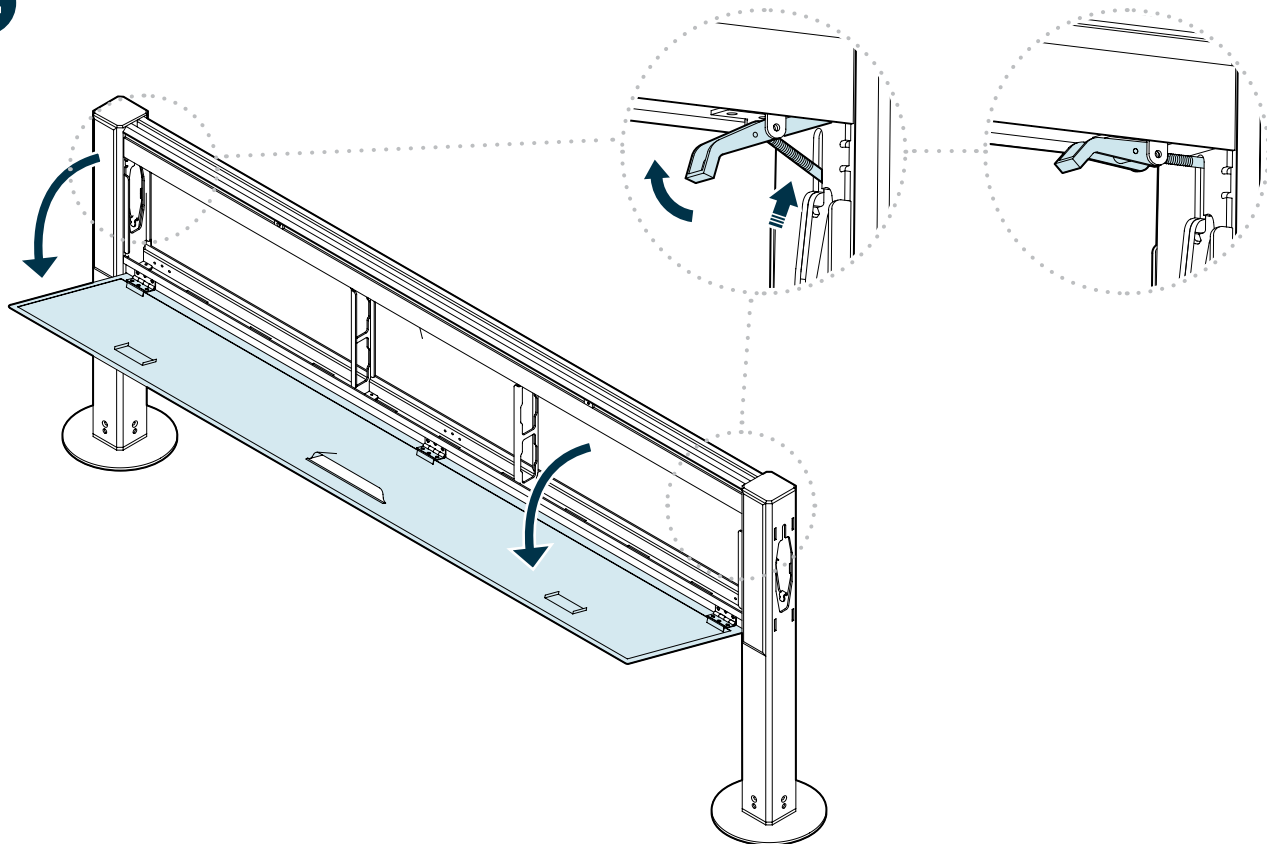
With help from a second person, lift the beam, keeping the ends level with each other. Insert the brackets on the beam end into the corresponding holes on the post.

3



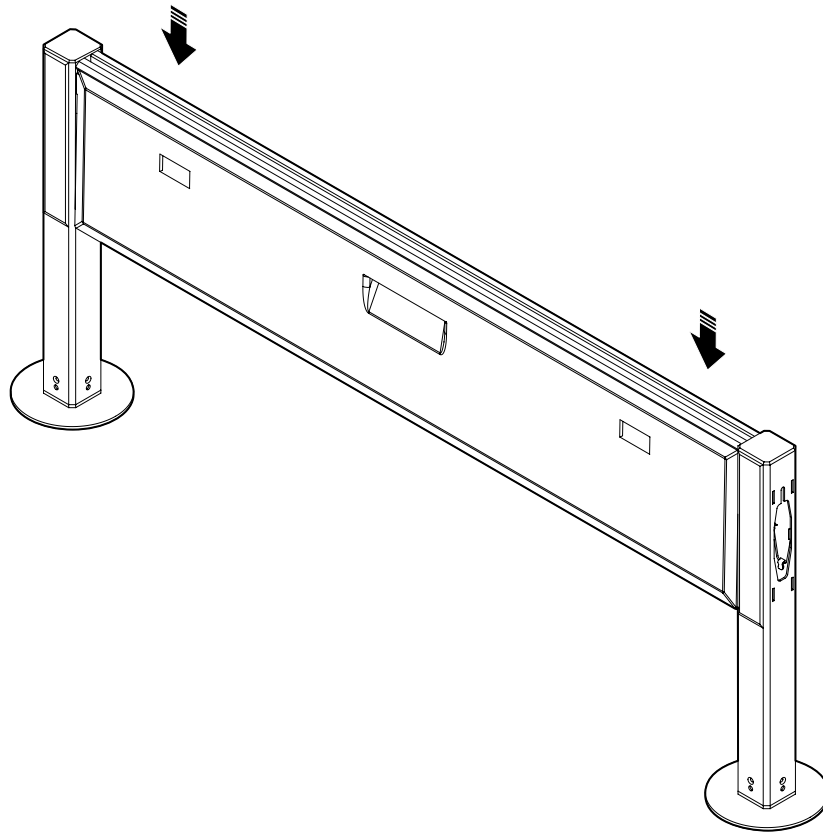
Insert the brackets on the second end of the beam into the second post.

4



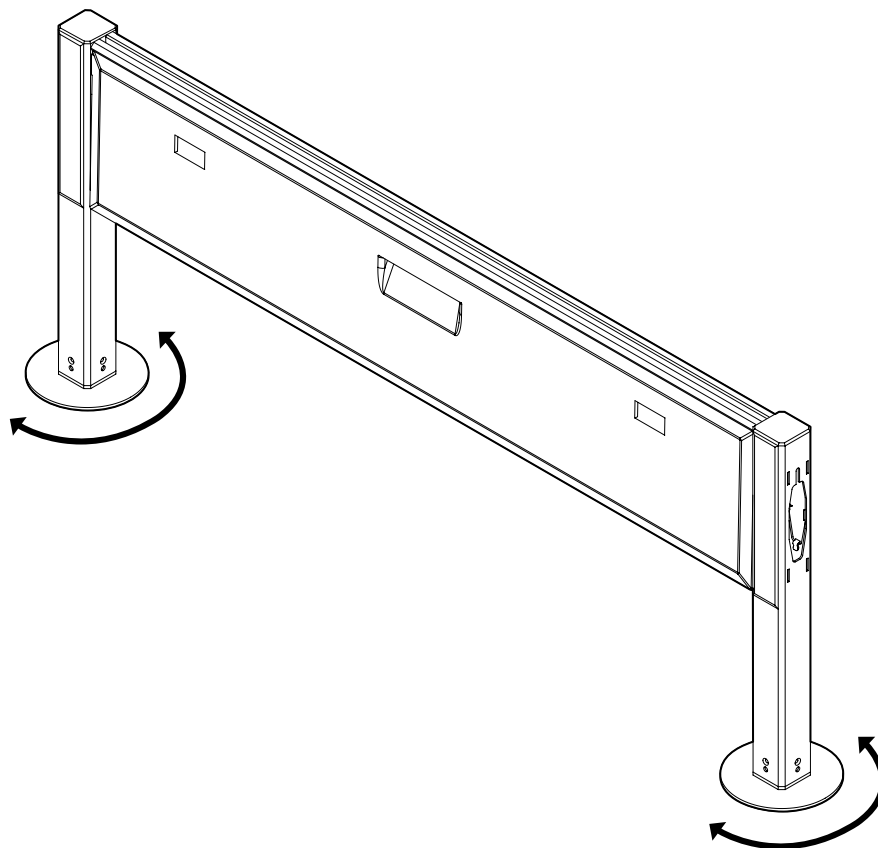
Pull down the side cover on the beam to access the draw latches, located in the upper corners. Swing the rubber gasket into the slot and push up, then pull the latch so that it is flush with the top of the beam. This will lock the rubber gasket in place.

5



Once the beam is installed, press down firmly on the top of the beam to ensure the connections are secure.

6

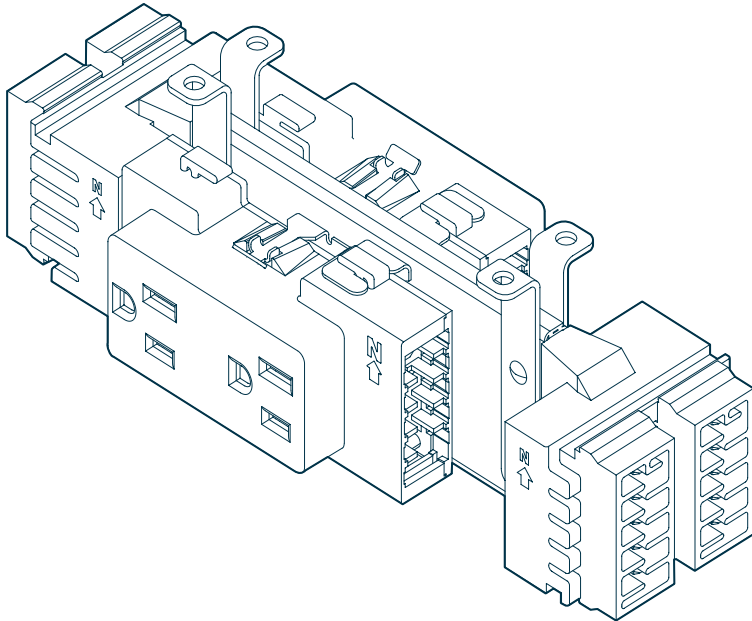


If leveling is needed, spin the base plates clockwise (to raise) or counterclockwise (to lower) the posts.

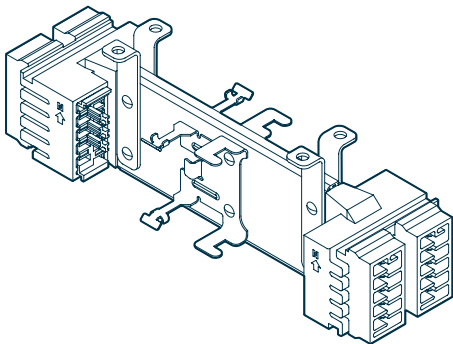
Repeat the previous steps to connect additional beams, creating your desired configuration.

Electrical Component Assembly

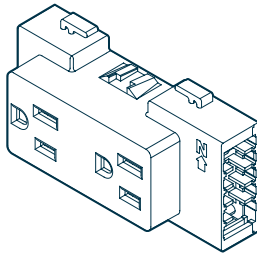

2 People Required



NOTE: READ ALL INSTRUCTIONS AND PLAN LAYOUT BEFORE ASSEMBLING.



DISTRIBUTION HARNESS x1



RECEPTACLE x2

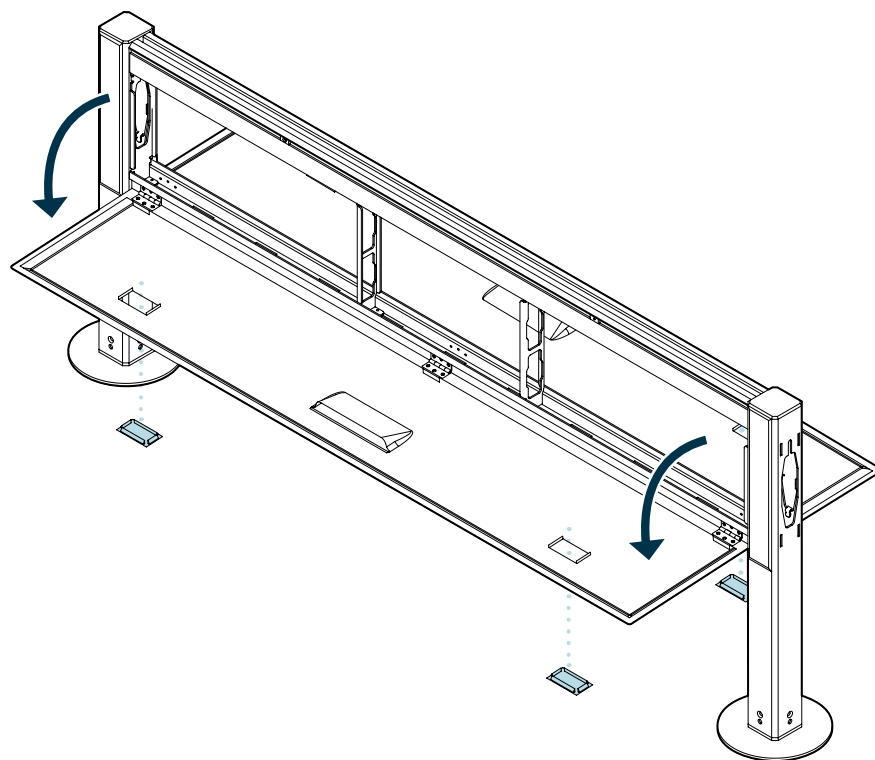


JUMPER CABLE x1
Comes in 4 Sizes:
14.75", 20.375", 34.375", 44.375"



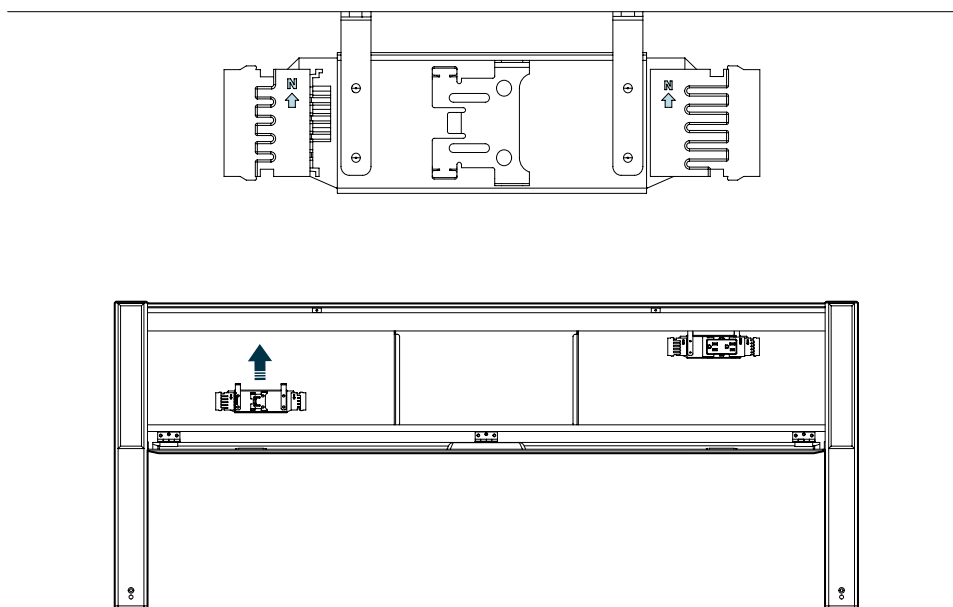
WHIP x1

1



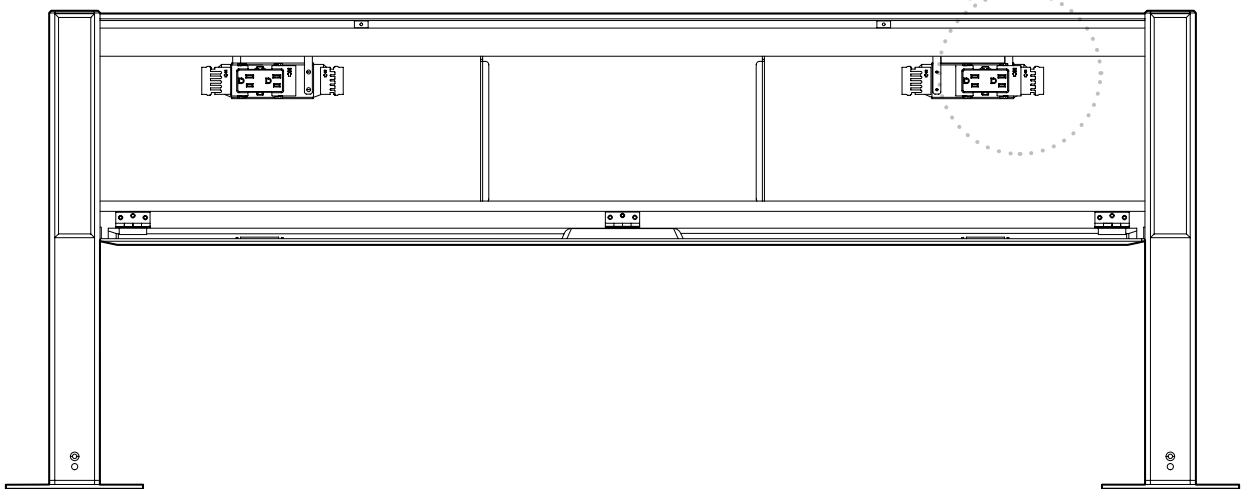
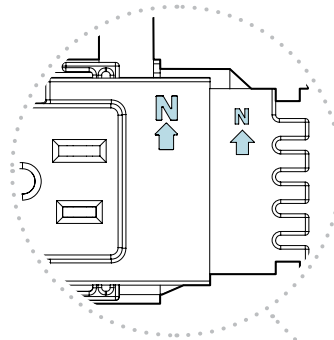
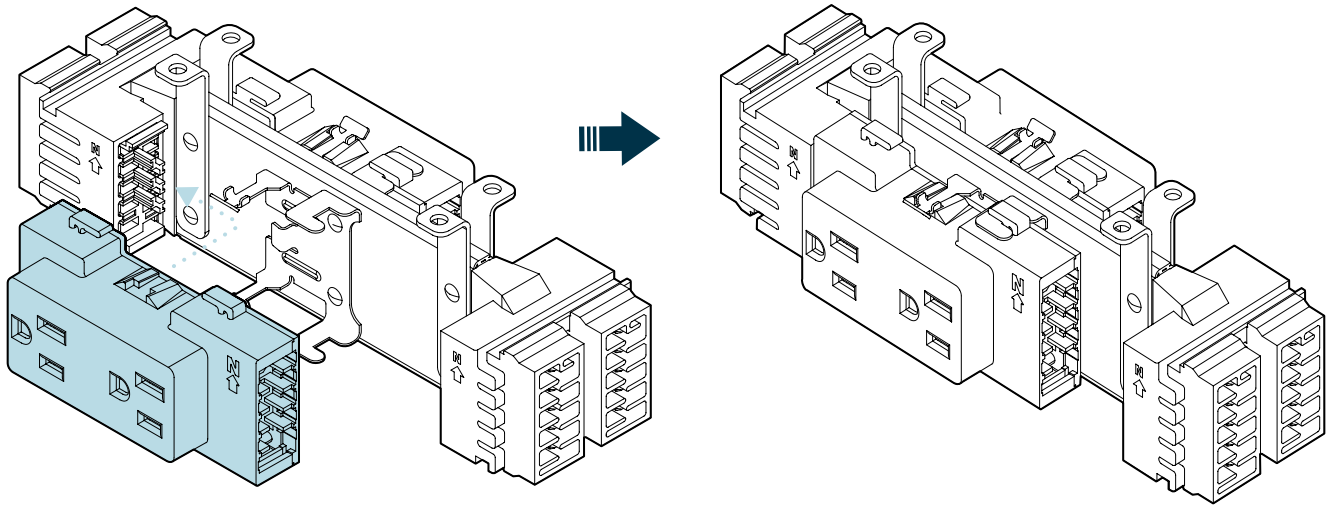
Open the side covers on both sides of the beam. Remove all outlet covers by pushing them through the outlet opening.

2



Secure both distribution harnesses to the stretcher. There are 4 pre-drilled holes located on the underside of the top extrusion on each side of the beam. There are a total of 8 screws per beam. Orient the distribution harnesses so that the arrow on the sticker is pointed towards the end of the beam; this is where the receptacles will attach. Make sure the **N** symbol is always pointing upward.

3

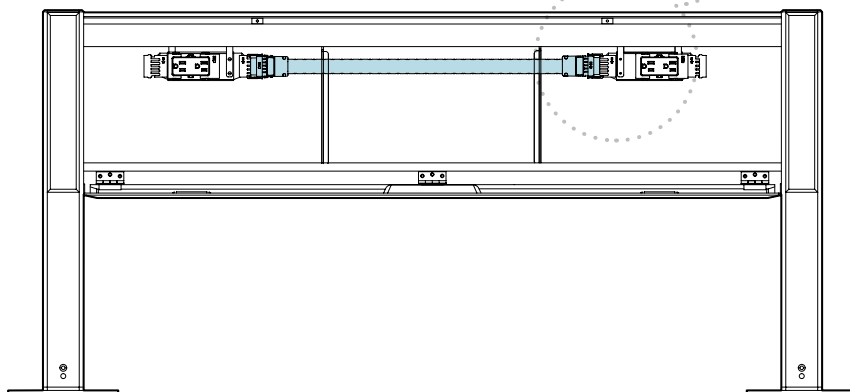


Attach each receptacle to the distribution harness by placing it in the opening, then slide it toward the nearest post until the clip is engaged. Make sure the N symbol on the receptacle is pointing upward.

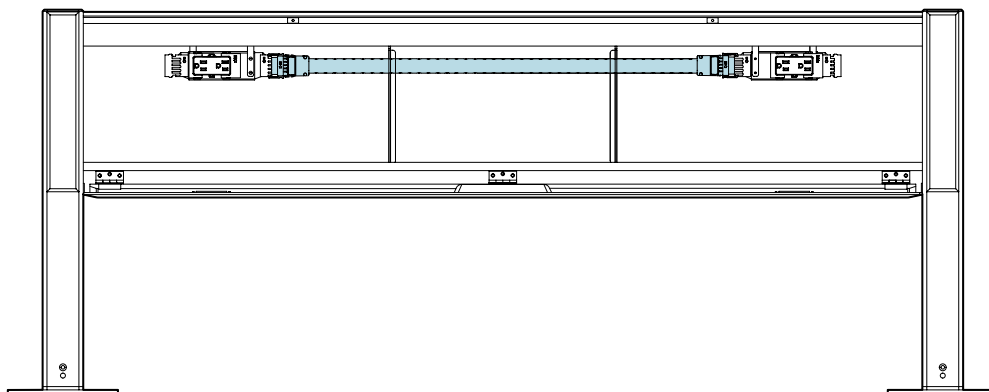
Repeat steps 1-3 for all remaining distribution harnesses in the run of beams.

4

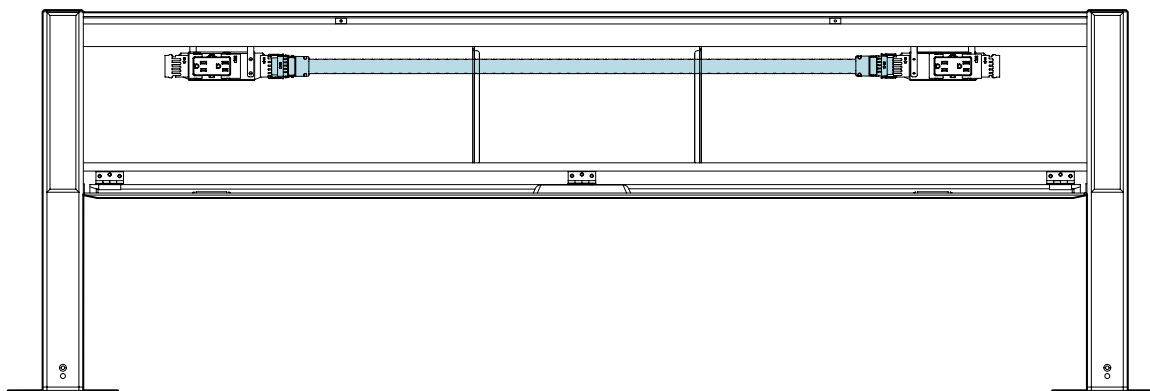
BEAM 48



BEAM 60



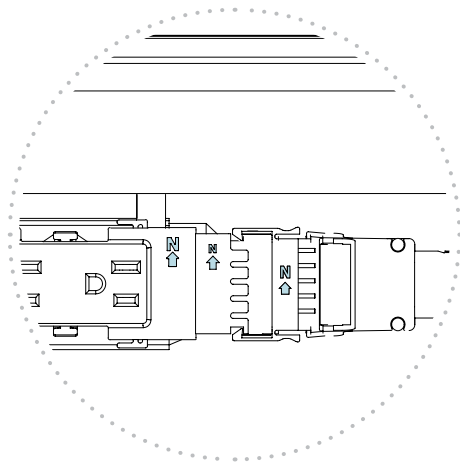
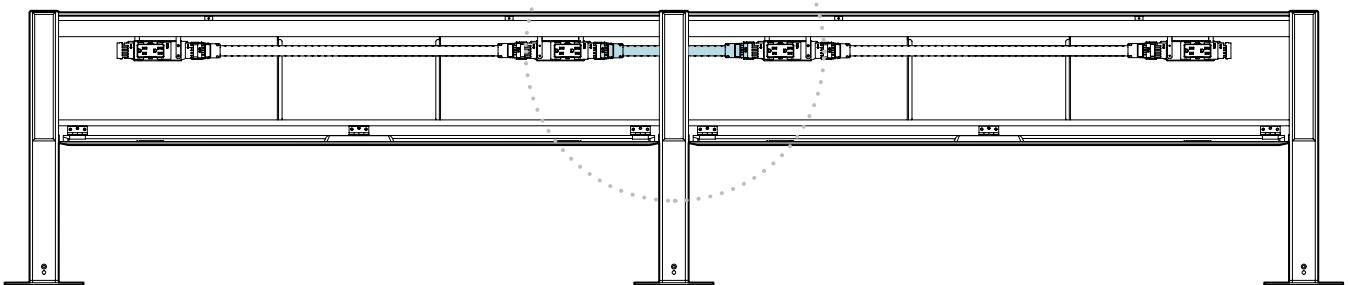
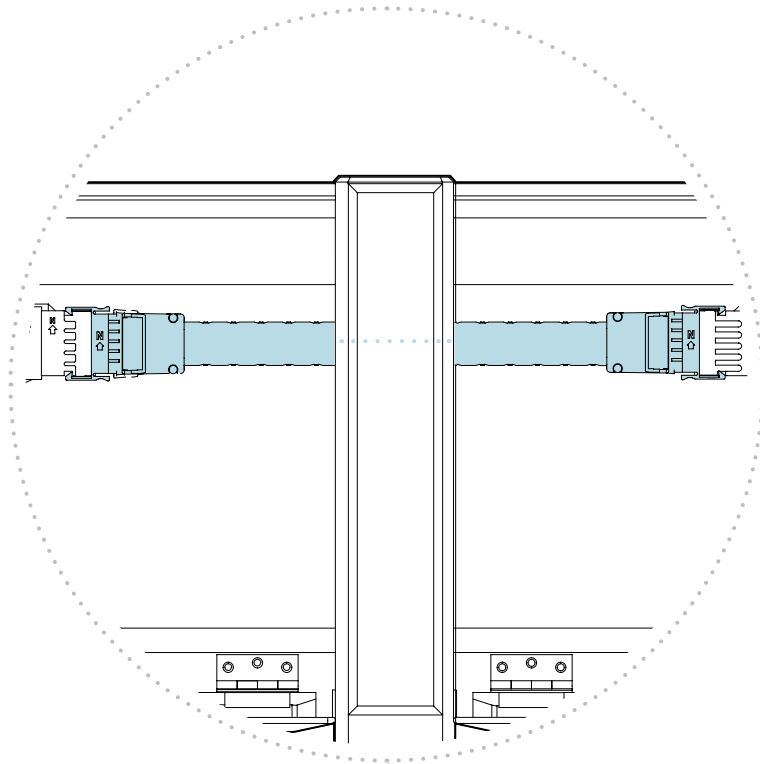
BEAM 72



Connect the distribution harnesses to each other using the appropriate jumper cable, running the cable through the central support bars. Jumper cable lengths will vary for each beam size, as listed below. Make sure the N symbol on the jumper cable is pointing upward.

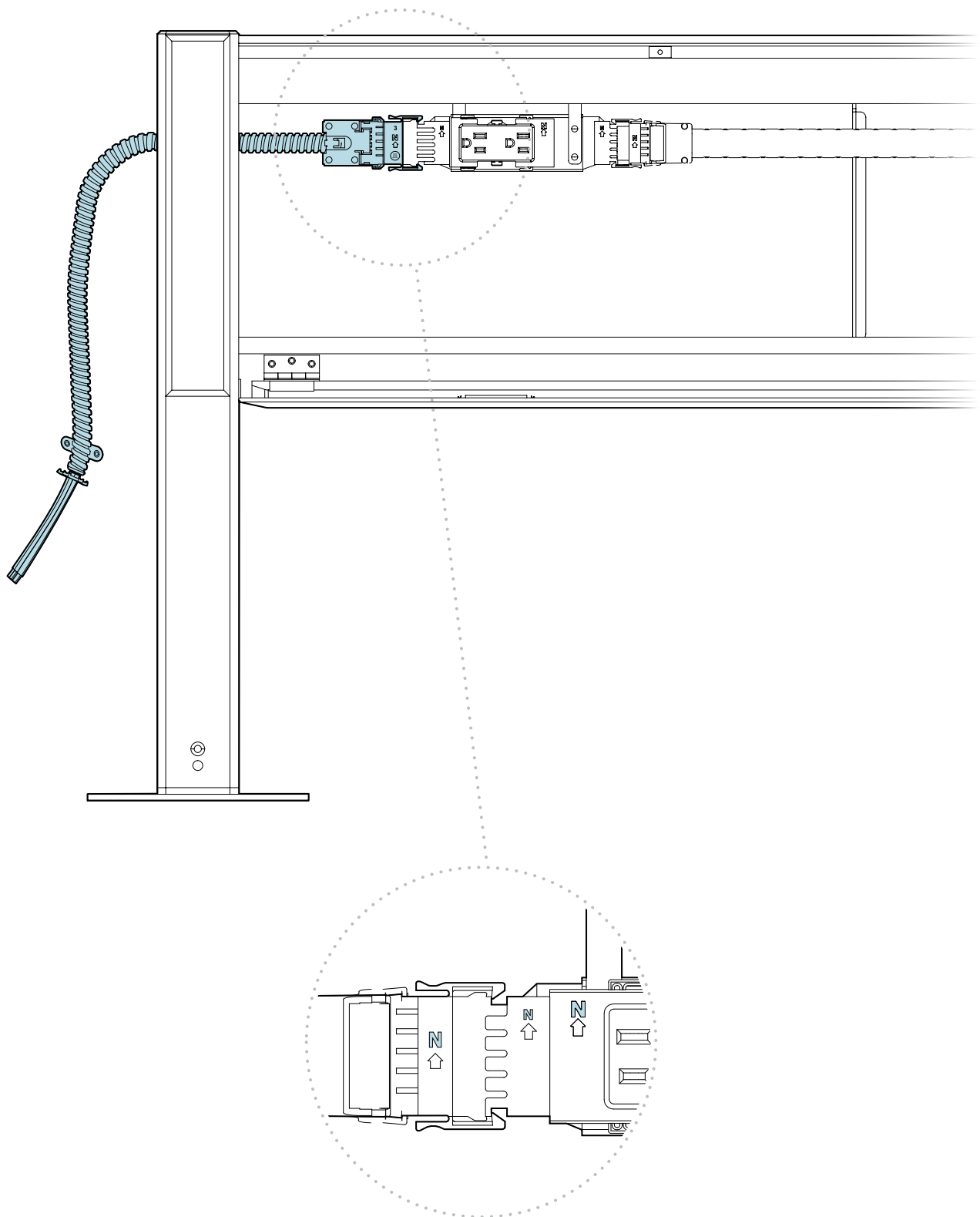
- Beam 48: 20.375" jumper cable
- Beam 60: 34.375" jumper cable
- Beam 72: 44.375" jumper cable

5



Connect the electrical components from one beam to a second beam using the 14.75" jumper cable, running it through the shared post. Make sure the N symbol on the jumper cable is pointing upward.

6



After all of the jumpers have been installed, connect the whip to the distribution harness at the end of the run closest to the electrical box. Make sure the **N** symbol is pointing upward.

WARNING: To complete installation, beams must be hardwired by a qualified electrician. Do NOT attempt to connect the whip to the main power on your own.



ATTENTION: Power sources must be hardwired by a qualified electrician. For proper installation, reference NEC and local applicable building codes.



WARNING: To avoid electric shock, disconnect power at source prior to installation.



WARNING: Do not open any components; there is danger of electric shock.



CAUTION: Keep plug away from heated surfaces.



CAUTION: Beverages such as water or coffee could cause product failure if spilled.



WARNING: To reduce risk of fire, electric shock, or personal injury, use only indoors and do not install in a wet or damp location.



CLEANING: Dust can be removed with a dry cloth. Do not use water or any other liquid on any surface where it may come into contact with electrical components.



WARNING: Never operate this product if it has a damaged cord or plug, if it is not working properly, if it has been dropped or damaged, or if it has had contact with water or other liquids. Contact our customer service department during business hours to report any issues.

