

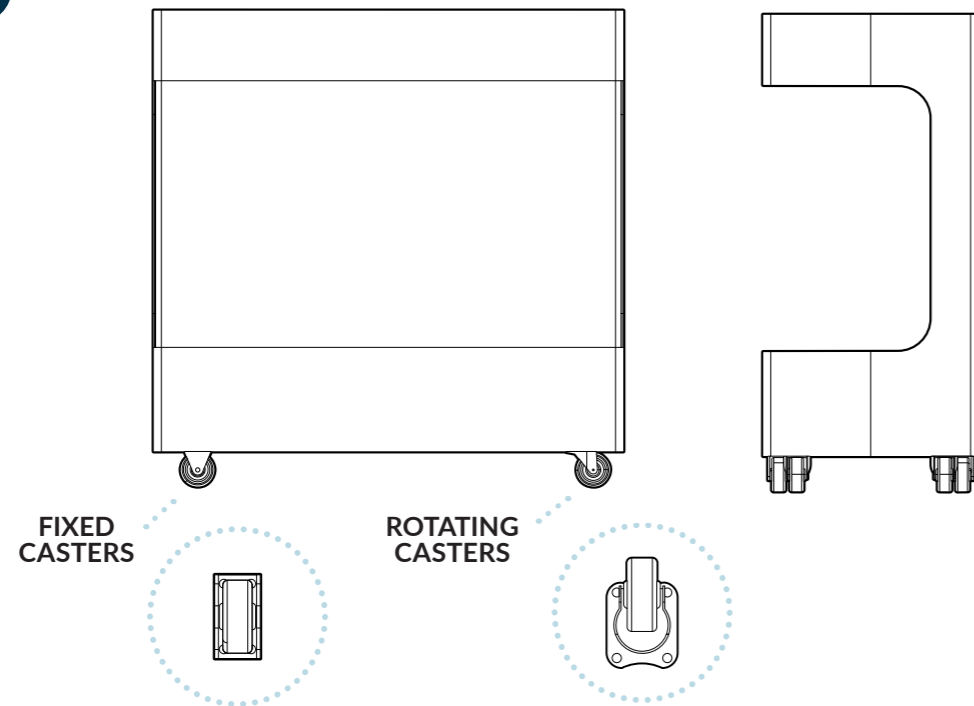
Mobile Cubby



WEIGHT CAPACITY
Upper Shelf: 25 lbs (11,34 kg)
Lower Shelf: 45 lbs (20,41 kg)
Total: 70 lbs (31,75 kg)

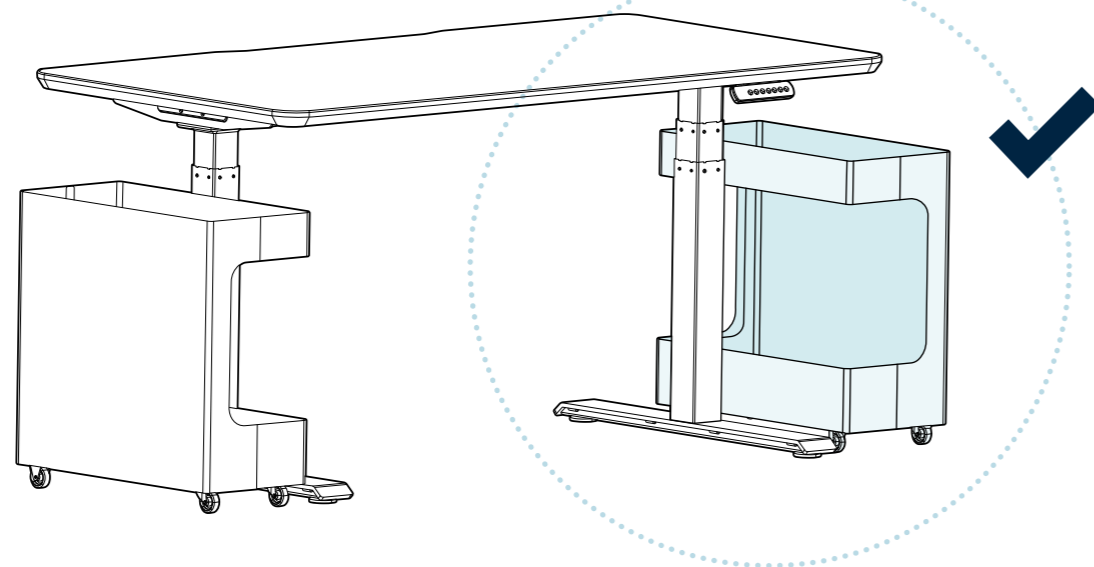
vari[®]

1



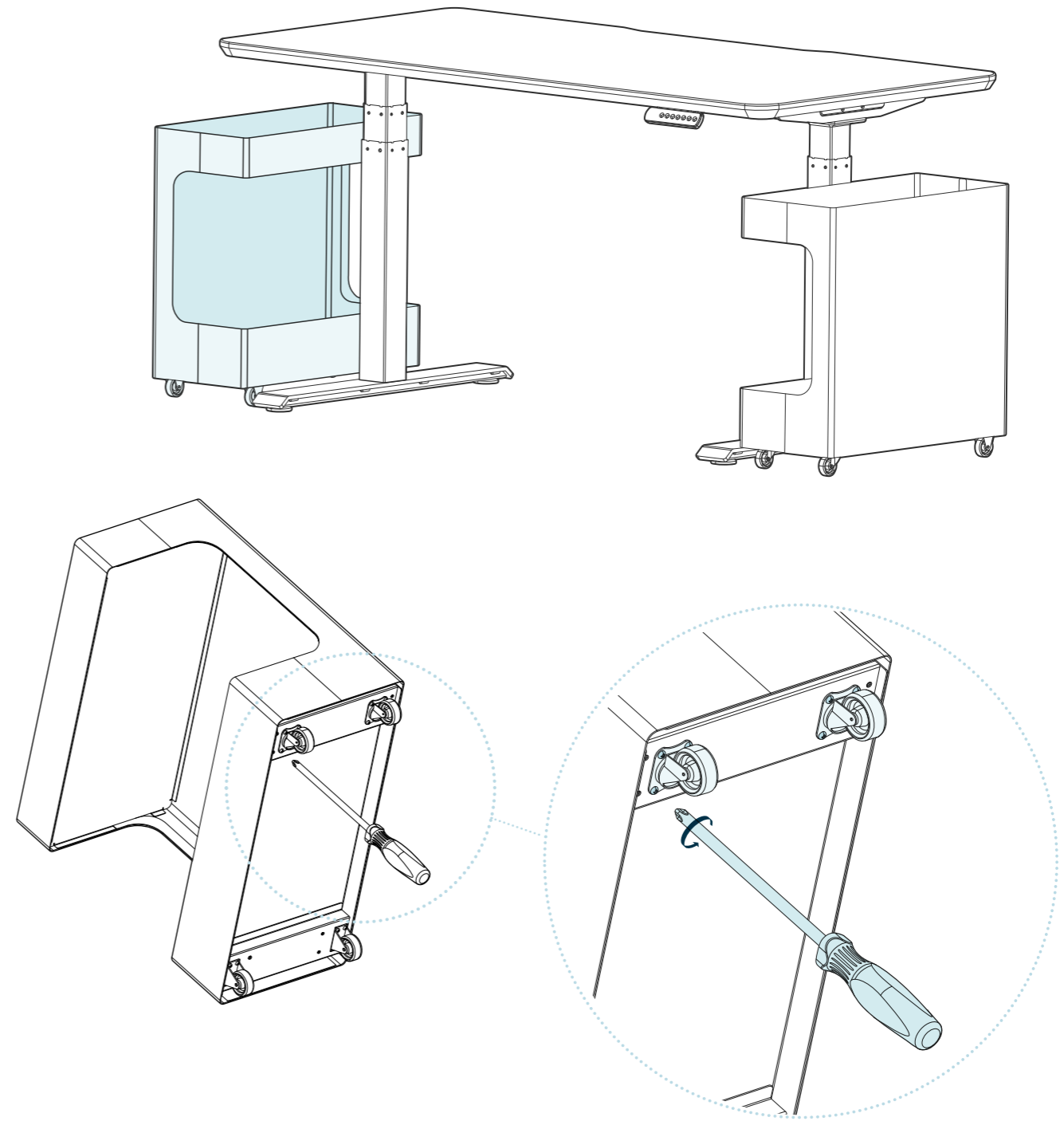
Unbox the Mobile Cubby.

2



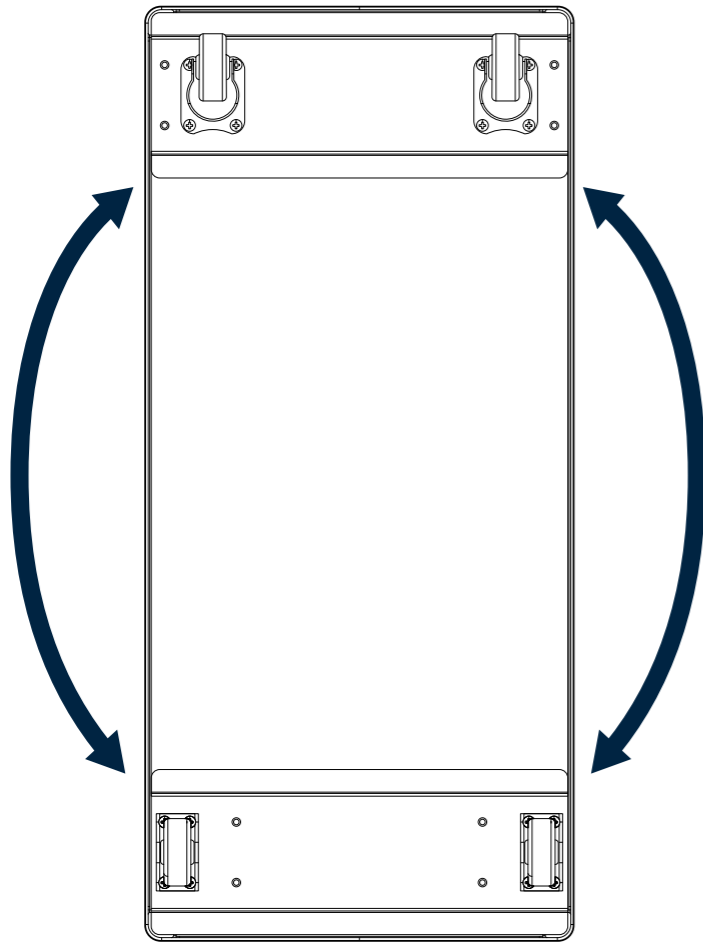
If you want to place the cubby on the right side of your desk, there is no assembly required.

3



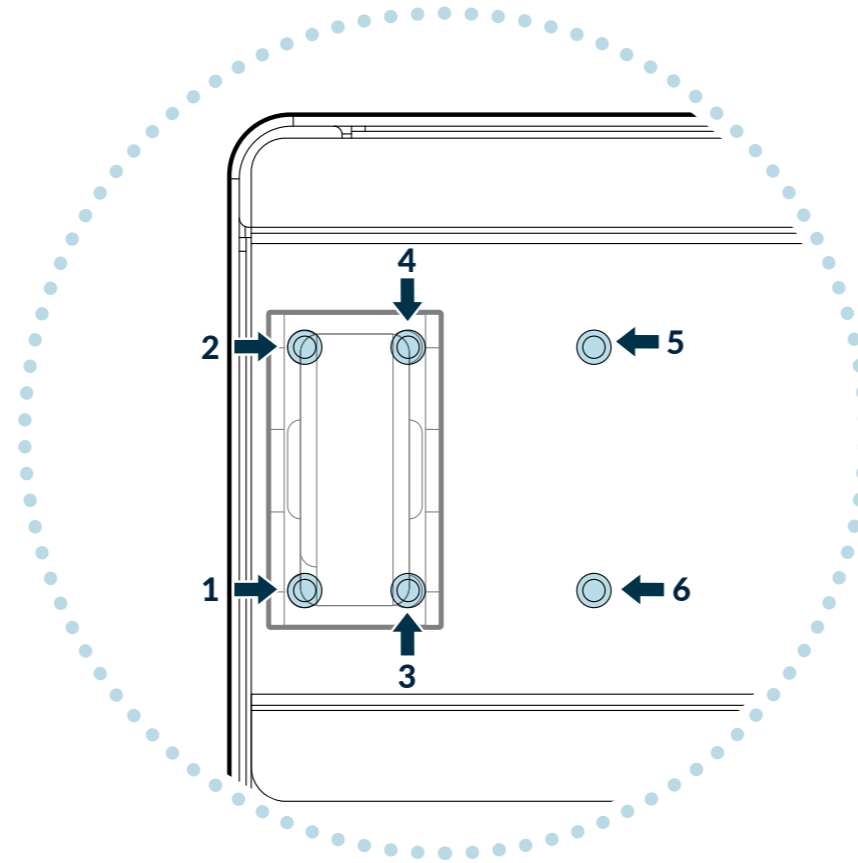
If you want to place the cubby on the left side of your desk, use a Phillips head screwdriver (not included) to unscrew the fixed and rotating casters.

4



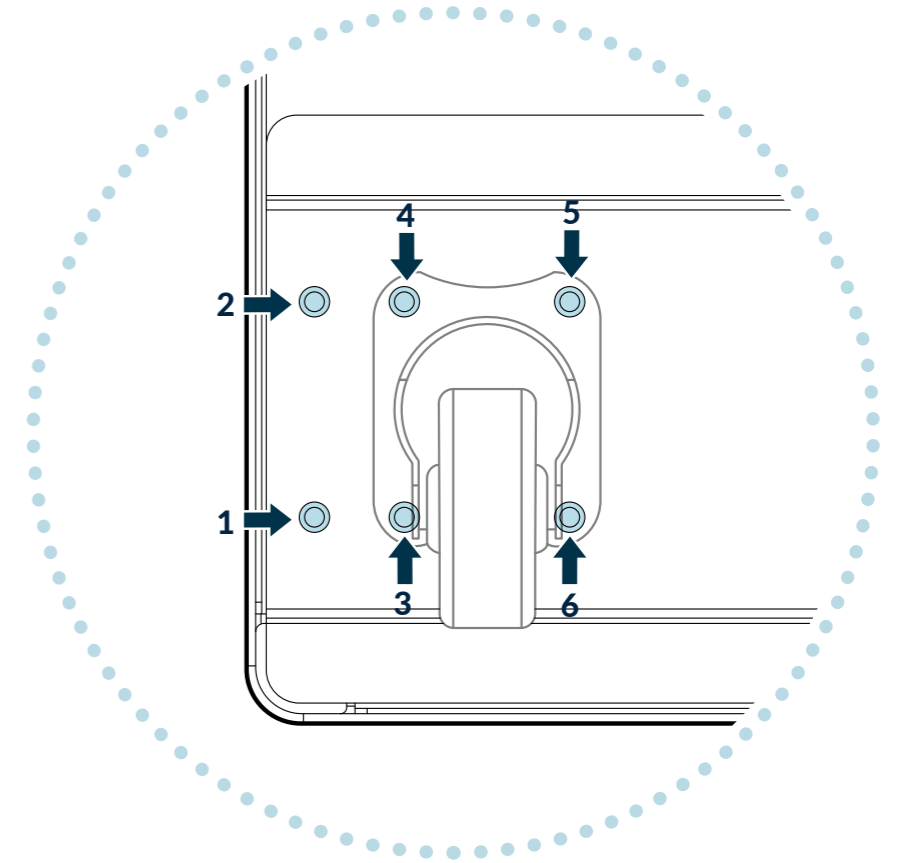
Reverse the positions of the casters.

5



Screw the fixed casters into holes 1, 2, 3, and 4.

6



Screw the rotating casters into holes 3, 4, 5, and 6 to complete.