

# QuickFlex Walls®



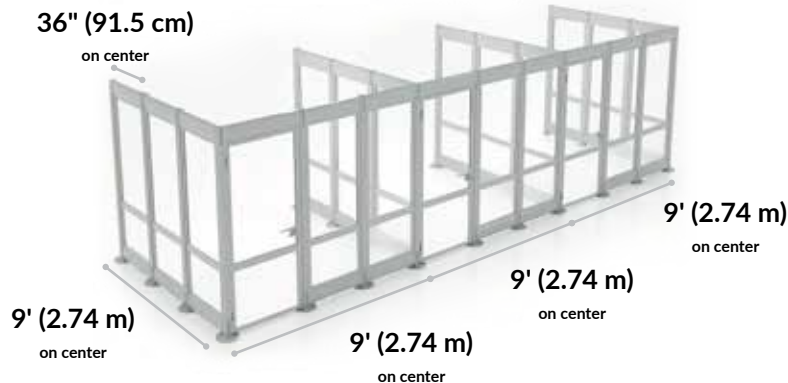
With QuickFlex Walls®, you can build an office or conference room in no time without needing a single tool. Each panel features tempered glass and a heavy-duty aluminum frame that sets up easily using our patent-pending quick-locking system, and optional wall and ceiling anchors are available to allow you to set up in any space. QuickFlex Walls® are designed with a silver finish that complements any professional workspace.

- Patent-Pending Quick-Locking System
- Heavy-Duty Aluminum Frame
- Simple Assembly
- Door Kits Available
- Writable Tempered Glass Surface

Finishes: Slate Silver

Top Panel: Glass Glass Frosted Frosted Frosted White Board Frosted Felt Felt

Lower Panel: Glass Glass Frosted Frosted Frosted White Board Frosted Felt Felt



# QuickFlex Walls® - Accessories

vari®

Designed to enhance our QuickFlex Walls®, our line of accessories makes it easy to create an office or conference room that meets your unique needs. Whether you need stability or a power strip, we've got you covered.



## Stability Brace

The Stability Brace attaches to the bottom of QuickFlex Walls® for additional stability.

Finishes:  Slate  Silver



## PowerStrip Bracket

Conveniently add a power strip to any QuickFlex Wall® with our Power Strip Bracket.

Finishes:  Slate



## Stability Rail

The Stability Rail attaches to the top of QuickFlex Walls® for additional stability.

Finishes:  Slate  Silver



## Anchor Base Plate

The Anchor Base Plate provides additional stability in compliance with seismic code requirements.

Finishes:  Slate  Silver