

QuickFlex Cubes™

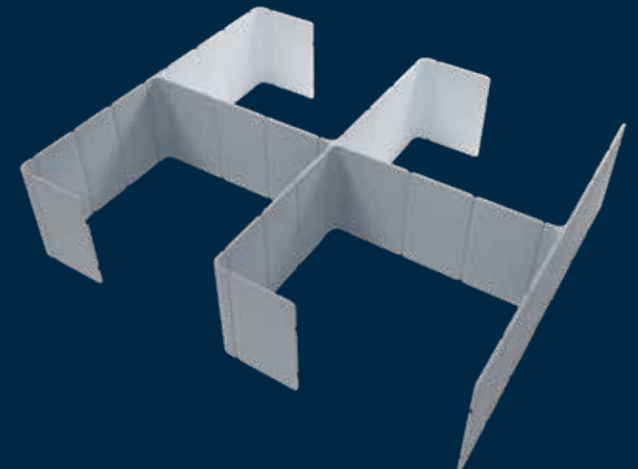
vari®



Too Cool To Be Cubicles.

The way we work has changed; it's time for cubicles to change, too. Introducing QuickFlex Cubes™ from Vari®.

These light, interlocking panels and connectors allow you to quickly add workstation privacy, collaboration hubs, focus pods, and more without the hassle or expense of old-fashioned cubicles.



Modular Cubicles

Reduce visual distractions, create privacy for workstations, and bring smart space division solutions to your office design.

Quiet the Noise

The fabric finish and high-density foam core allow the panels to absorb and dampen sound, helping control noise levels in the office.

Durable, Tackable Material

Individual spaces can be personalized by using thumbtacks to hang notes, pictures, or decorations on the panels. The durable polyester fabric has been treated to resist stains and be water repellent, making panels easy to clean and maintain.

PANEL FABRIC



Mist Gray

FEET/ACCESSORIES



Black

QuickFlex Cubes™ 30" Panel



QuickFlex Cubes™ 24" Panel

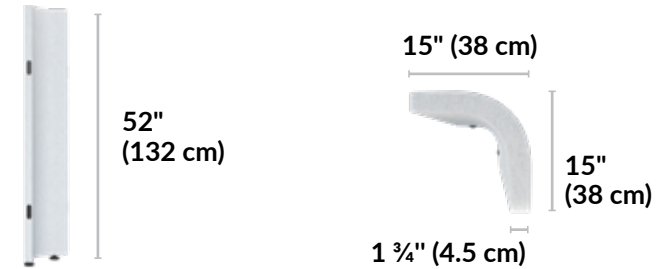




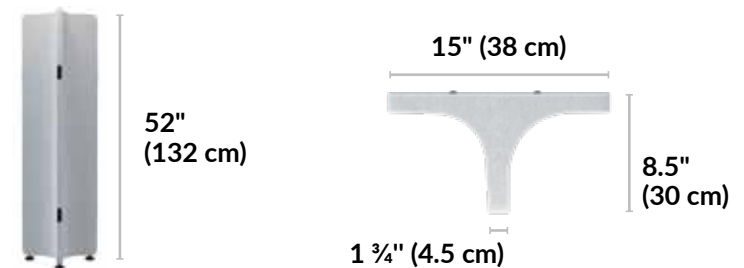
Ultimate Adaptability

Each part of the QuickFlex Cubes™ system helps build infinite possibilities for your team setup. Mix and match the L, T, and X-shape connectors to make the cubicle system that best fits your space.

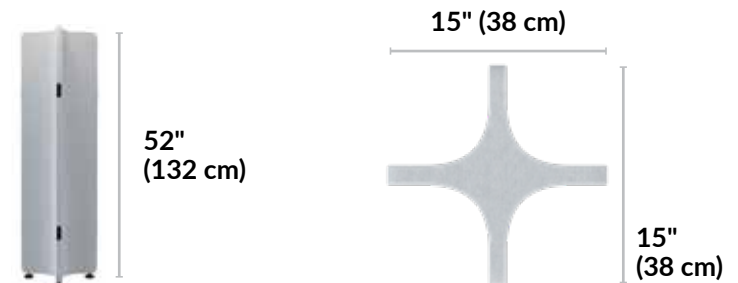
QuickFlex Cubes™ L Connector



QuickFlex Cubes™ T Connector



QuickFlex Cubes™ X Connector



QuickFlex Cubes™ — Accessories

vari®

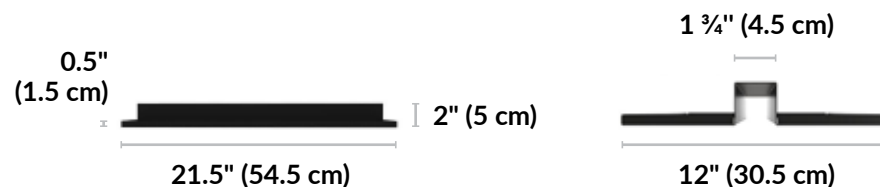
The QuickFlex Cubes™ accessory line is created to give each space more and storage and organization tools to elevate your workday. Keep up with important tasks or dates with the marker board, keep your tools of trade close with the pen holder, or customize your space with the hanging and overhead shelves.



Black

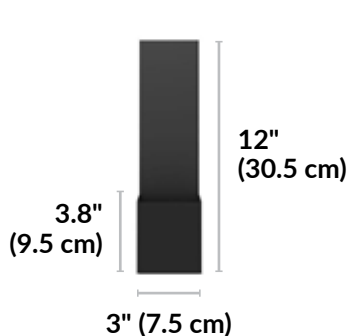
Top Shelf

Weight Capacity
10 lb (4.5 kg) *weight needs to be distributed evenly*



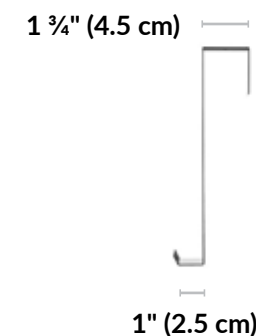
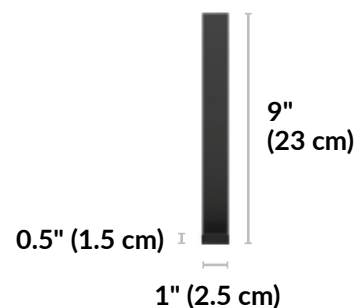
Pen Holder

Weight Capacity
5 lb (2.27 kg)



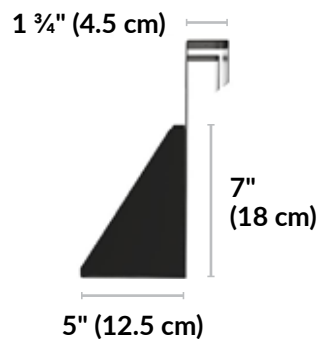
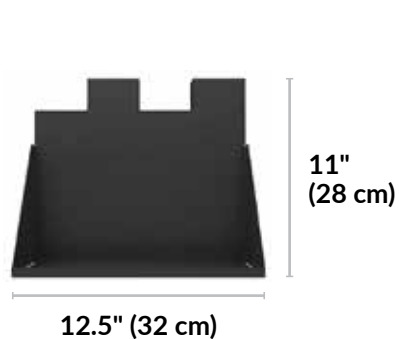
Hook

Weight Capacity
5 lb (2.27 kg)



Hanging Shelf

Weight Capacity
10 lb (4.5 kg)



Marker Board

