

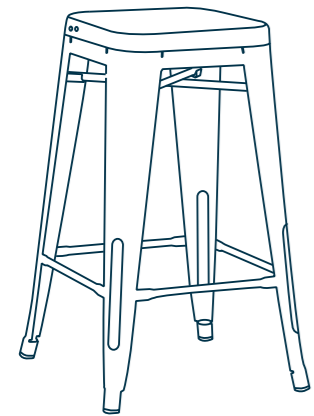
Metal Conference Chair



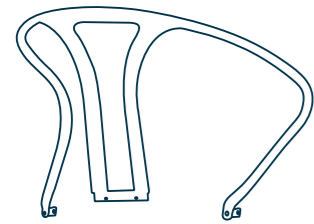
Holds up to
300 lb (136 kg)

vari[®]

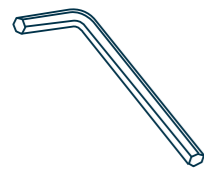
1



x2



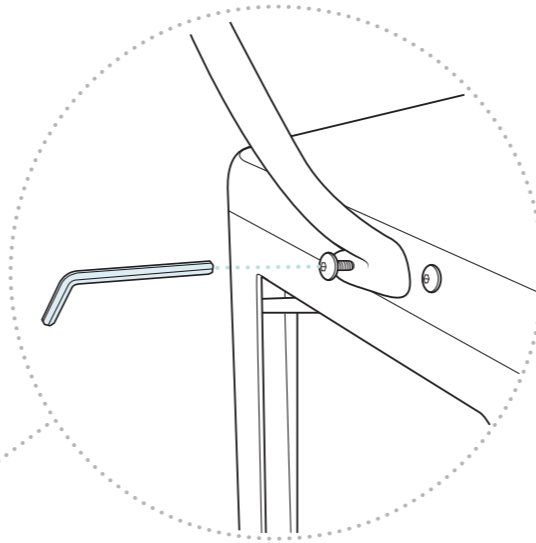
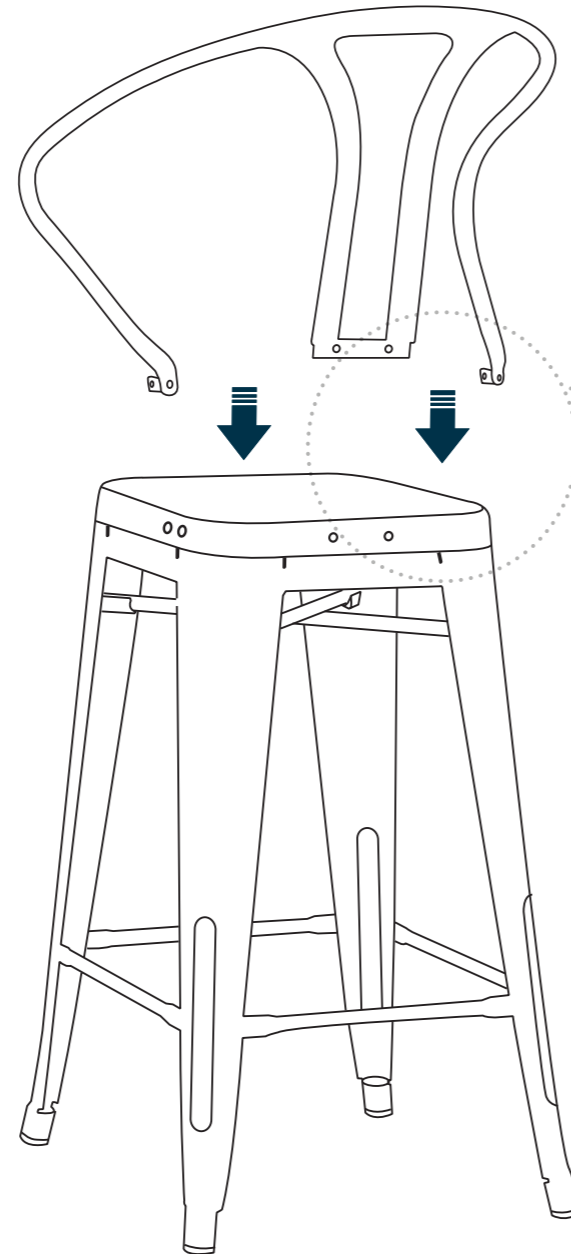
x2



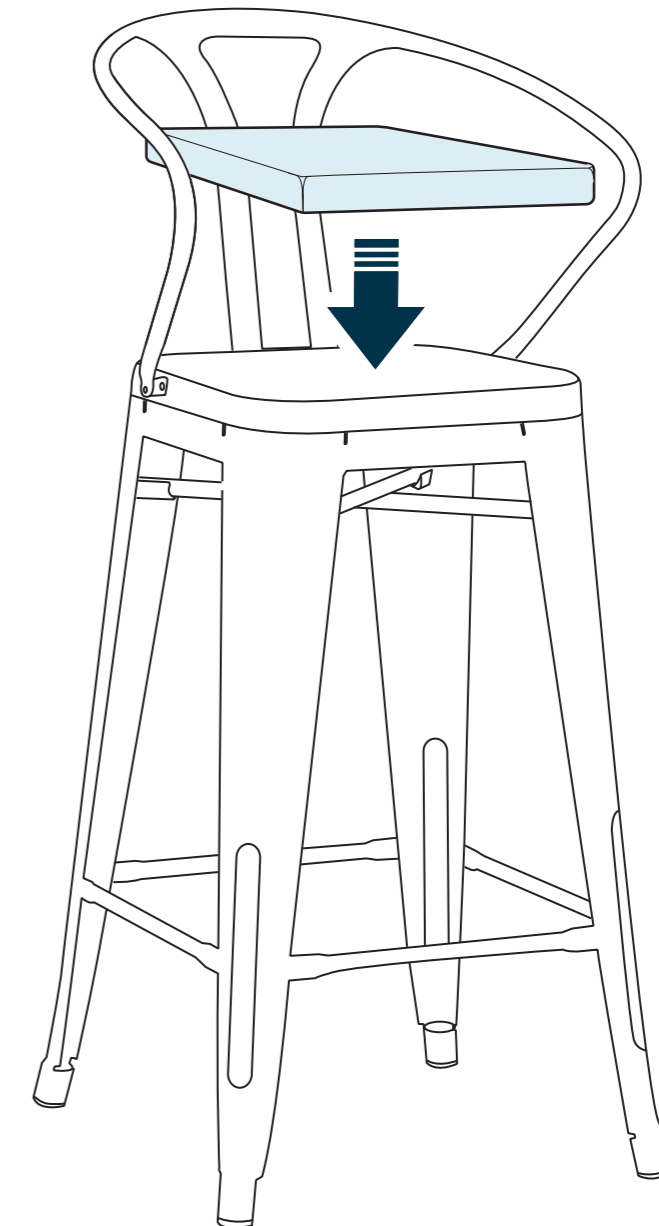
x1



x12



2



Align the back support screw holes with the matching holes in the chair. Use fingers to place and turn each screw into the holes until all 6 are in place. Use the provided Allen wrench to fully tighten all screws.

Add the optional cushions by placing them on the seat.



(800) 207-2587



WARNING: To prevent injuries and product failure, do not use this chair for standing, climbing, or leaning. Do not use if the chair is damaged or incorrectly assembled.