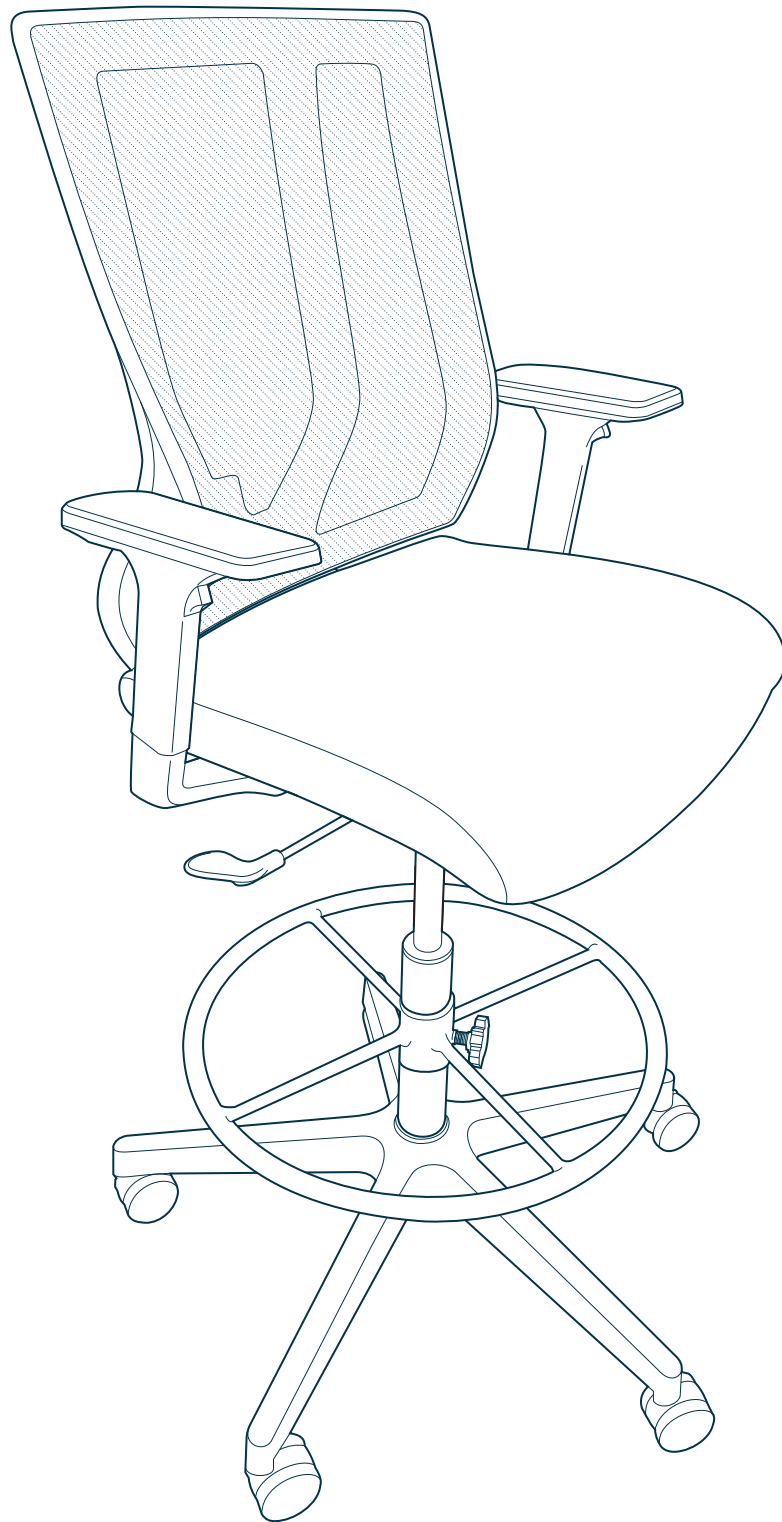


# Drafting Chair

vari<sup>®</sup>



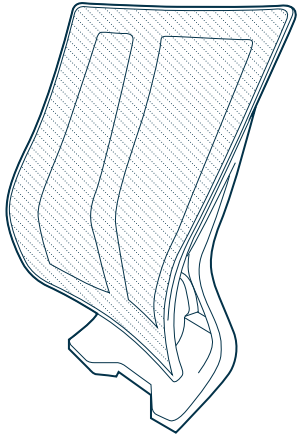
# Drafting Chair Assembly



2 People  
Recommended



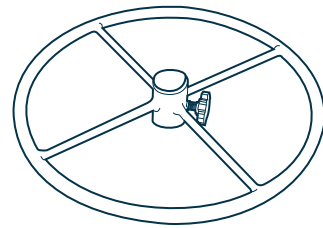
Holds up to  
300 lb (136 kg)



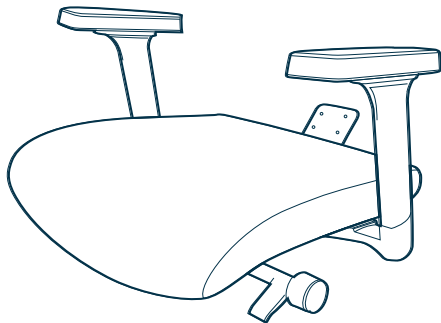
CHAIR BACK **x1**



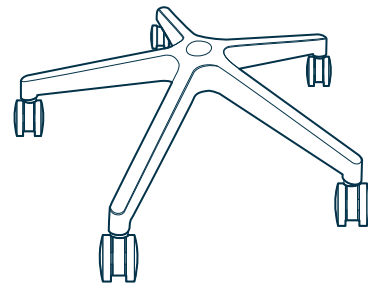
AIR PISTON **x1**



FOOT RING **x1**



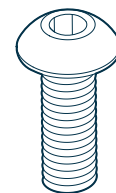
CHAIR SEAT **x1**



BASE **x1**

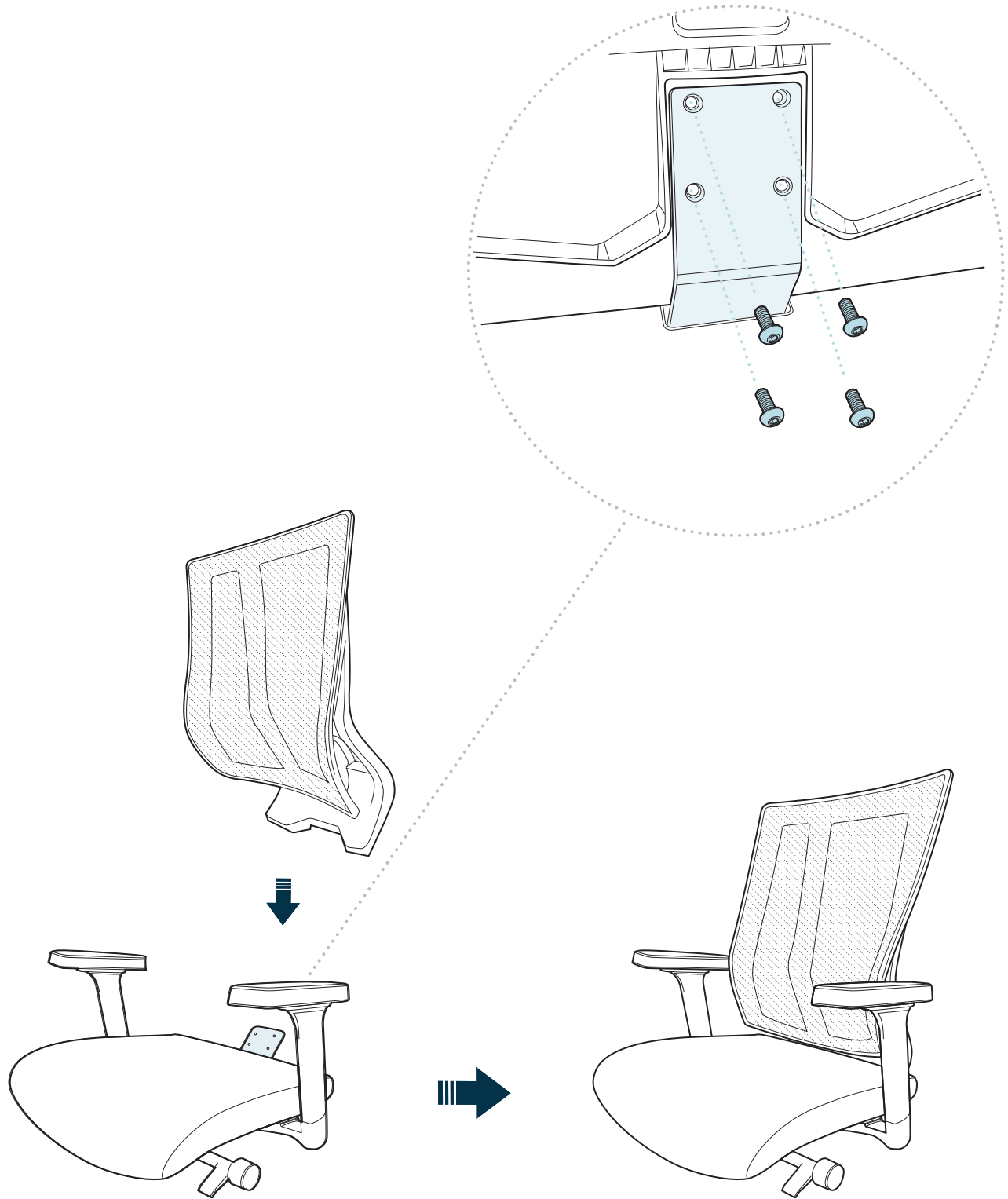


ALLEN KEY **x1**



HEX BOLT **x4**

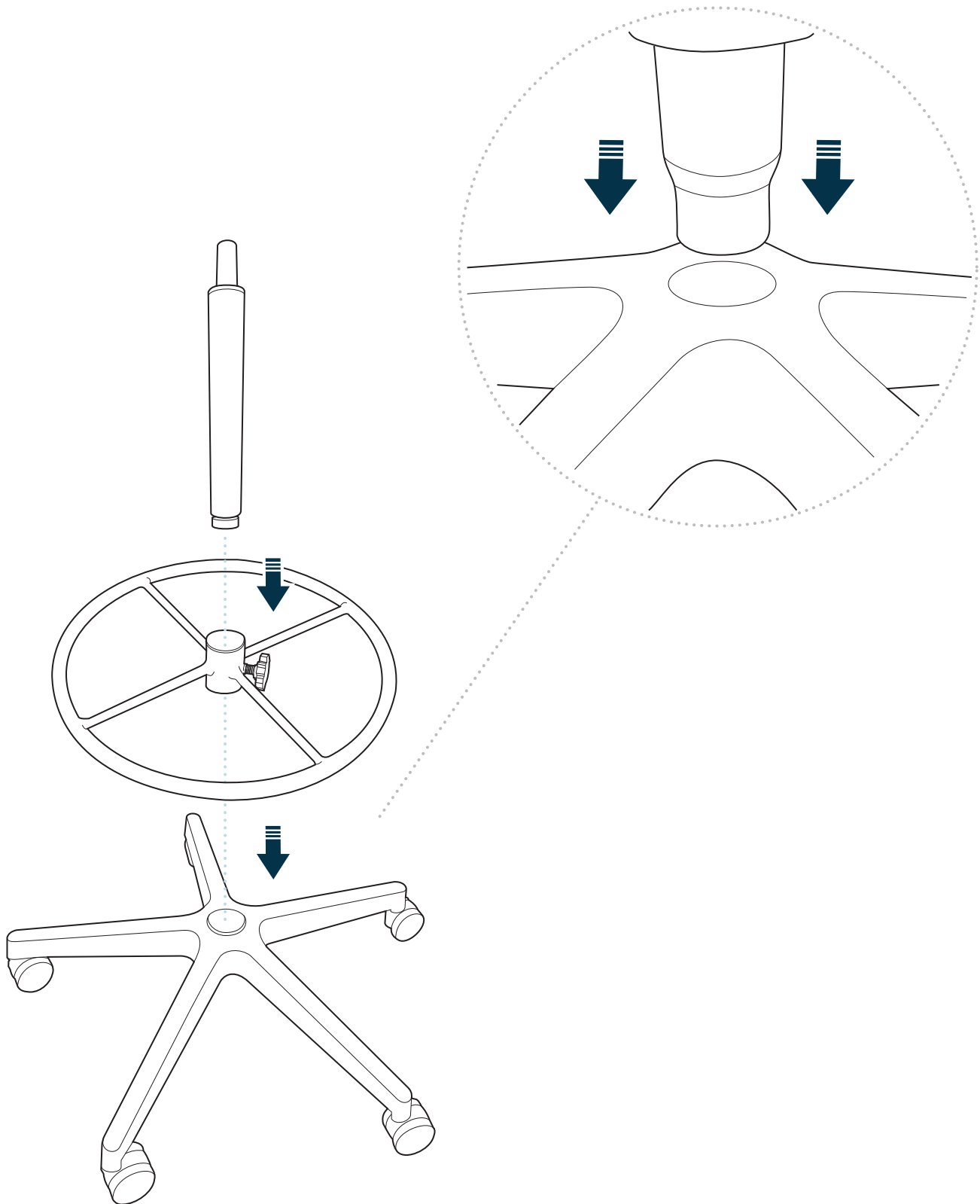
1



Remove the chair back, chair seat, hex bolts, Allen key, foot ring, air piston, and base from the box.

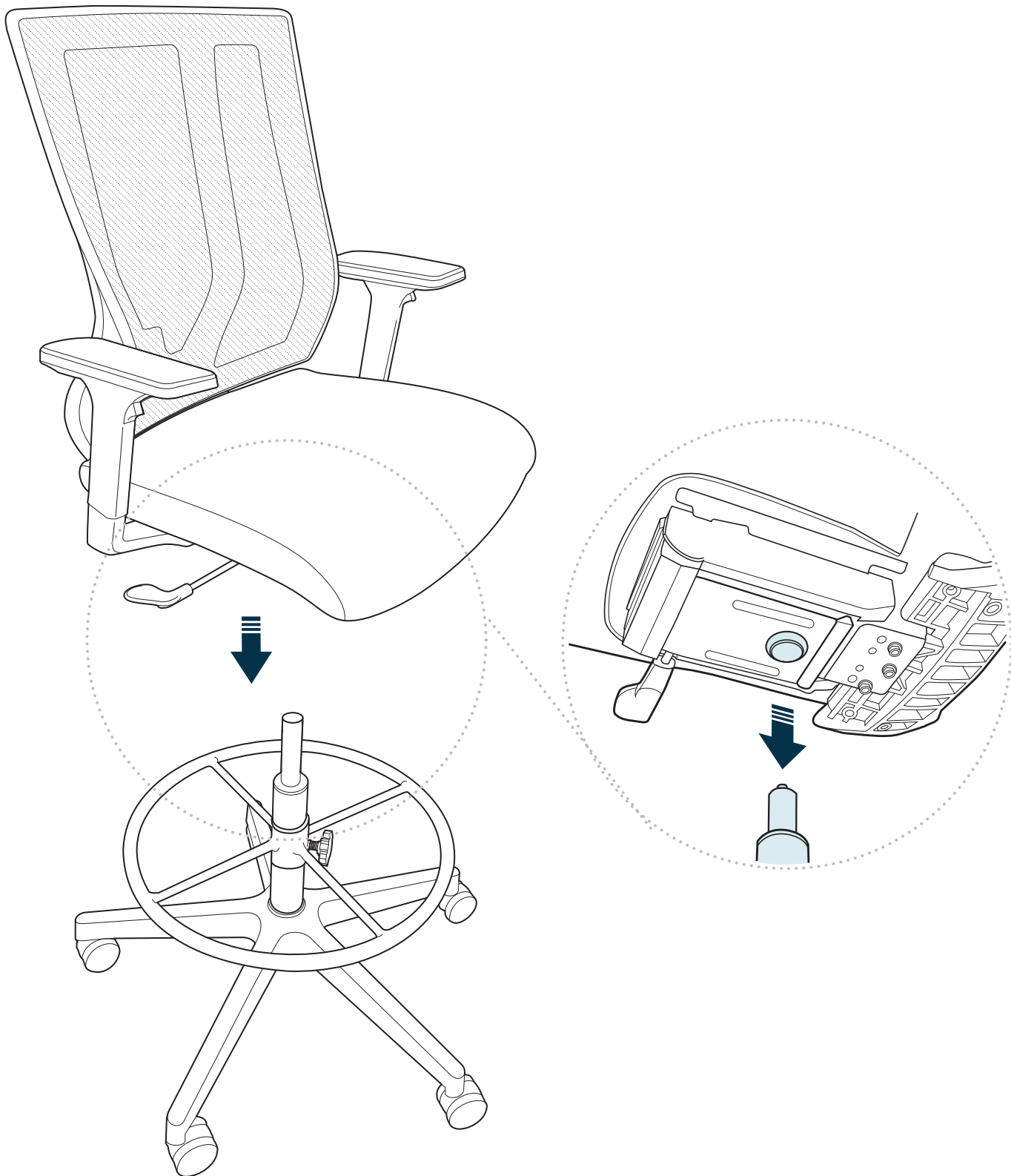
Align the back of the chair with the steel plate attached to the seat. Using the four bolts provided, fasten the plate to the back of the chair with the provided Allen key.

2



With the large end down, insert the piston through the foot ring (holes facing down) and into the base. With the piston firmly in place, slide the foot ring to the desired position, and turn the attached knob to the right to secure it in place.

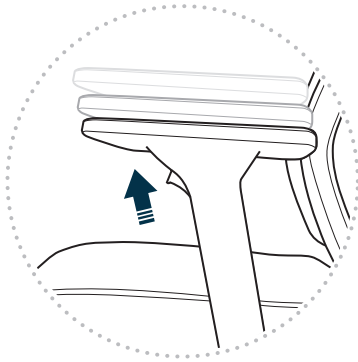
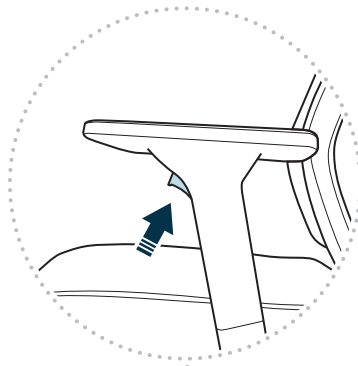
3



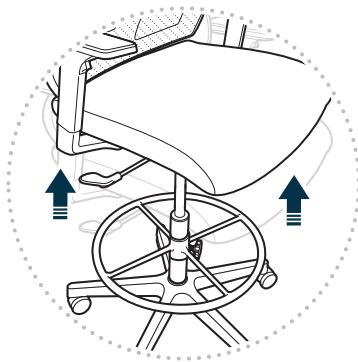
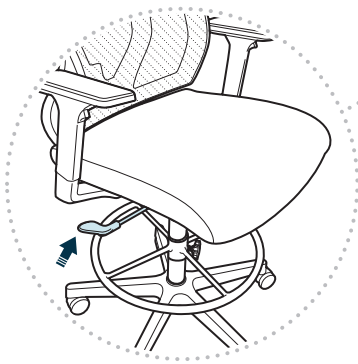
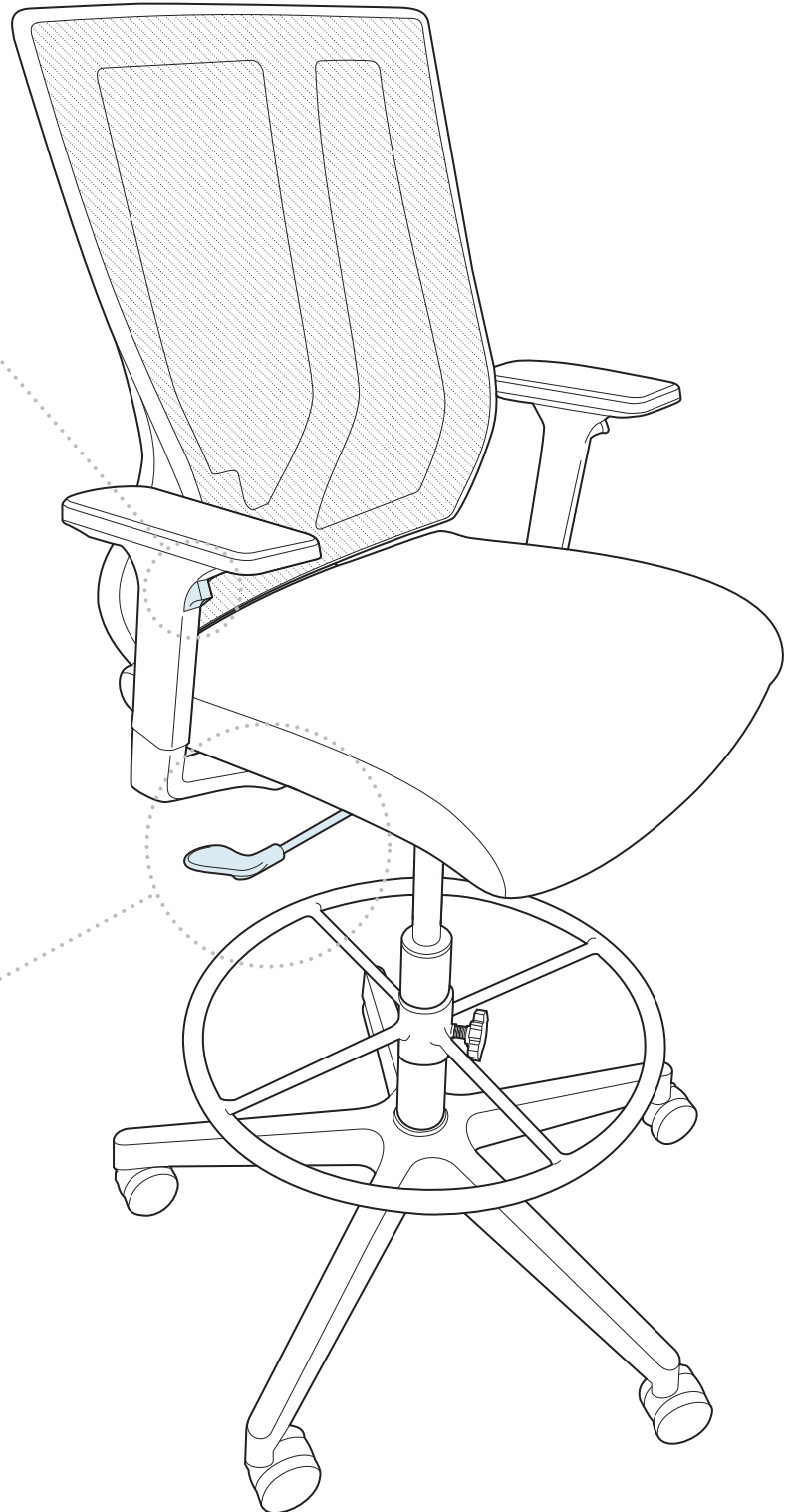
If the piston has a protective cap on the top, remove it before proceeding. Line up the hole underneath the seat with the top of the piston and base assembly. With another person's assistance, carefully lower the chair back onto the piston. Using even pressure, press down firmly on the seat cushion a few times to ensure the seat is fully engaged with the piston.

**CAUTION:** Once the chair is assembled, do not attempt to disassemble the chair, as doing so could damage the product.

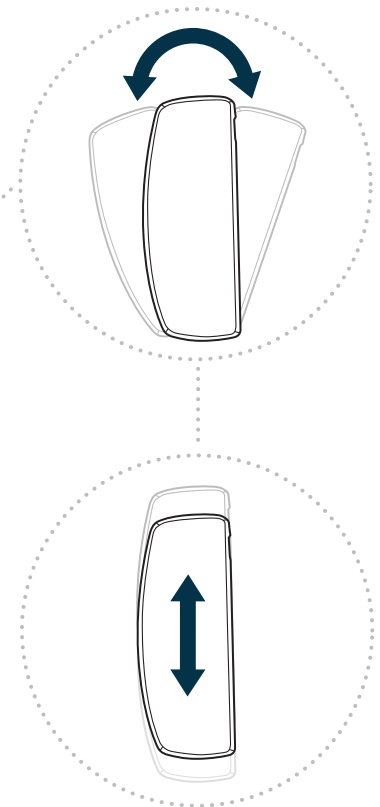
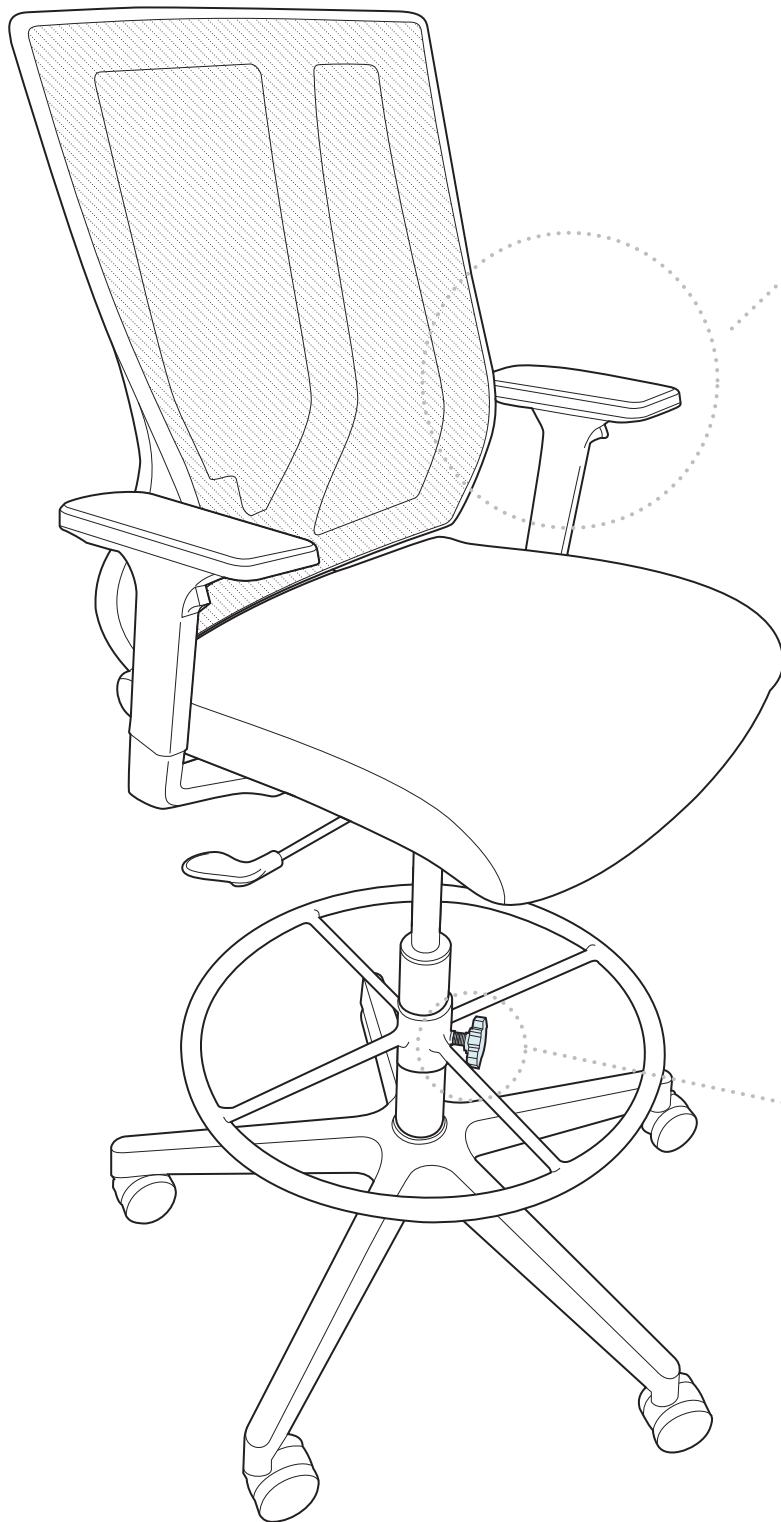
# Drafting Chair Adjustments



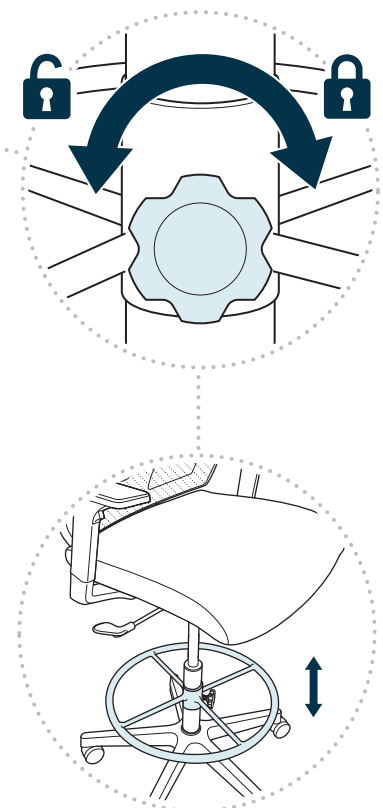
To adjust the arm height, press the button under the armrest and pull up or push down on the armrest.



To adjust seat height, use the lever under the right side of the chair seat.



To angle the arms or slide arms from front to back, push arms accordingly.



To adjust the foot ring height, turn the attached knob to the left to loosen the ring, move the ring up or down to the desired position, and turn the knob to the right to secure the ring in place.



**WARNING:** To prevent injuries and product failure, do not use this chair for standing, climbing, or leaning. Do not use if the chair is damaged or incorrectly assembled.



**(800) 207-2587**