

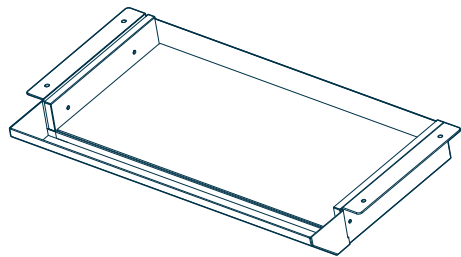
# Desk Drawer



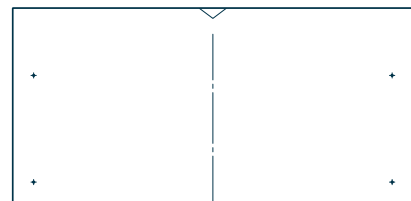
Holds up to  
10 lbs (4,54 kg)

# vari®

## INCLUDED PARTS FOR ASSEMBLY



DESK  
DRAWER  
**x1**



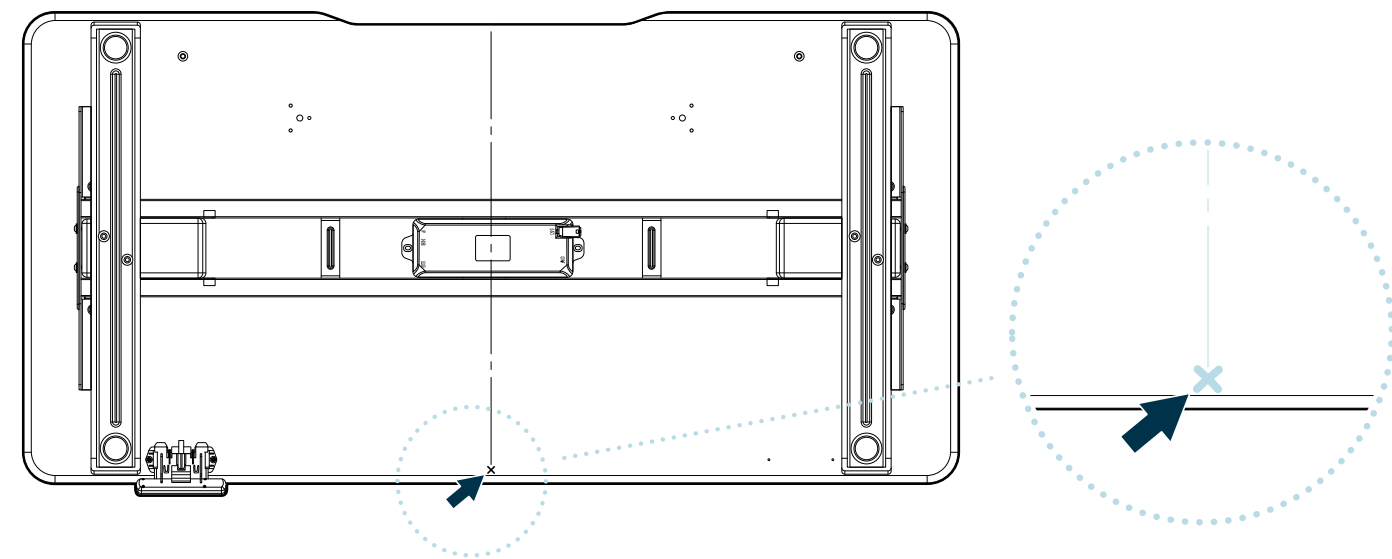
TEMPLATE  
**x1**



#10 X 5/8"  
**x4**

**NOTE:** The latest Vari Electric Standing Desk models will come with pre-drilled holes underneath the desktop for the Vari Desk Drawer and Undermount Storage. First, check and see if your desktop has pre-drilled holes. If not, proceed with step 1. If your desktop does have pre-drilled holes, align the product with the pre-drilled holes and screw in with the provided screws.

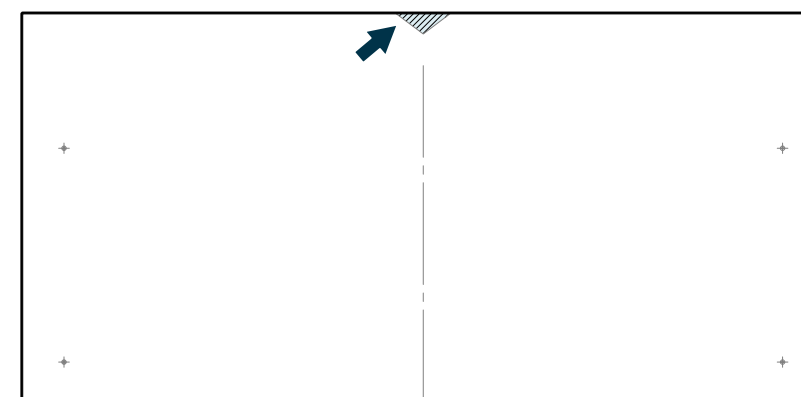
**1**



Measure your desk from both outer edges to find the center point. Mark this point on the front edge of the desk.

**NOTE:** Prior to installation, check for any obstructions underneath the desktop that might hinder proper product function. We recommend only installing it on the Vari Electric Standing Desks 48x30, 60x30, and 72x30. If installing on a non-Vari product, ensure the desktop is at least 20mm (0.78") in thickness to ensure you don't drill too far.

**2**



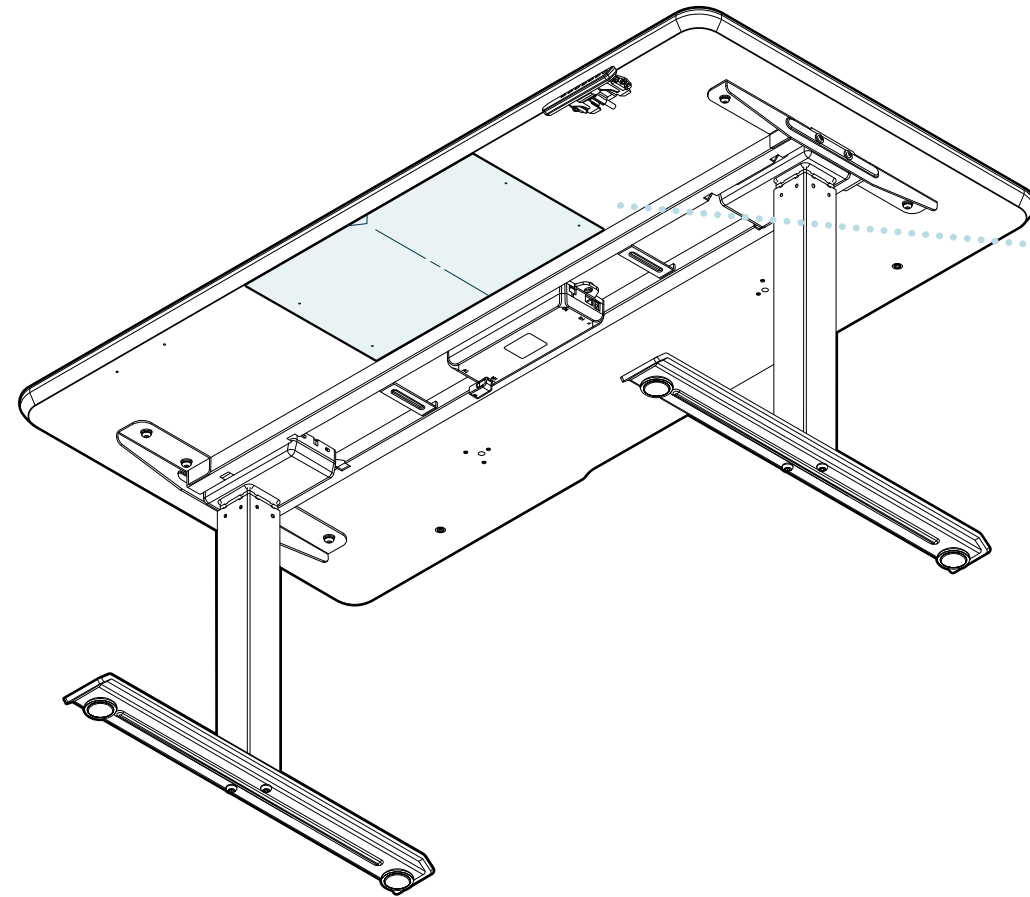
Use scissors to cut out the triangle on the template.

## Tools Needed *(Not Included)*

- DRILL WITH 1/8" BIT
- PHILLIPS SCREW DRIVER OR IMPACT DRIVER
- TAPE
- SCISSORS
- MARKER

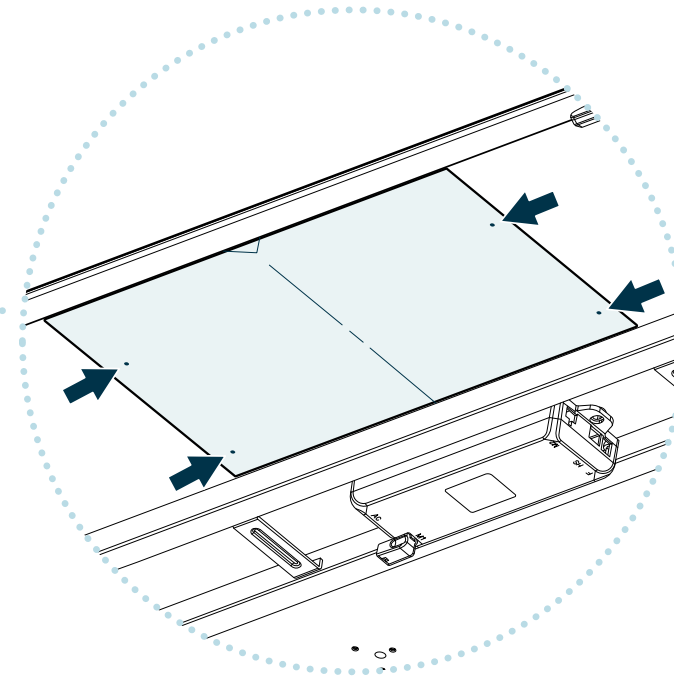


3



Align the point of the triangle on the template with the mark you made on the desk. Make sure that the template is flush with the edge of the frame and the edge of the desk.

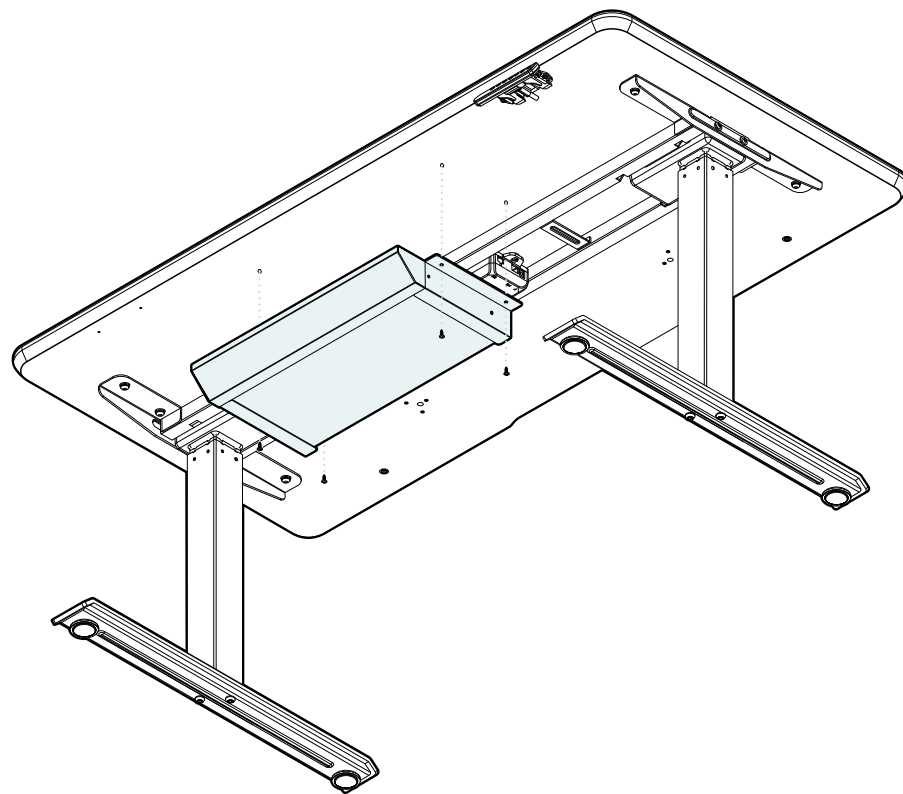
4



Mark the 4 holes on the template on the desk. Remove the template. Use a drill (not included) with a 1/8" (3.2 mm) bit to make your pilot holes, no deeper than 1/2".

**NOTE: Measure 1/2" (12.7 mm) from the tip of your drill bit, then place a piece of tape at this mark or use a marker to ensure that you don't drill too far.**

5



Hold the Desk Drawer in place while using 4 screws and the #2 Philips screwdriver (not included) to secure the Desk Drawer in the pilot holes.

