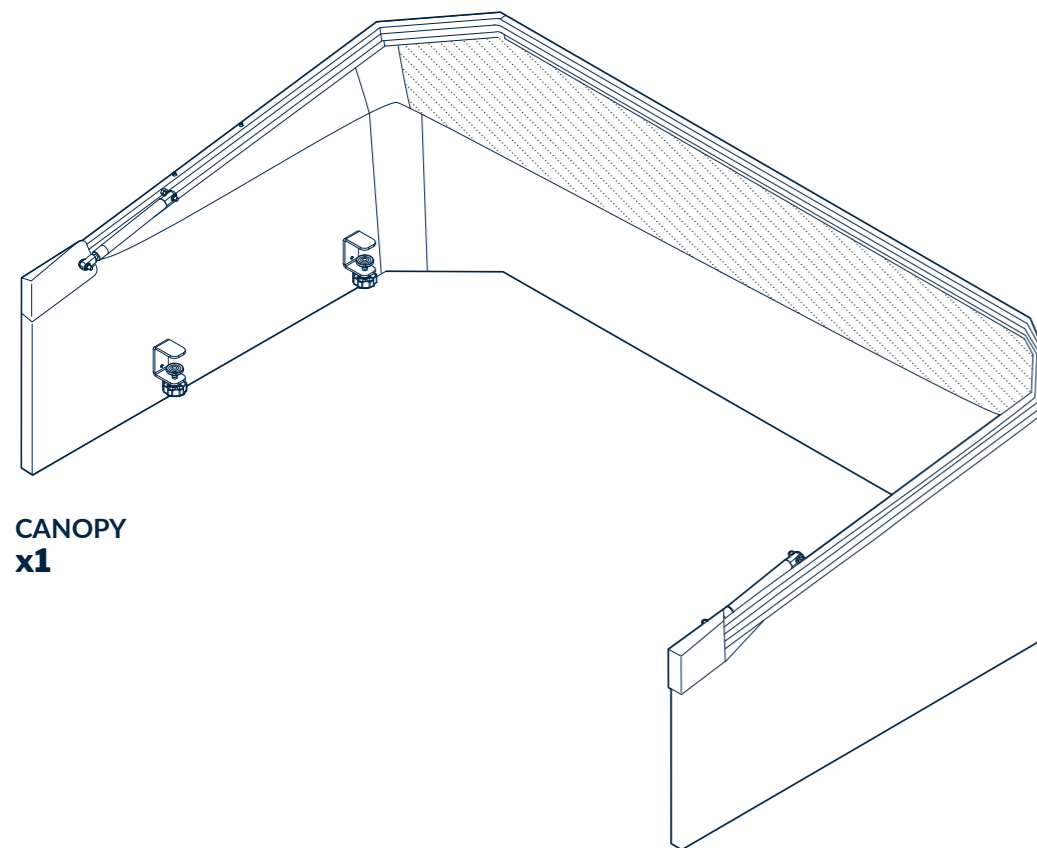


VariFocus™ Canopy



vari®

Inventory Parts

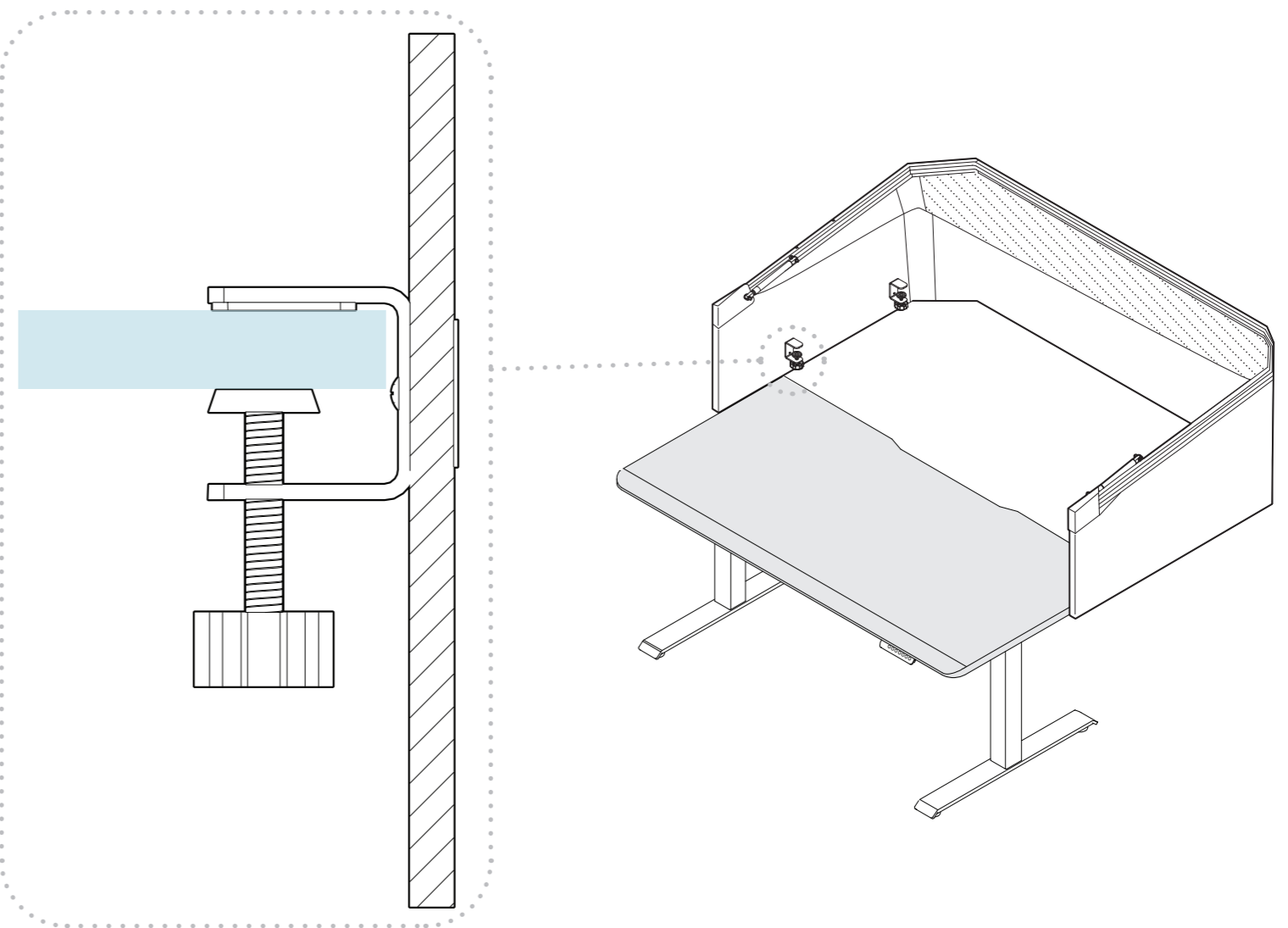


Note: The VariFocus™ Canopy is designed to work with Vari Electric Standing Desks 60x30. If installing on a non-Vari product, ensure that the desk surface is at least 60" wide, 20" deep, and no thicker than 1.5".

Installation

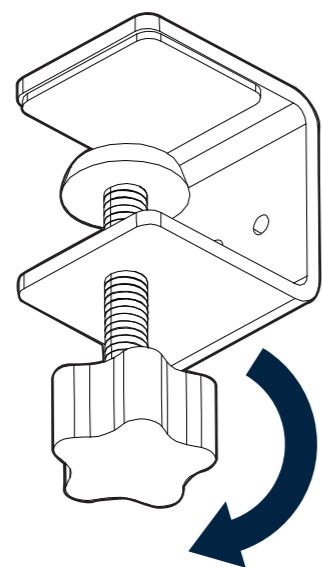
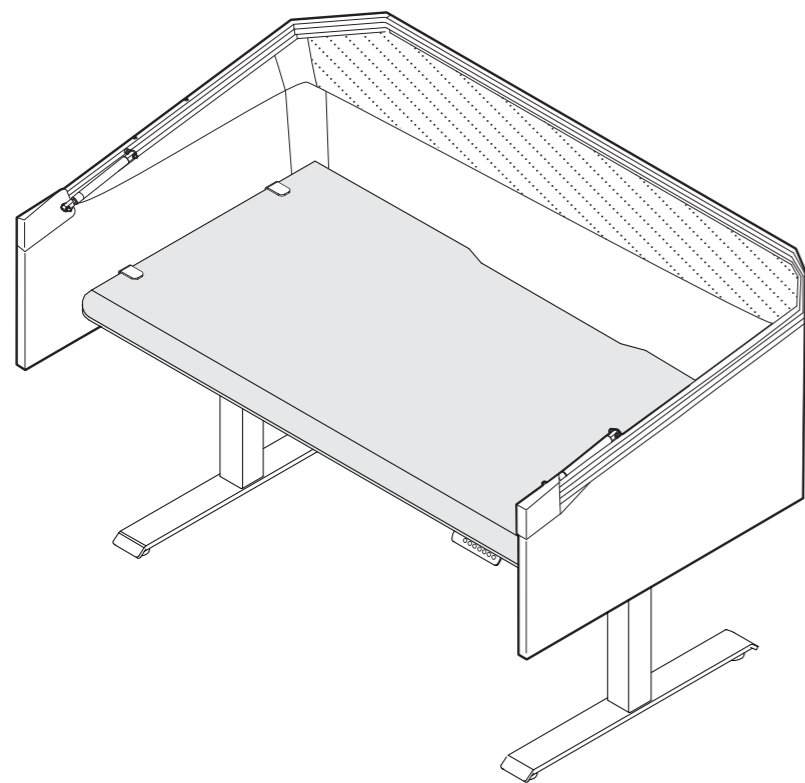
The Canopy ships with the clamps pre-attached and sides folded in. Simply remove it from the box and unfold the sides. Before installing check for any obstructions around, underneath, and above the desktop. To ensure proper product function, there should be a minimum depth clearance of 41".

1



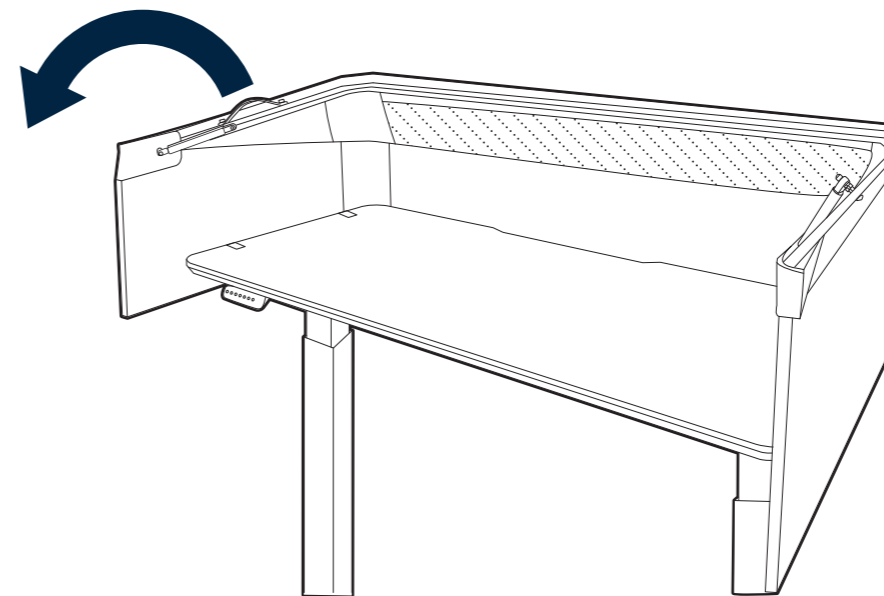
Turn the knobs on the Clamps to widen the bracket to match the thickness of the desk surface (Between 1"-1.5" maximum-thickness).

2

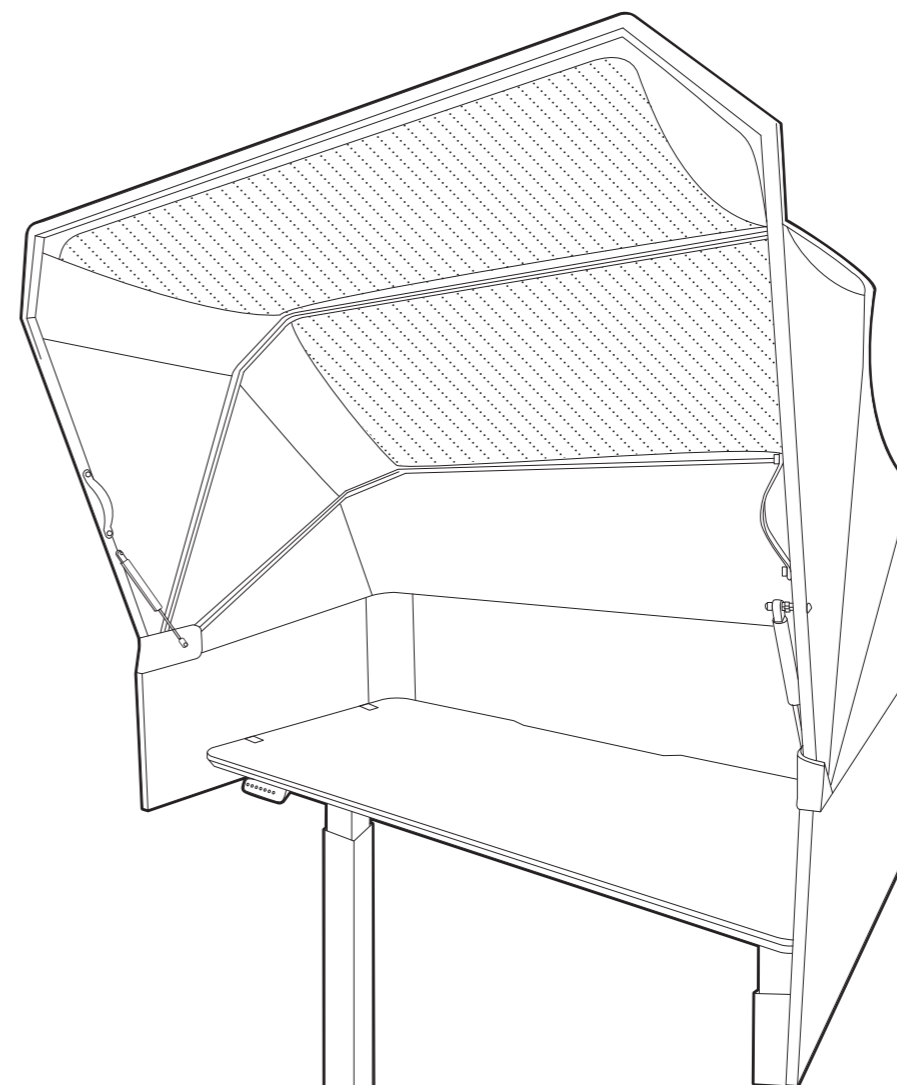


Slide the Clamps onto the edge of the desk surface and turn the knobs to secure the Canopy to the desk.

How to Use



Grab the handles and pull up towards you to lift the Canopy when you want to work without visual distractions. To collapse the Canopy, grab the handle and gently push it back down.



Note: Before extending it, make sure the Canopy is clear of any obstructions. The top of the Canopy extends 47" above the desk surface at the highest point. Exercise caution when raising your standing desk with the Canopy extended for the first time.