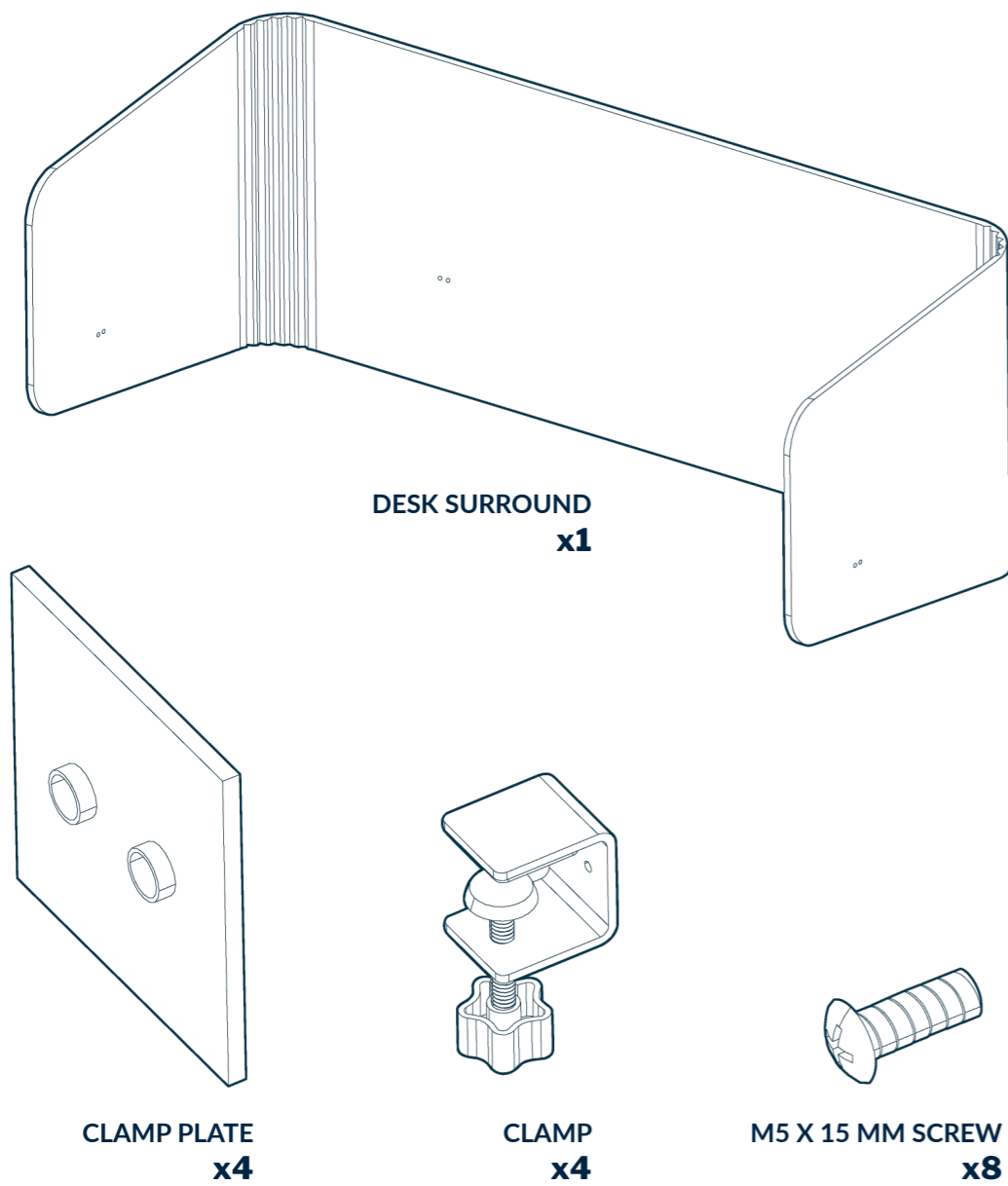
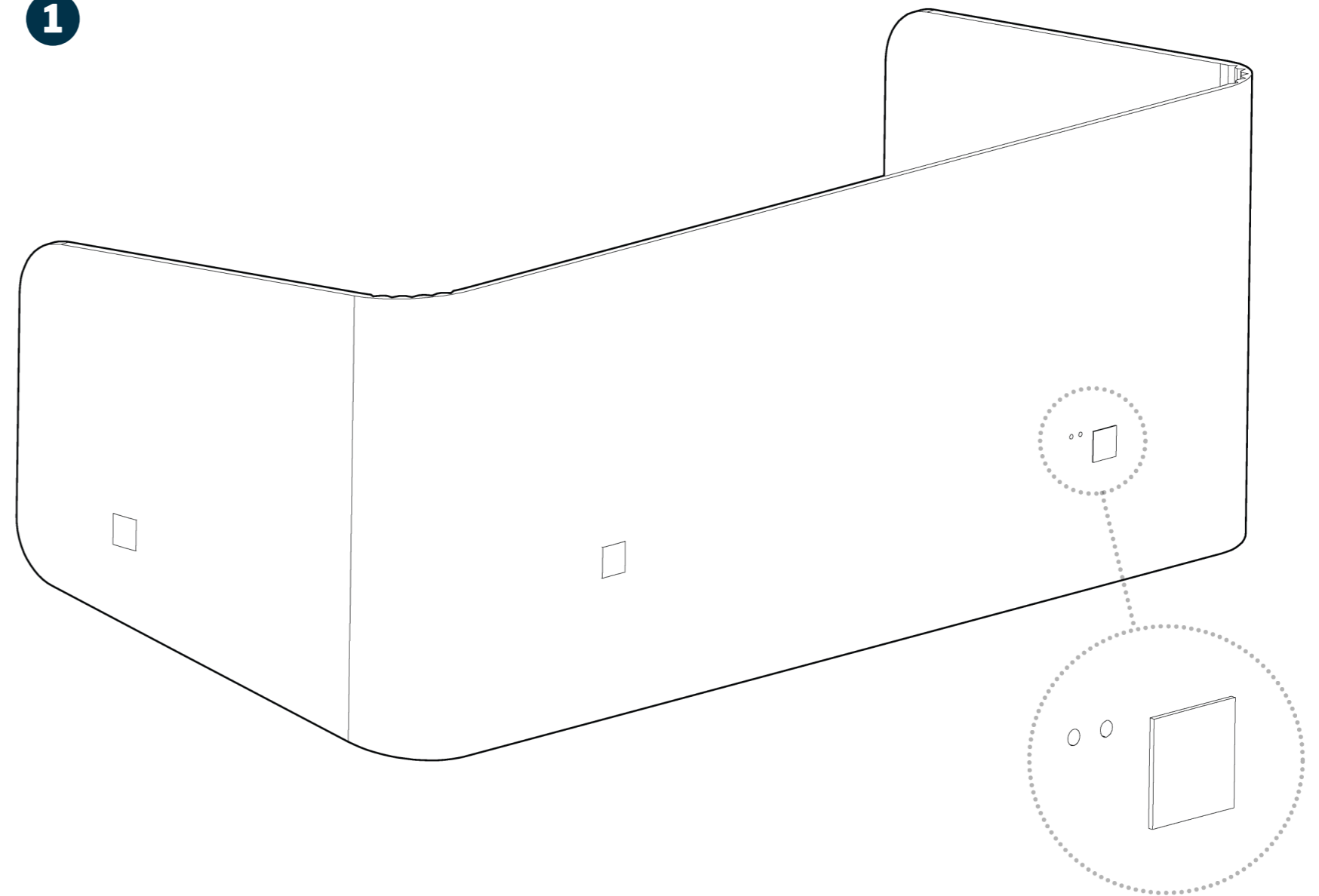


Privacy Desk Surround

vari®



1

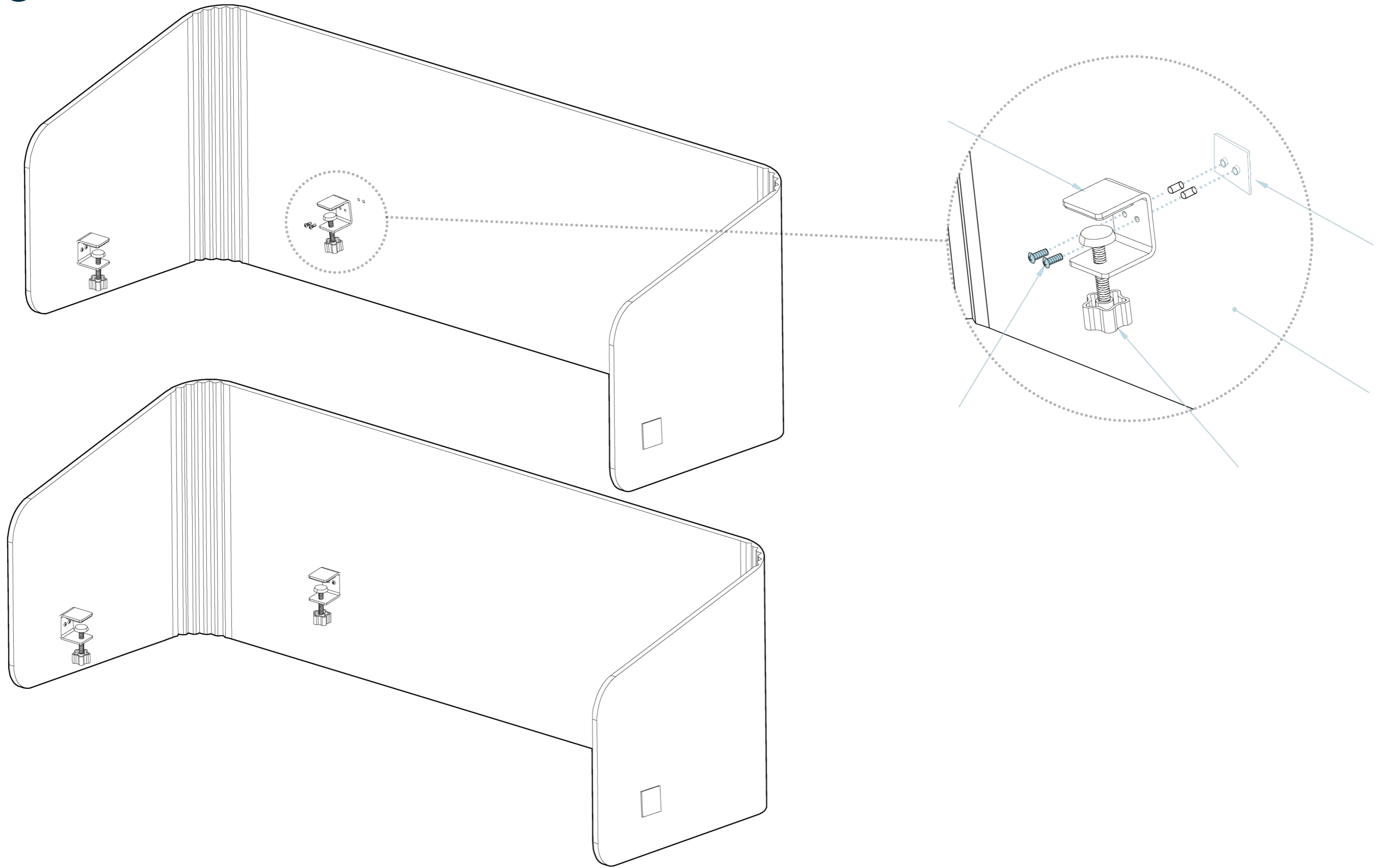


Push the protruding edges of the Clamp Plate into the holes in the desk surround. Use two Clamp Plates on the back and one on each side. **Note: The Privacy Desk Surround is only compatible with Vari Electric Standing Desks 60" x 30" and 60" x 24".**

Tools Needed (Not Included)

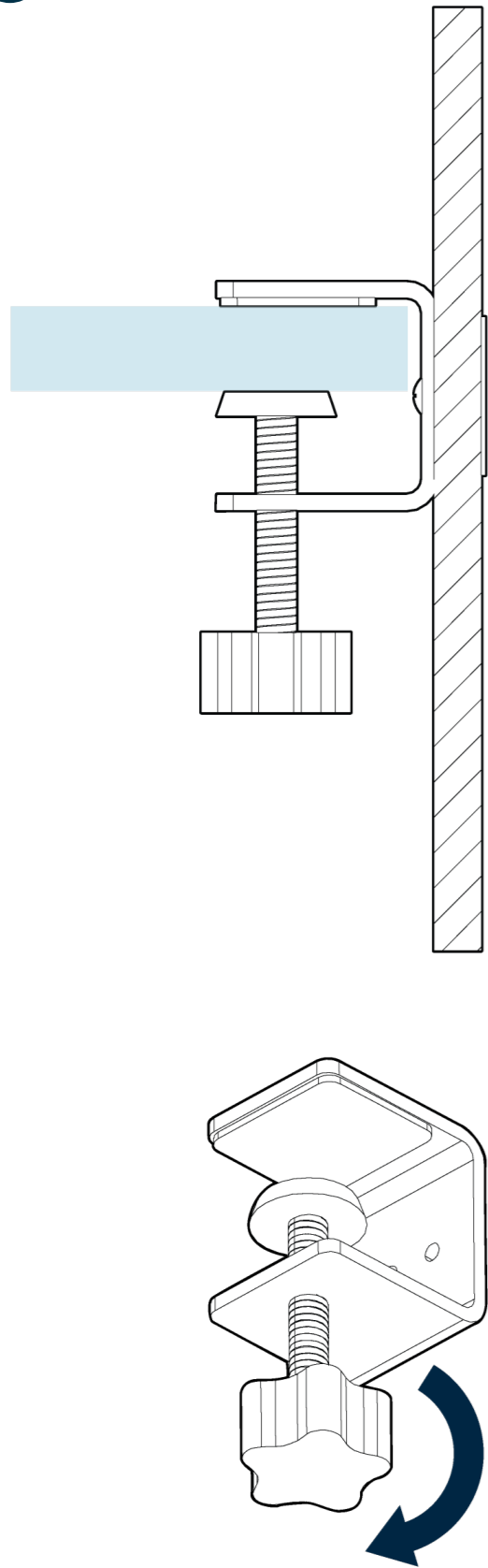
- PHILLIPS SCREWDRIVER

2



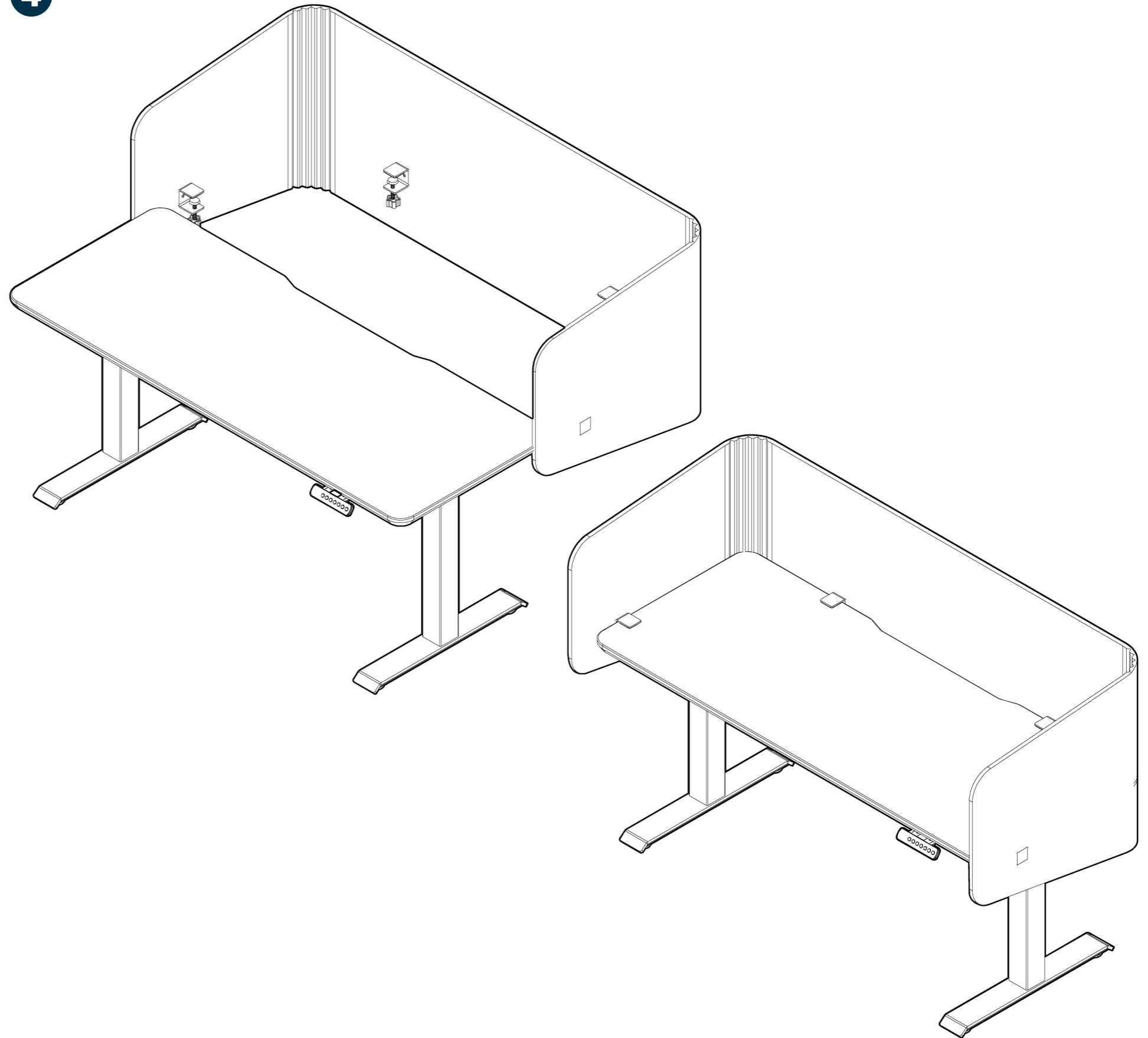
On the inside, align the two holes in the Clamp and insert the screws. Use a Phillips head screwdriver to tighten. Repeat this step for the remaining Clamps

3



Turn the knobs on the Clamps to widen the bracket to match the thickness of the desk surface.

4



Slide the Clamps onto the edge of the worksurface and turn the knobs to secure the Desk Surround to the desk.



CAUTION: Inserting push pins, tacks, or hooks into the panels may cause surface damage and is not recommended.



(800) 207-2587