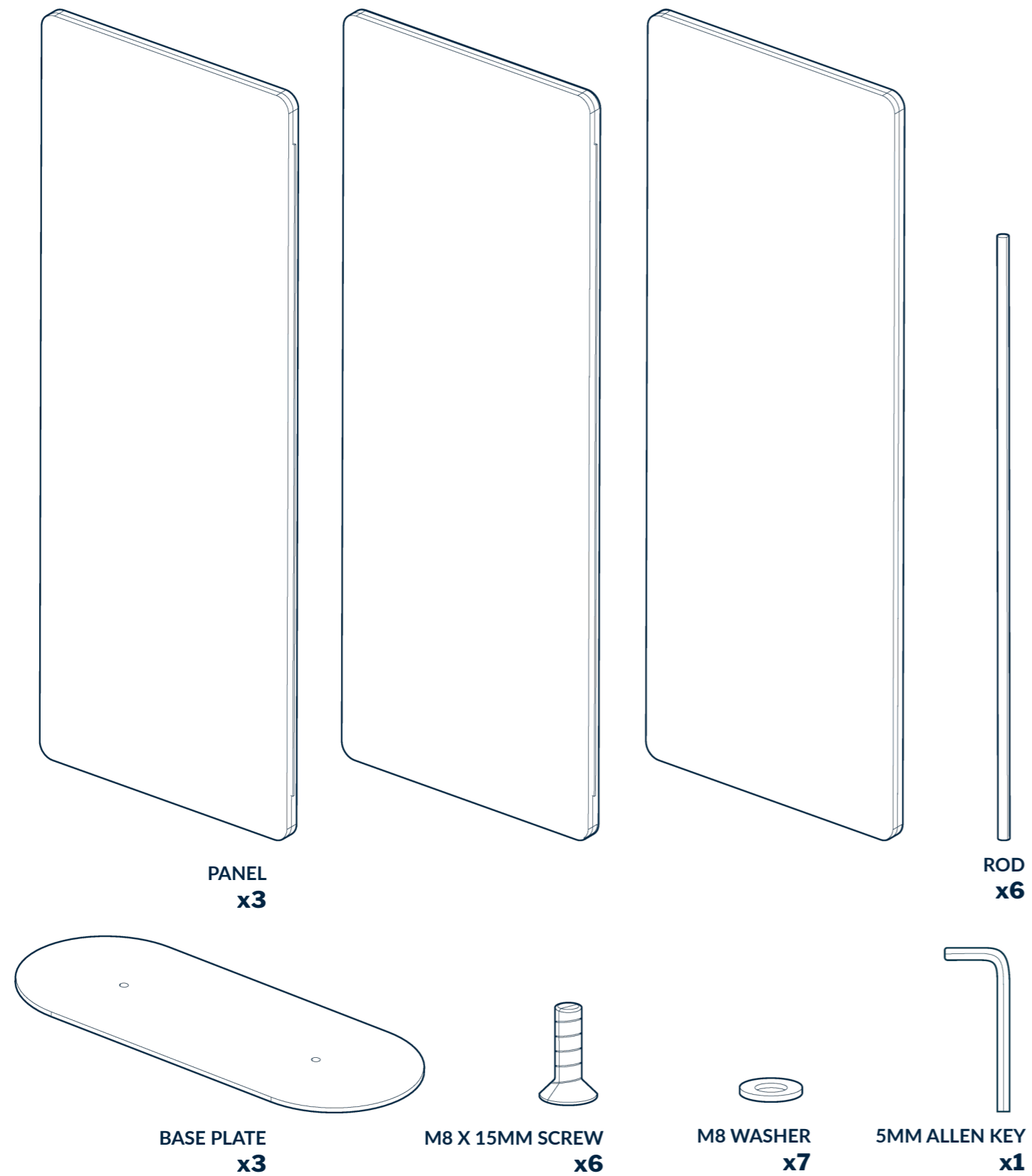
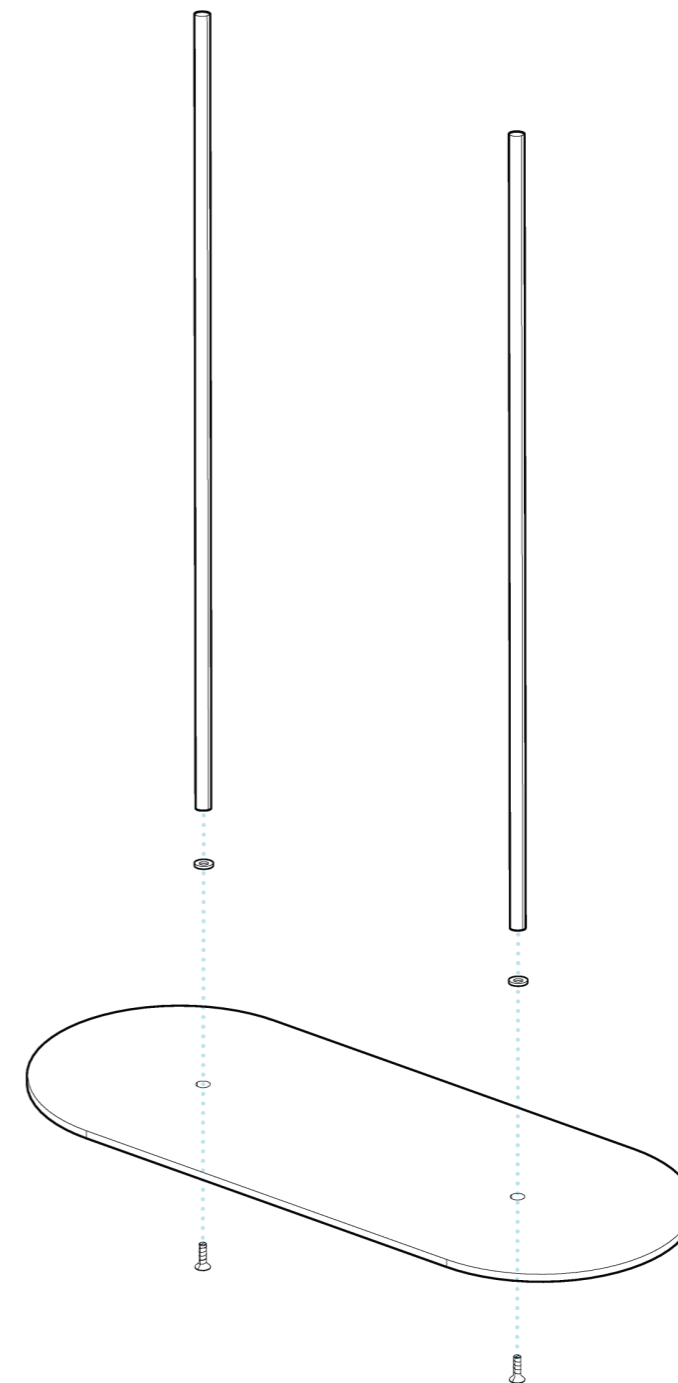


Privacy Screen

vari®

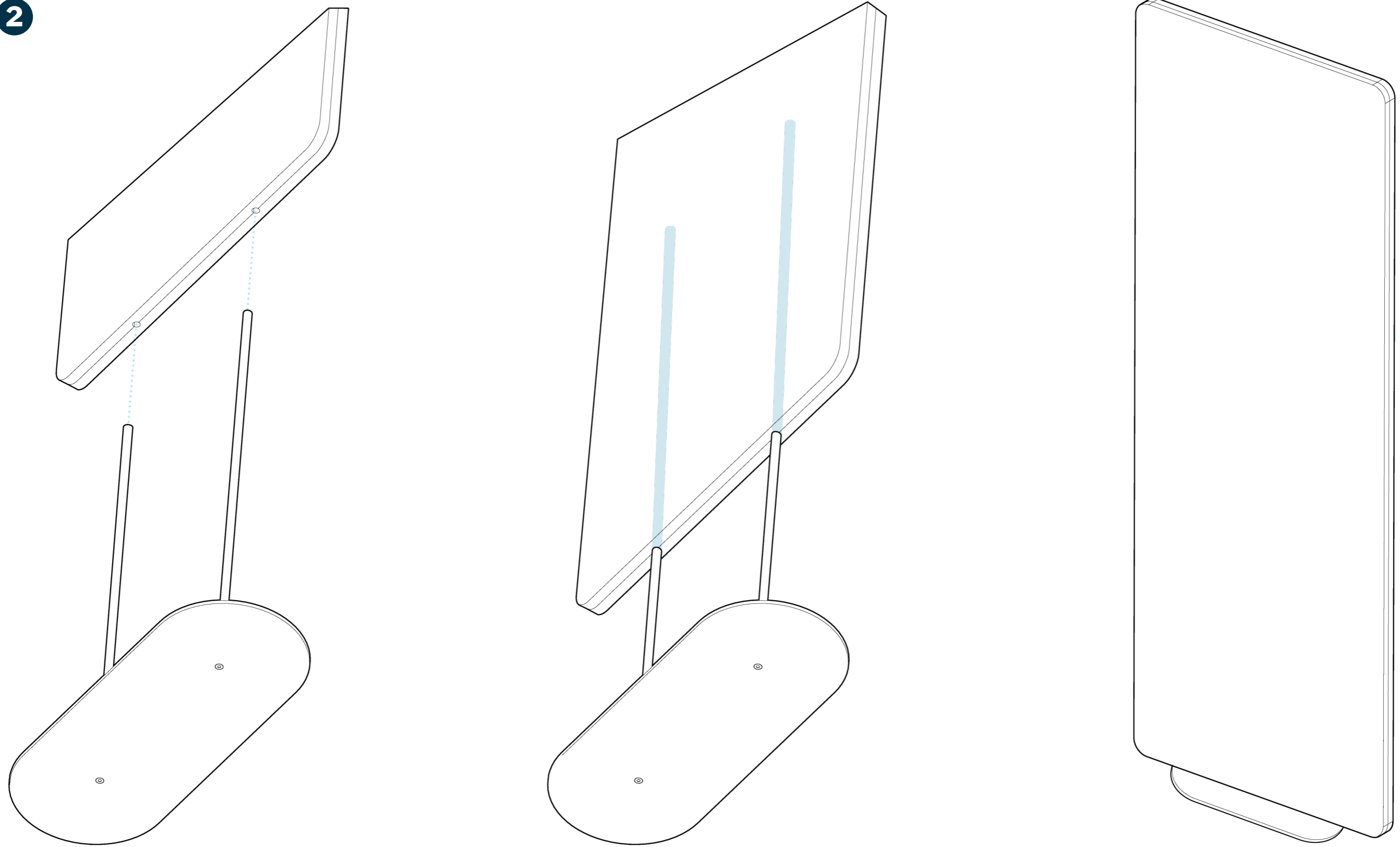


1



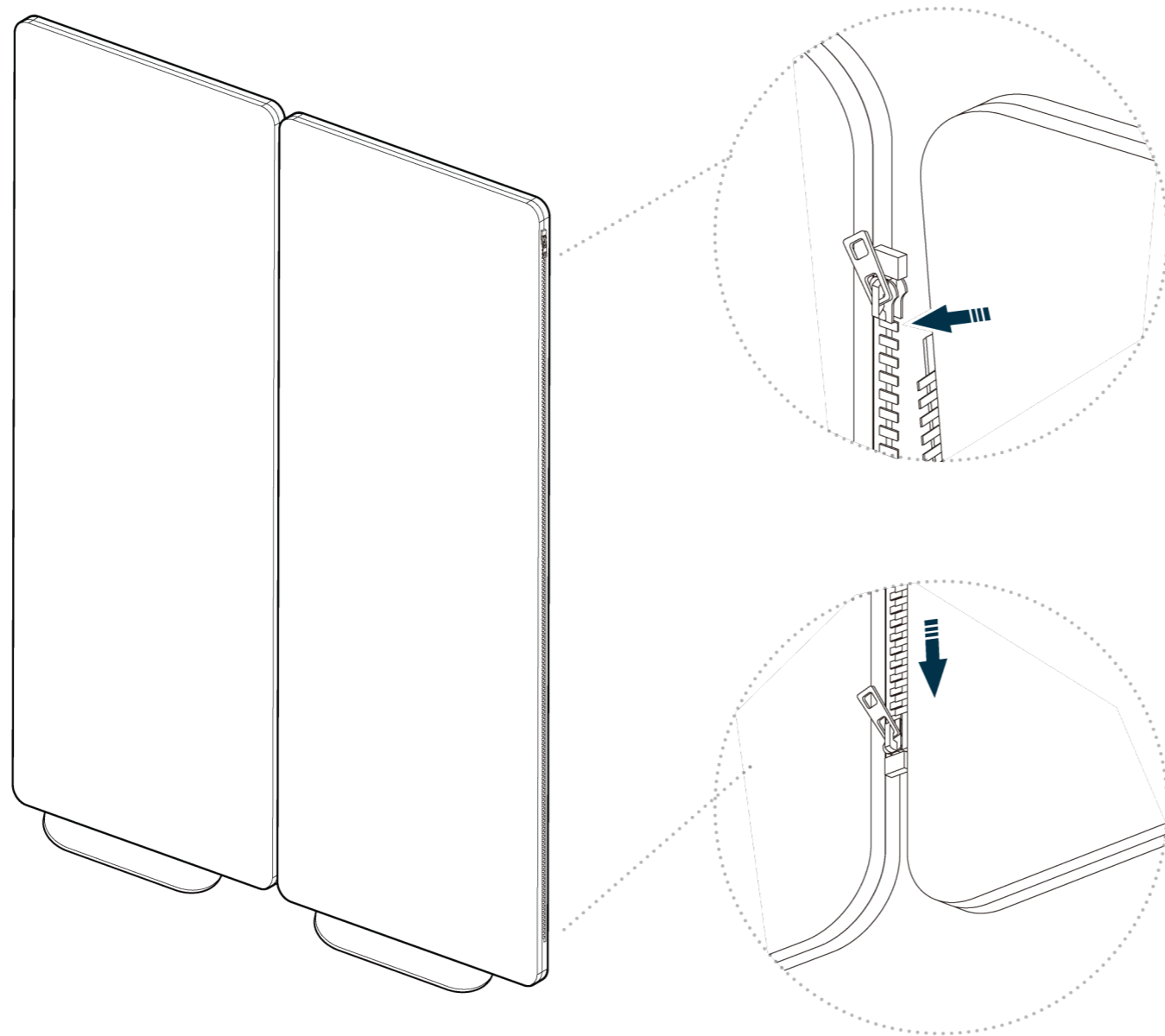
Insert the screws through the base plate, thread the washer on and screw into the metal rods. You can use a 5 mm Allen key to tighten the screw.

2



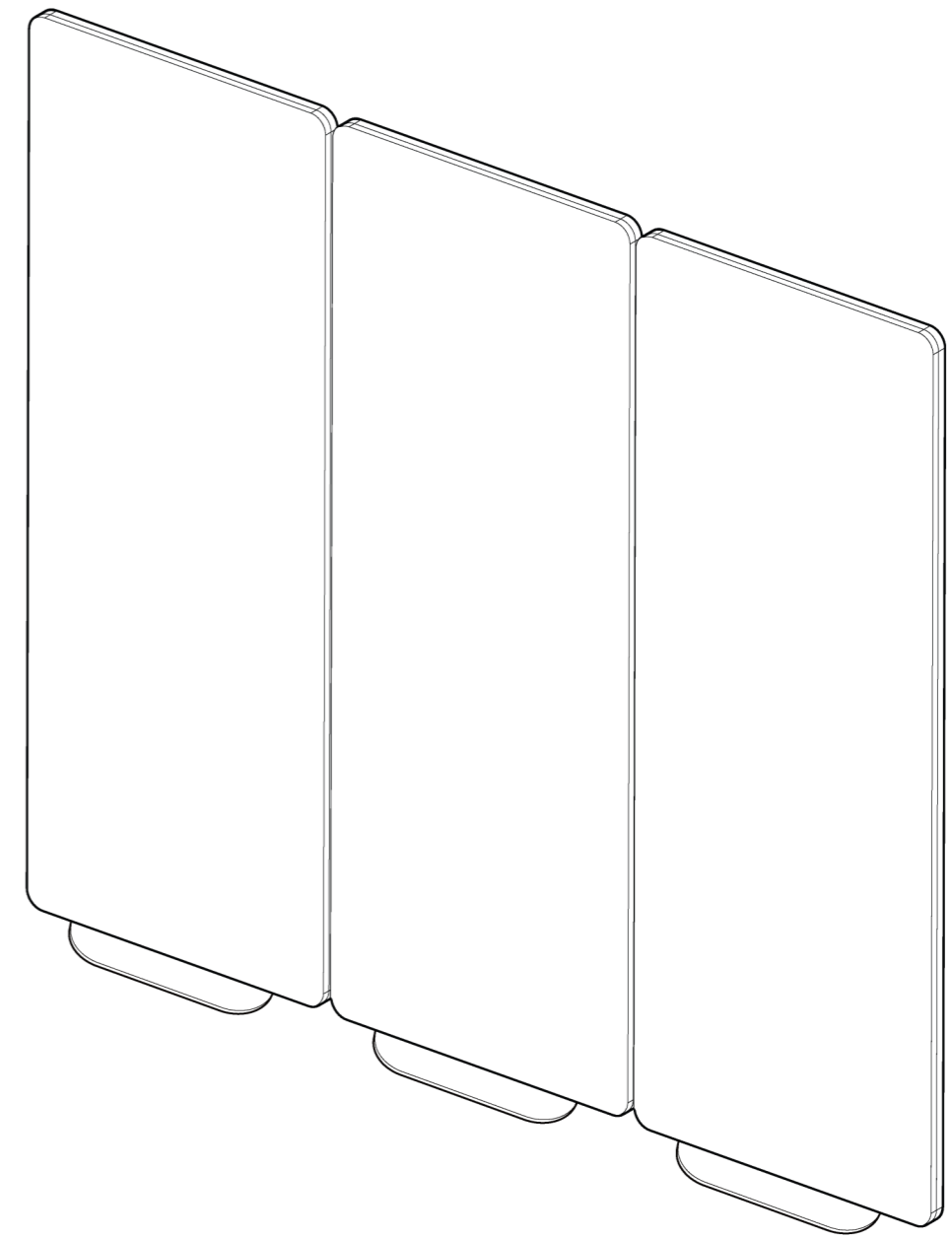
Align the holes in the bottom of the screen and slide the rods in until the panel touches the base plate.

3



The Privacy Screen Panels can be used as freestanding panels or combined to create a panel system. If you are assembling it as a panel system, align the zipper ends and zip down to connect panels.

4



Attach the third panel to complete setup.