

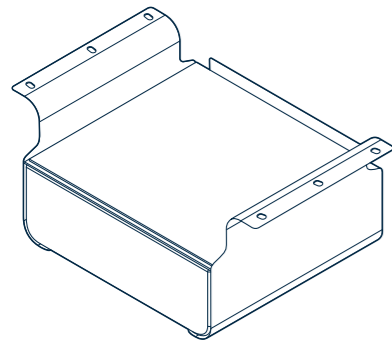
Undermount Storage



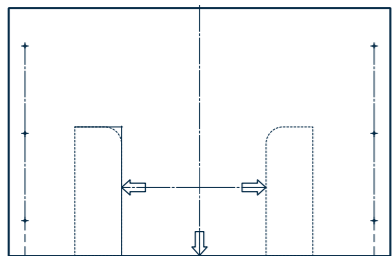
Holds up to
20 lbs (9,07 kg)

vari®

INCLUDED PARTS FOR ASSEMBLY



UNDERMOUNT
STORAGE
x1



TEMPLATE
x1



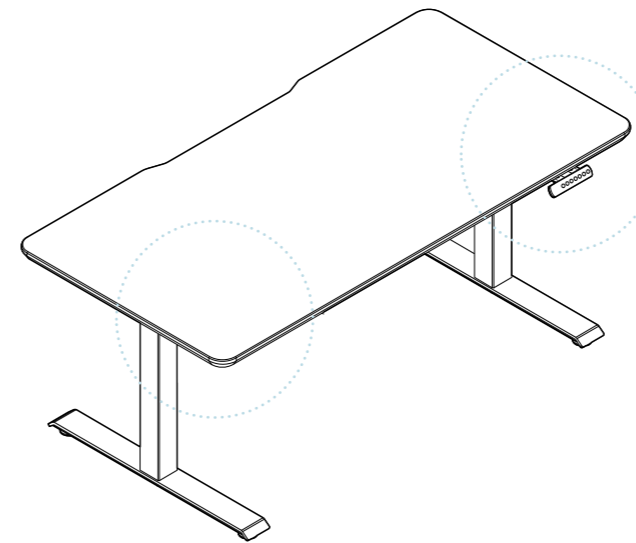
#10 X 5/8"
x6

Tools Needed

- DRILL WITH 1/8" BIT
- PHILLIPS SCREW DRIVER OR IMPACT DRIVER
- TAPE
- SCISSORS
- MARKER

NOTE: The latest Vari Electric Standing Desk models will come with pre-drilled holes underneath the desktop for the Vari Desk Drawer and Undermount Storage. First, check and see if your desktop has pre-drilled holes. If not, proceed with step 1. If your desktop does have pre-drilled holes, align the product with the pre-drilled holes and screw in with the provided screws.

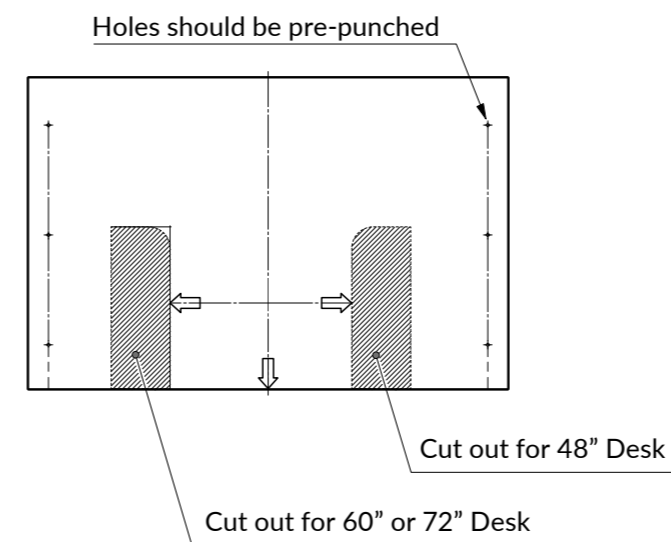
1



Determine if you want your undermount storage mounted on the right or left side of the desk.

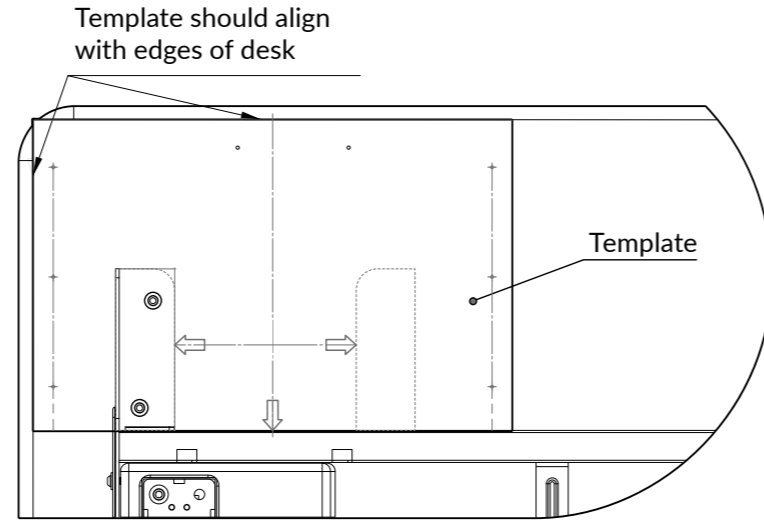
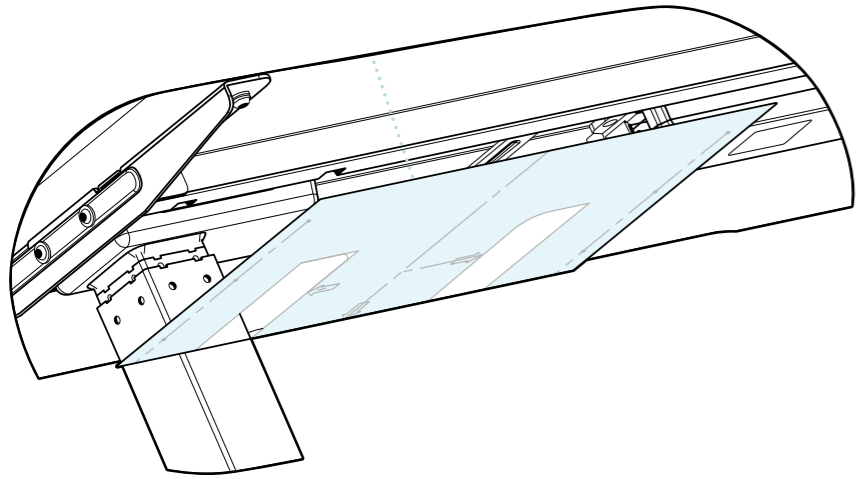
NOTE: Prior to installation, check for any obstructions underneath the desktop that might hinder proper product function. We recommend mounting this on the opposite side of the control panel and only installing it on the Vari Electric Standing Desks 48x30, 60x30, and 72x30. If installing on a non-Vari product, ensure the desktop is at least 20mm (0.78") in thickness to ensure you don't drill too far.

2



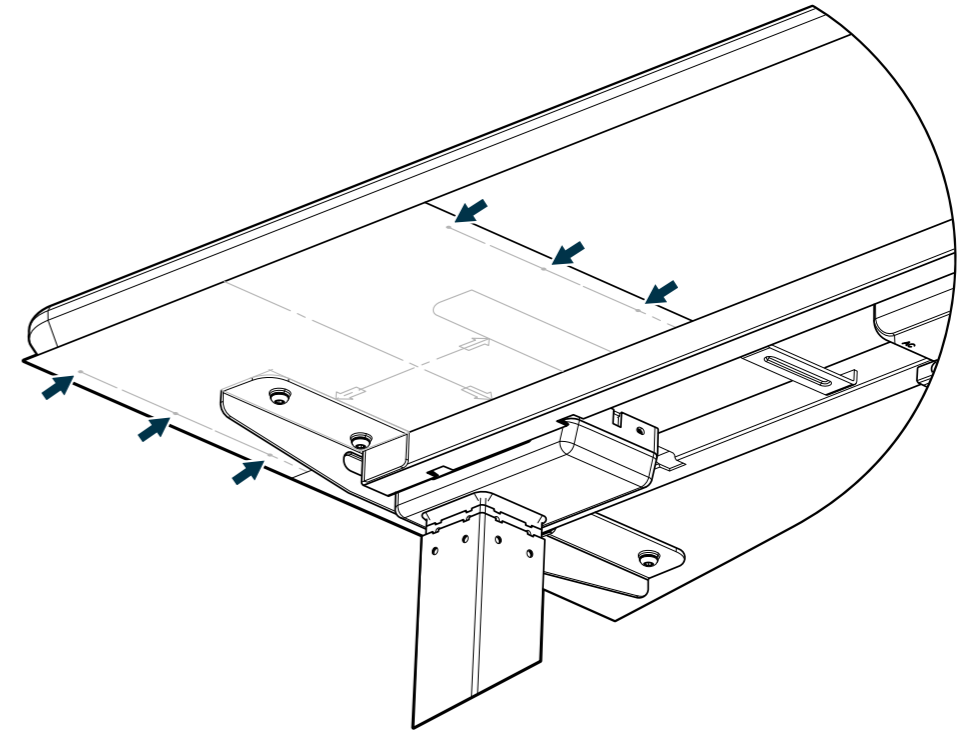
Cut the template along the dashed line in accordance to the size of your desk. Measure your desktop if unsure of size.

3



Stick the template on the bottom of desktop so that the cut out section is aligned with the leg bracket. If you mount the unit on the right side, flip the template over. The template should also be flush with the edge of the frame.

4

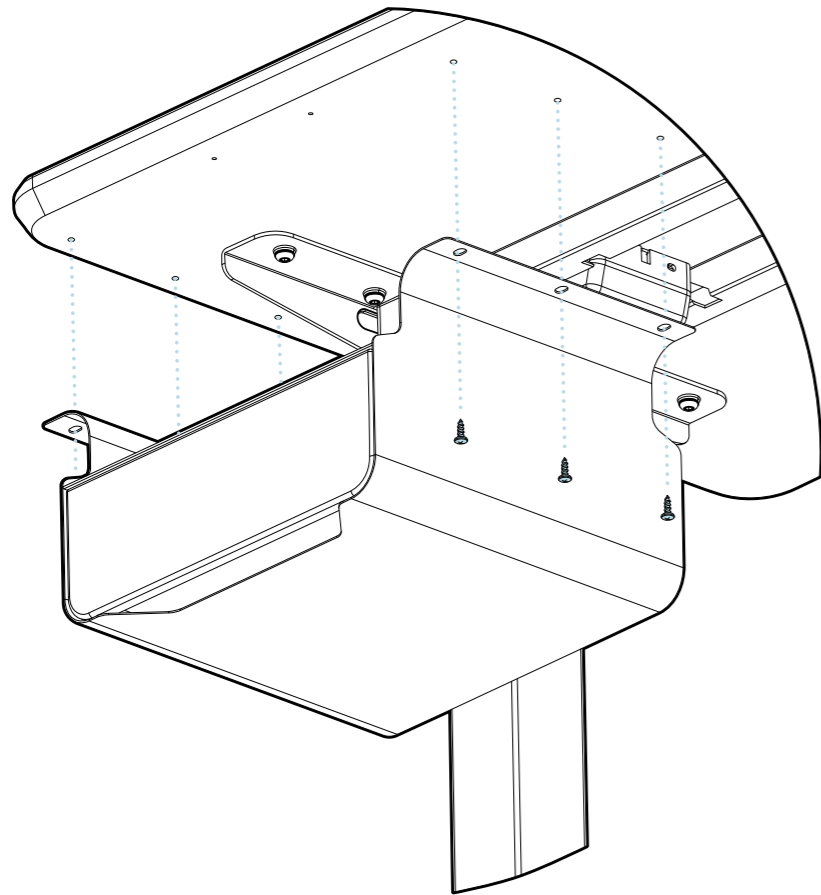


Mark the 6 holes on the template on the desk. Remove the template. Use a drill (not included) with a 1/8" (3.2 mm) bit to make your pilot holes no deeper than 1/2".

NOTE: Measure 1/2" (12.7 mm) from the tip of your drill bit, then place a piece of tape at this mark or use a marker to ensure that you don't drill too far.

NOTE: Please make sure that the pilot holes are spaced within the range of 16 1/8" - 16 3/4"

5



Align the holes of the Undermount Storage with the pilot holes. Hold the Undermount Storage and use 6 screws and the #2 Philips screwdriver (not included) to secure the Undermount Storage into place.

