

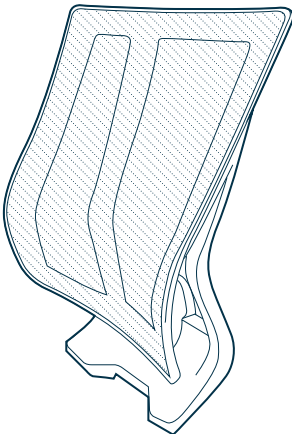
Task Chair with Headrest Assembly



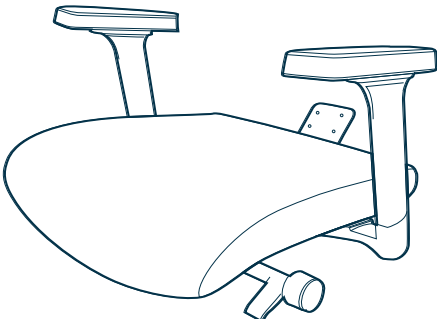
2 People
Recommended



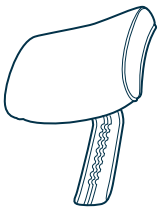
Holds up to
300 lb (136 kg)



CHAIR BACK **x1**



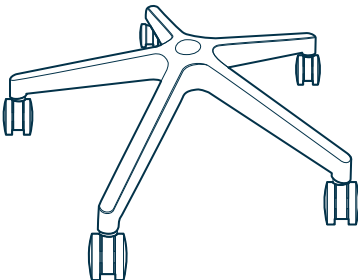
CHAIR SEAT **x1**



HEADREST **x1**



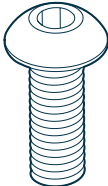
AIR PISTON **x1**



BASE **x1**

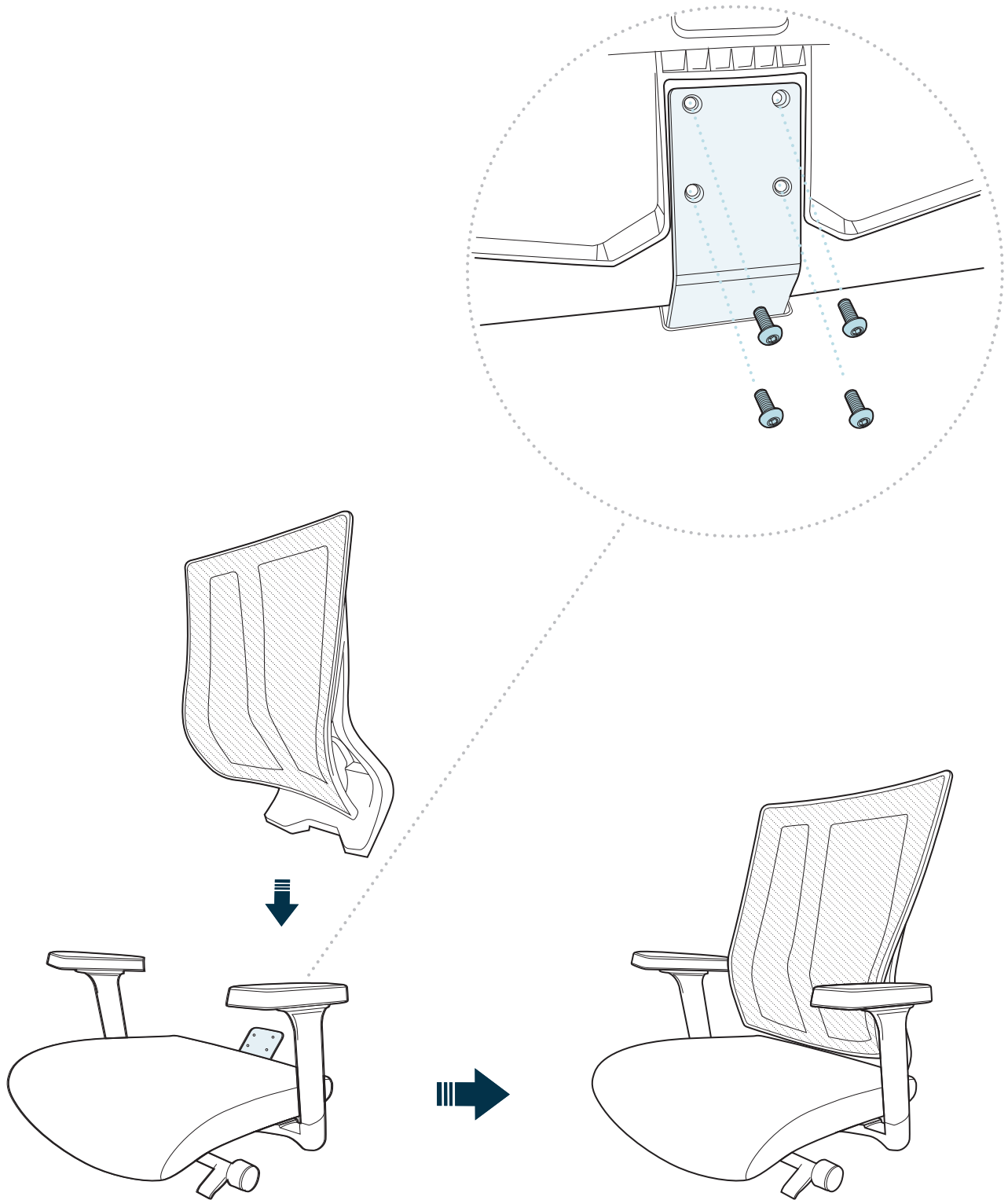


ALLEN KEY **x1**



HEX BOLT **x4**

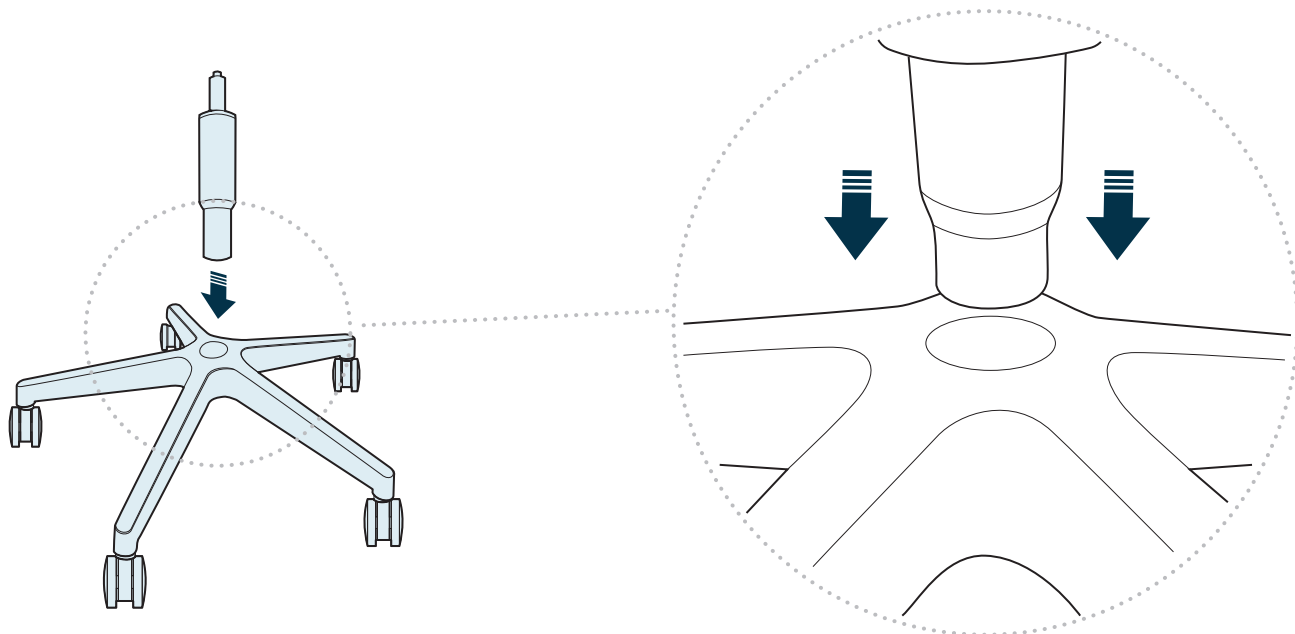
1



Remove the chair back, chair seat, headrest, hex bolts, Allen key, air piston, and base from the box.

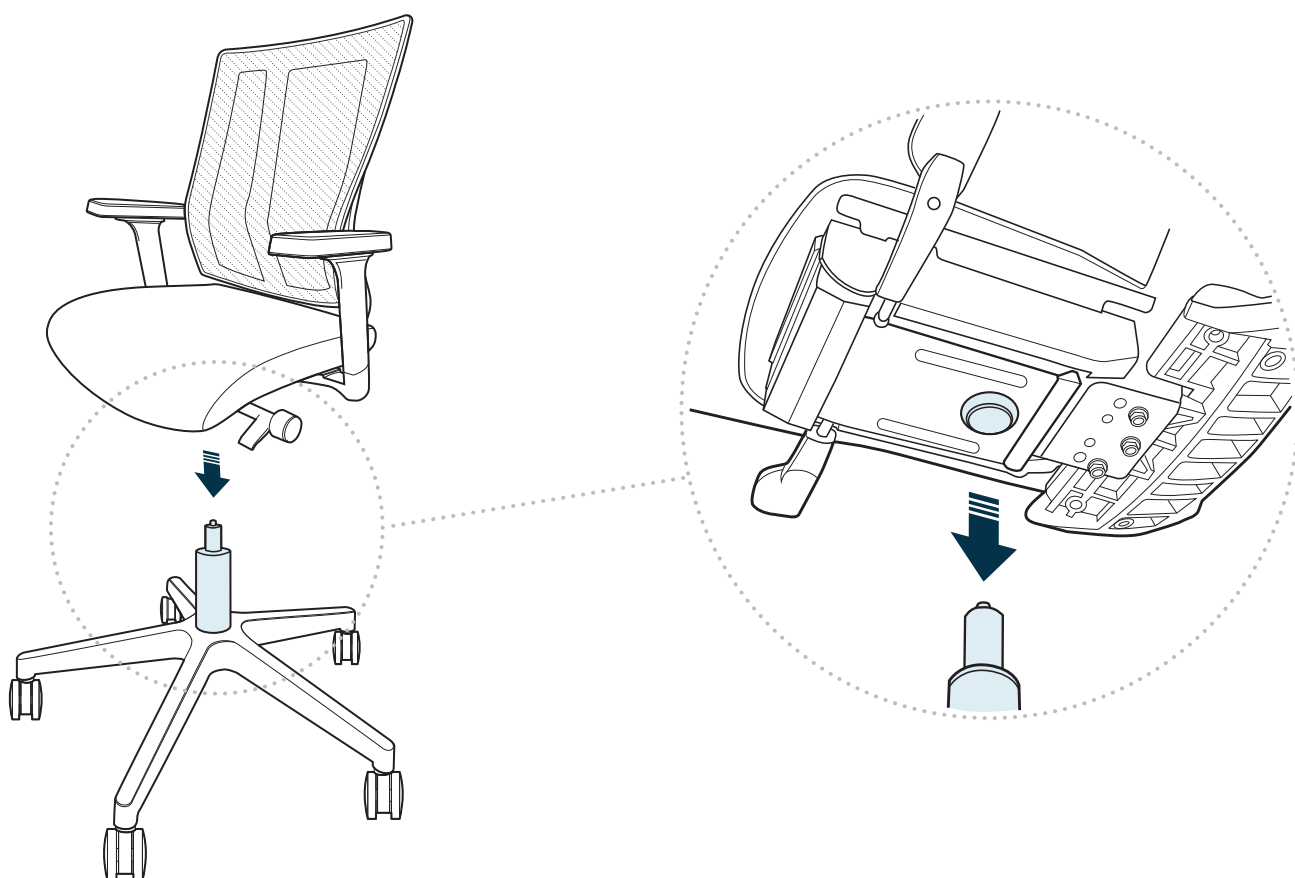
Align the back of the chair with the steel plate attached to the seat. Using the four bolts provided, fasten the plate to the back of the chair with the provided Allen key.

2



Insert the piston into the base in the orientation shown with the large end down.

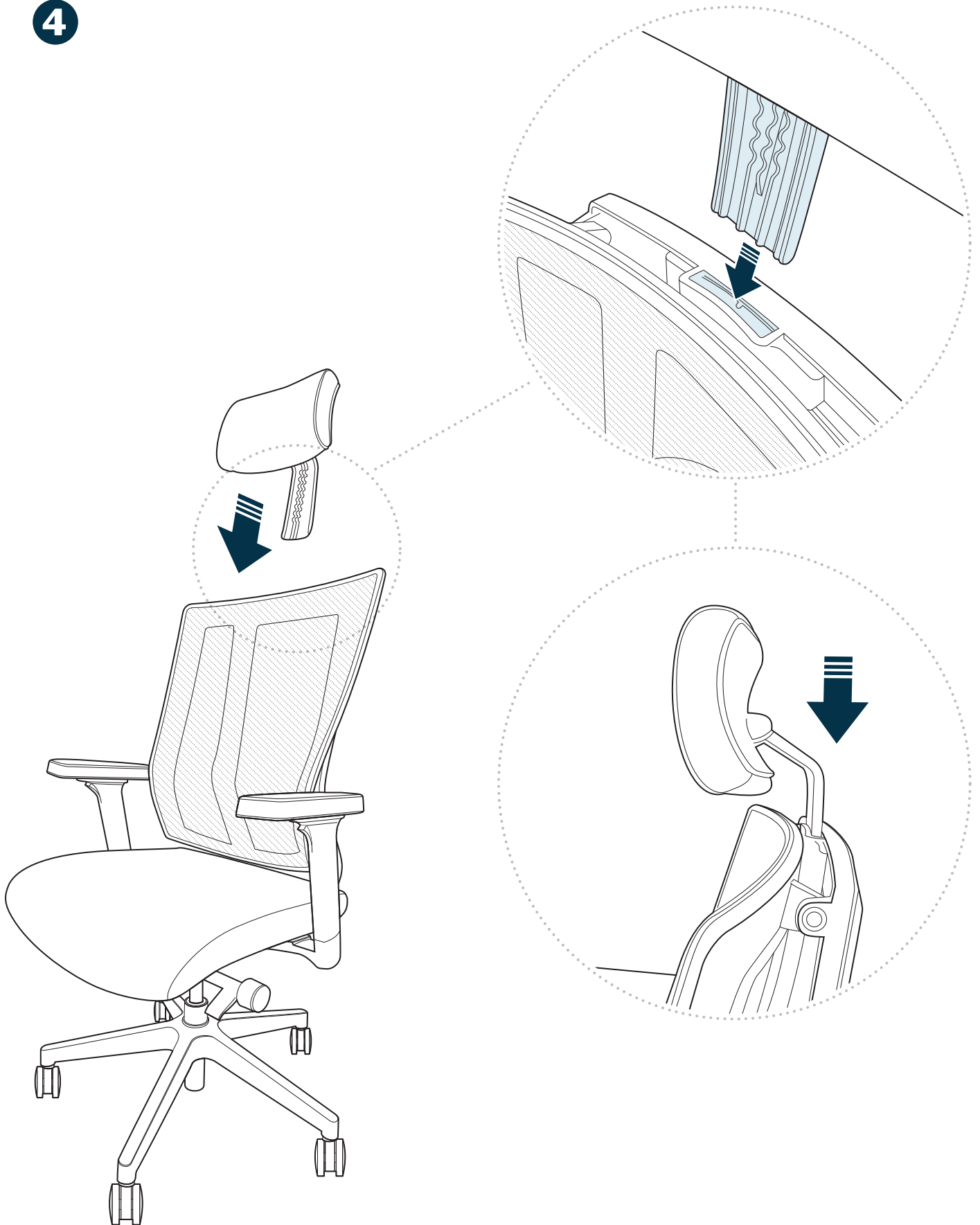
3



Please remove the Black or Red protective cap on the piston before proceeding. Line up the hole underneath the seat with the top of the piston and base assembly. With another person's assistance, carefully lower the chair back onto the piston. Using even pressure, press down firmly on the seat cushion a few times to ensure the seat is fully engaged with the piston.

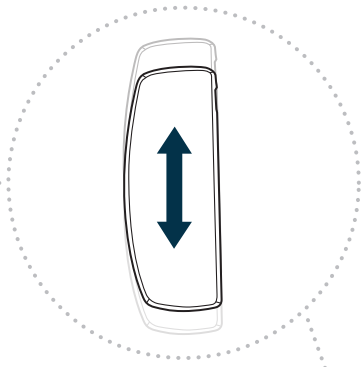
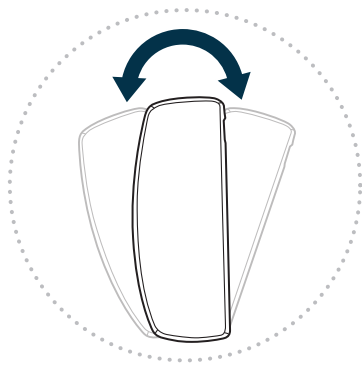
CAUTION: Once the chair is assembled, do not attempt to disassemble the chair, as doing so could damage the product.

4

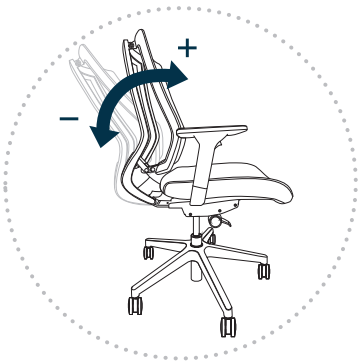
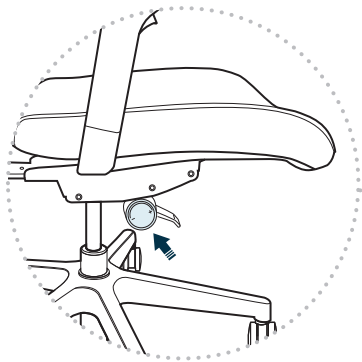


To attach the headrest, insert the bottom of the headrest into the top of the chair and press firmly to secure.

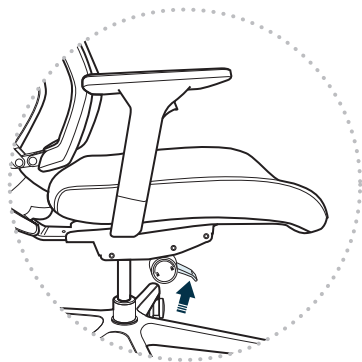
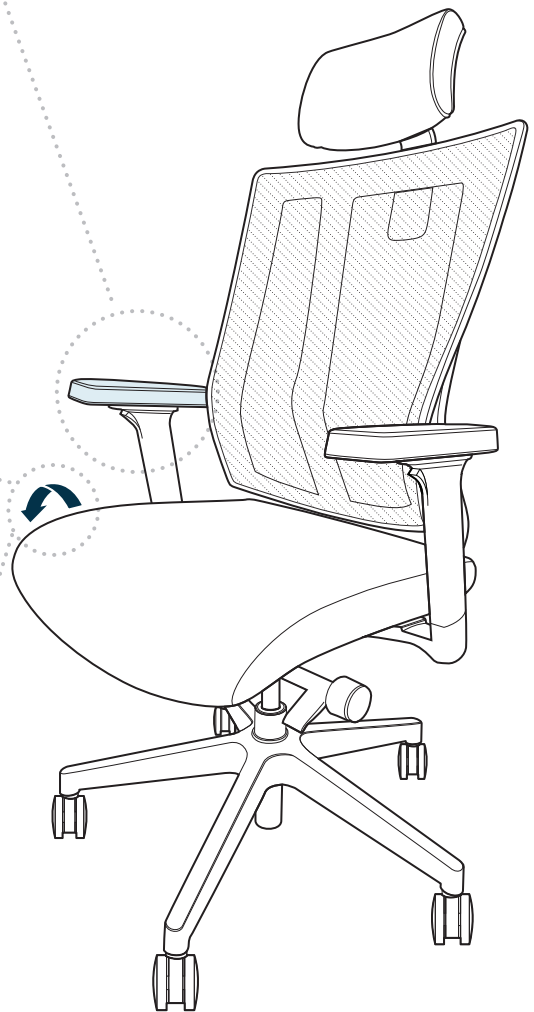
Task Chair with Headrest Adjustments



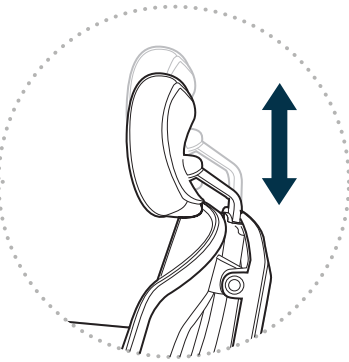
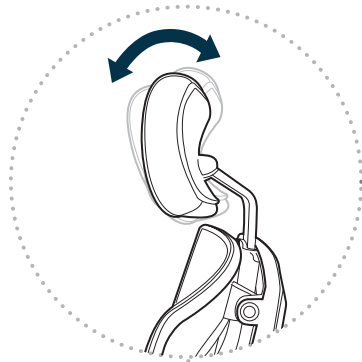
To angle the arms or slide arms from front to back, push arms accordingly.



To adjust how easily the backrest reclines, turn the knob on the right side forward to increase the tension or backward to decrease the tension.

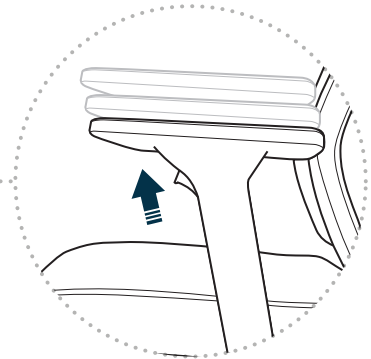
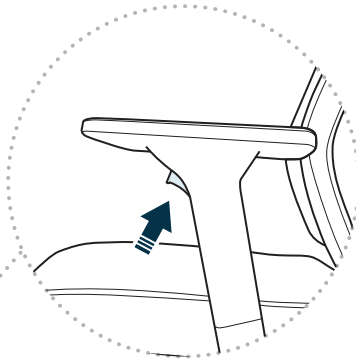
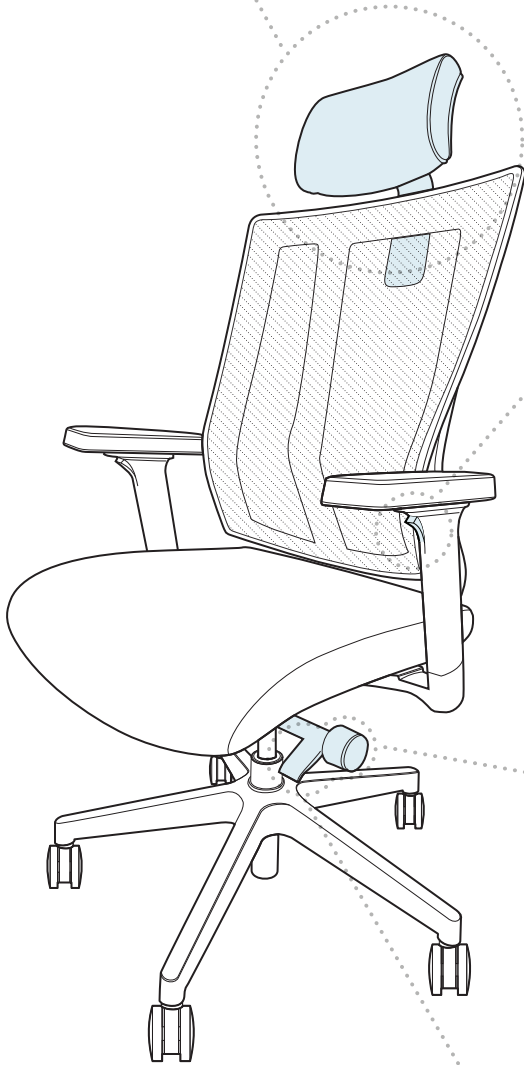


To adjust seat height, use the lever under the right side of the chair seat.

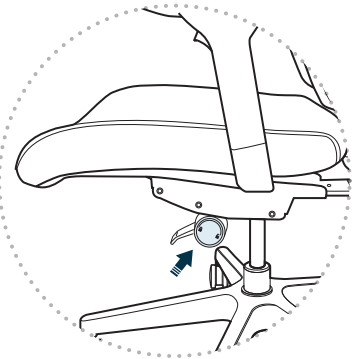


To adjust the headrest's angle, tilt the headrest back or forward.

To adjust the headrest's height, gently pull up to raise and push down to lower.

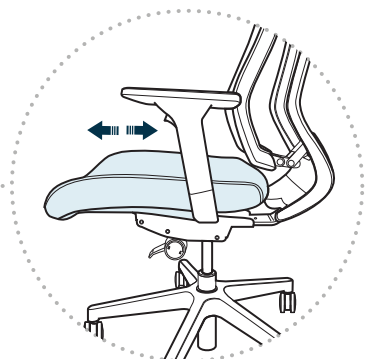
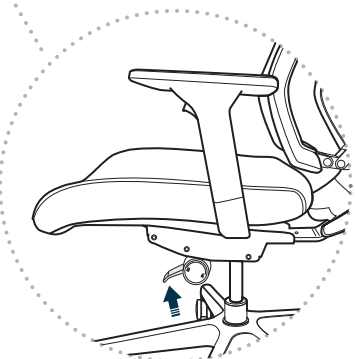


To adjust the arm height, press the button under the armrest and pull up or push down on the armrest.



To allow the backrest to recline, turn the knob on the left side to the unlocked position. To prevent the backrest from reclining, turn the knob to the locked position.

To adjust the position of the cushion seat, use the lever on the left and pull the seat forward or push it back.





WARNING: To prevent injuries and product failure, do not use this chair for standing, climbing, or leaning. Do not use if the chair is damaged or incorrectly assembled.



(800) 207-2587