

Corner Accessory Panel

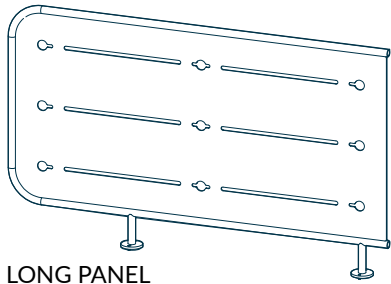
One Person
Assembly



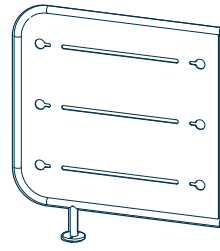
WEIGHT CAPACITY
2 lbs (.9 kg) per accessory
6.6 lbs (2.9 kg) total

vari®

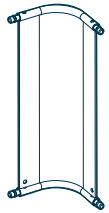
COMPONENTS



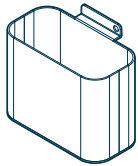
LONG PANEL
x1



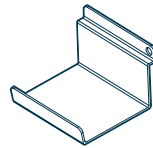
SHORT PANEL
x1



CORNER PLATE
x1



PEN HOLDER
x1



HEADPHONE HOOK
x1



CORNER SHELF
x1



M4x10 SCREW
x3

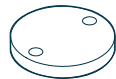
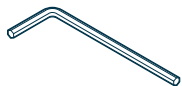


TABLE TAPE PADS
x2



2.5MM ALLEN KEY
x1



THUMB SCREW
x4



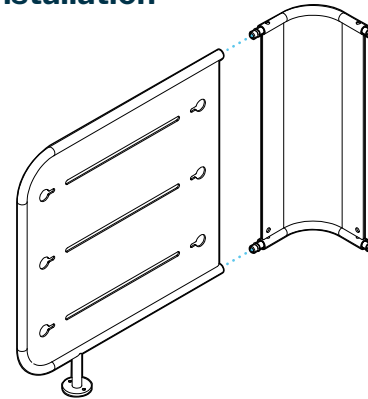
CLAMP
x3



BUNGEE CABLE
x2

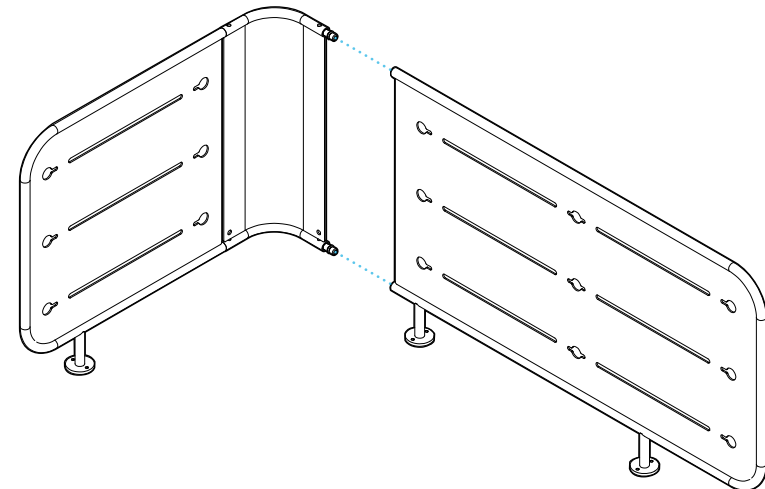
Assembly and Installation

1



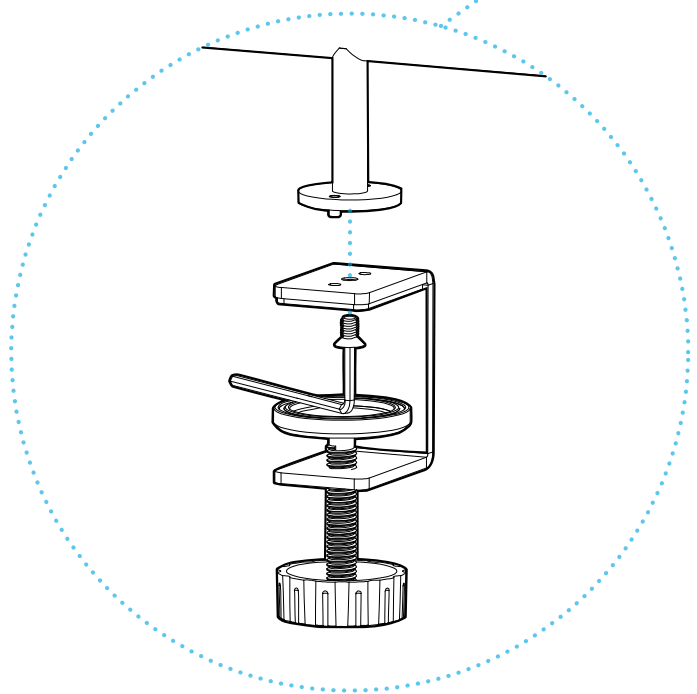
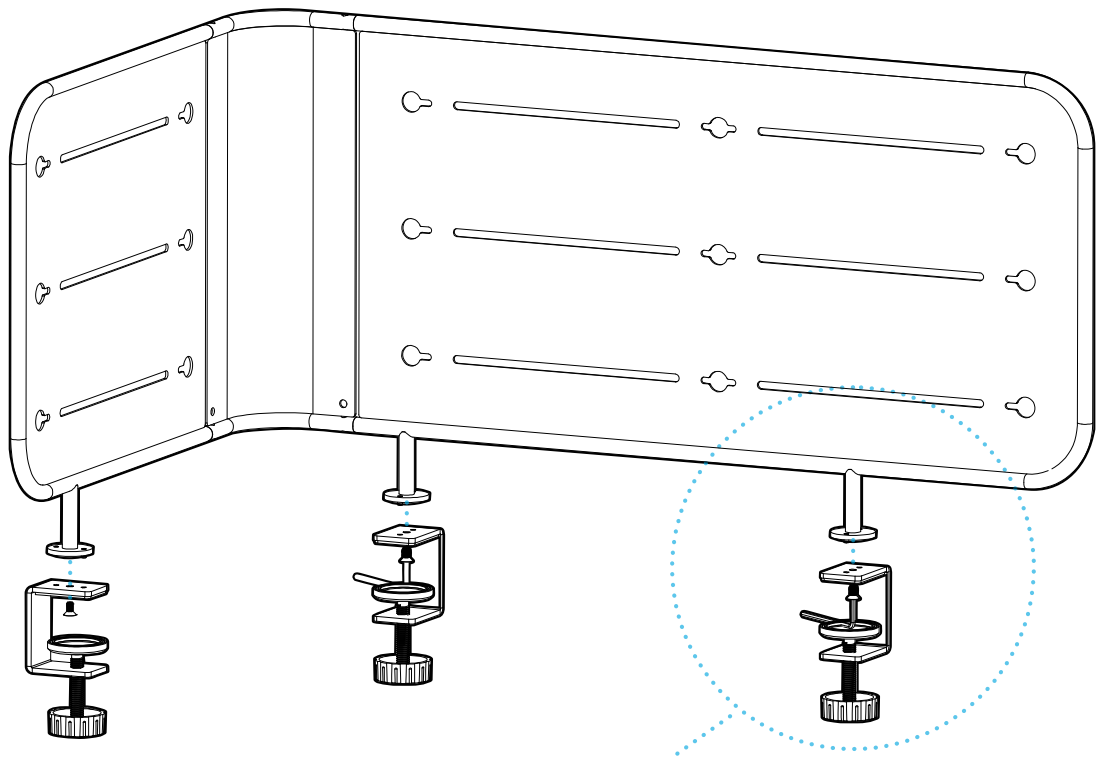
Connect the **SHORT PANEL** to one side of the **CORNER PLATE**.

2



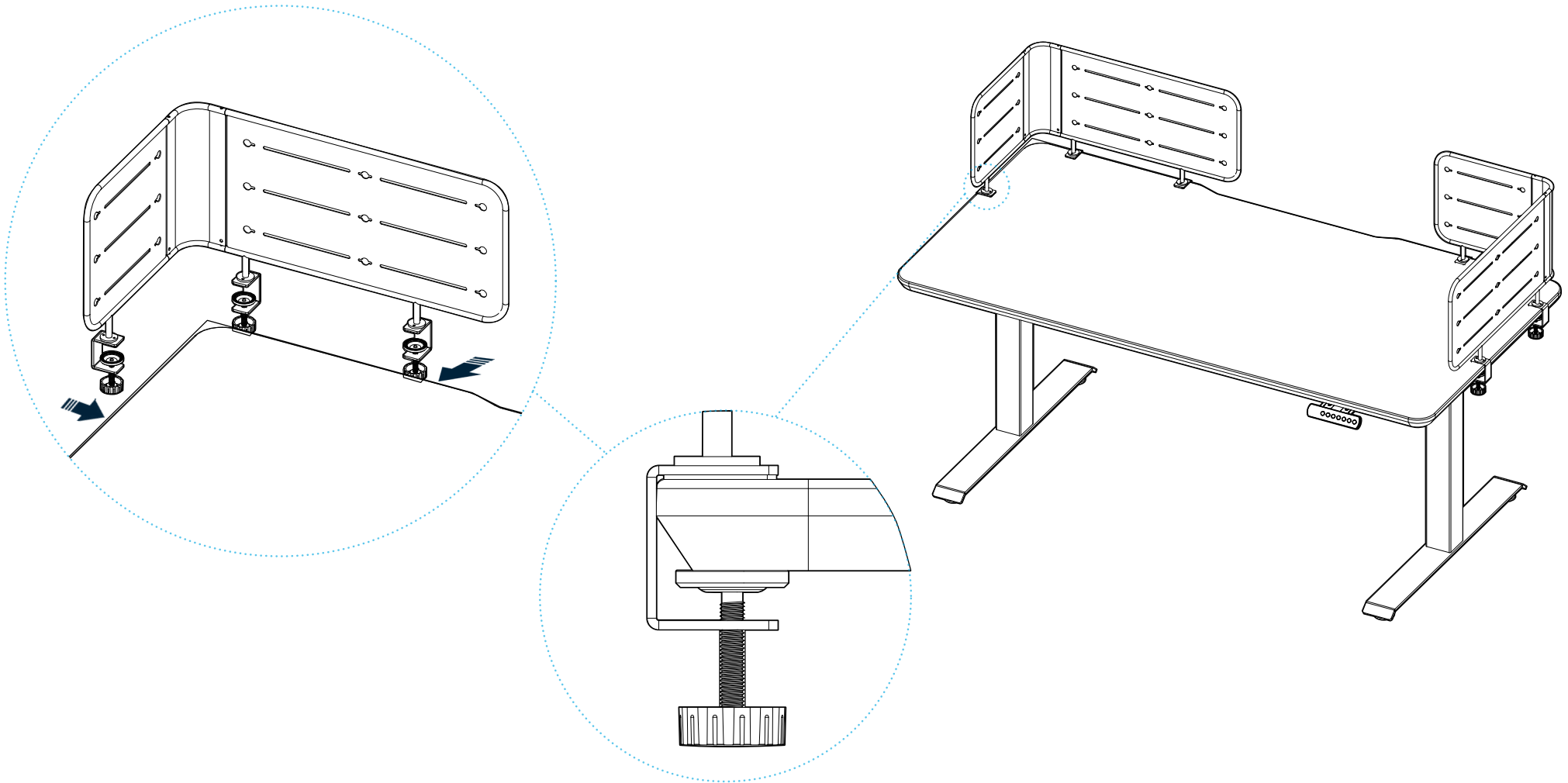
Connect the **LONG PANEL** to the opposite side of the **CORNER PLATE**.

3



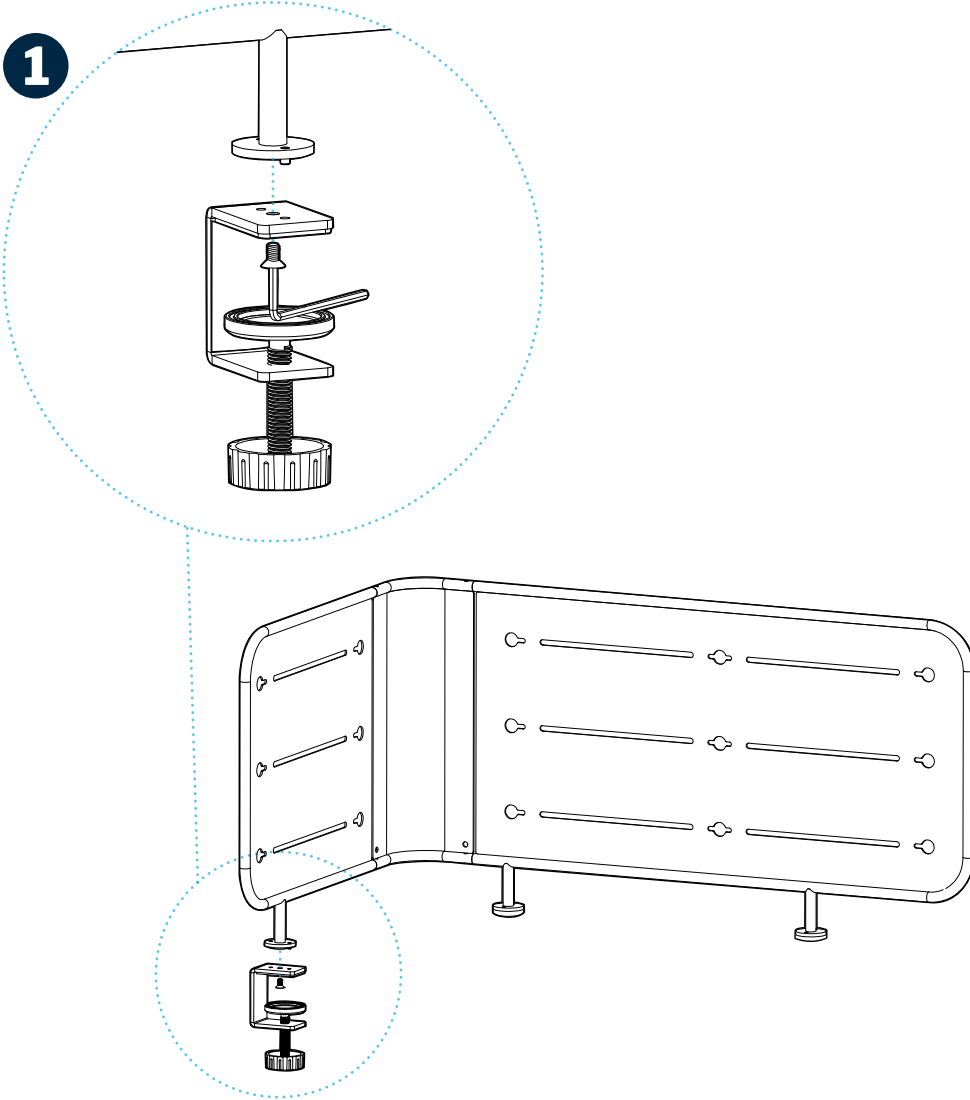
Align all three **CLAMPS** in the correct mounting position. Insert the **M4 X 10 SCREWS** through the holes and tighten using the included **2.5 MM ALLEN KEY**.

4 Electric Standing Desk Mount

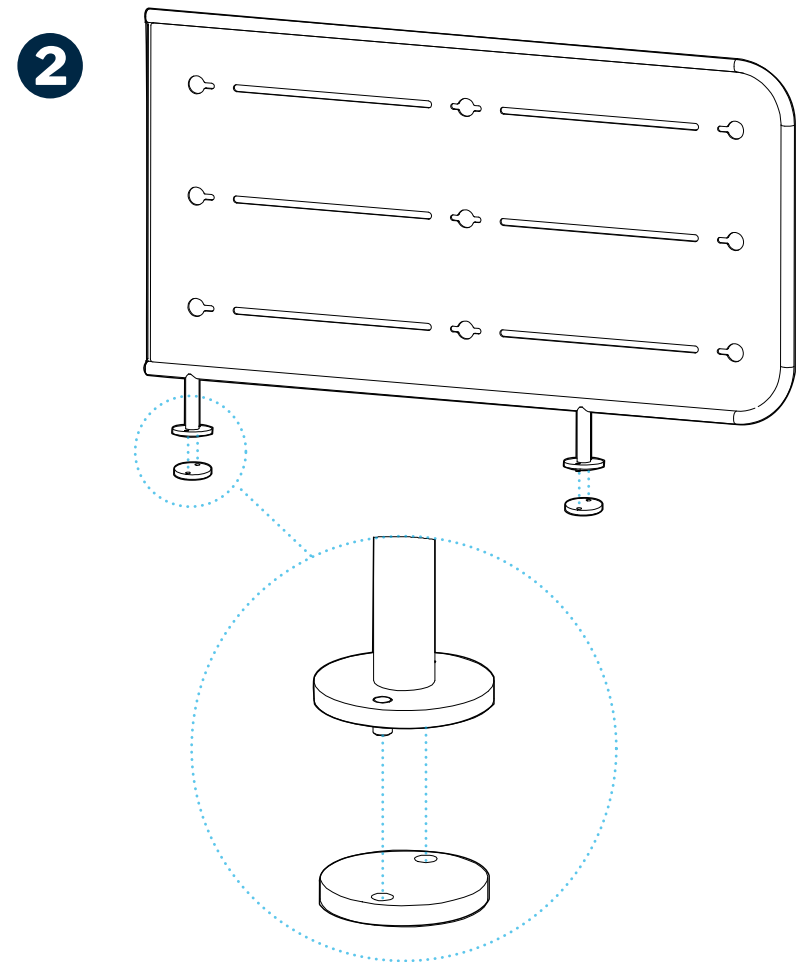


Slide the assembled **CORNER ACCESSORY PANEL** onto the desk surface (up to 1.4" thick). Tighten the **CLAMPS** until secure.

Table Mount (Alternative Setup)



Align one **CLAMP** with the rear mounting position. Insert the **M4 X 10 SCREWS** and tighten using the included **2.5 MM ALLEN KEY**.



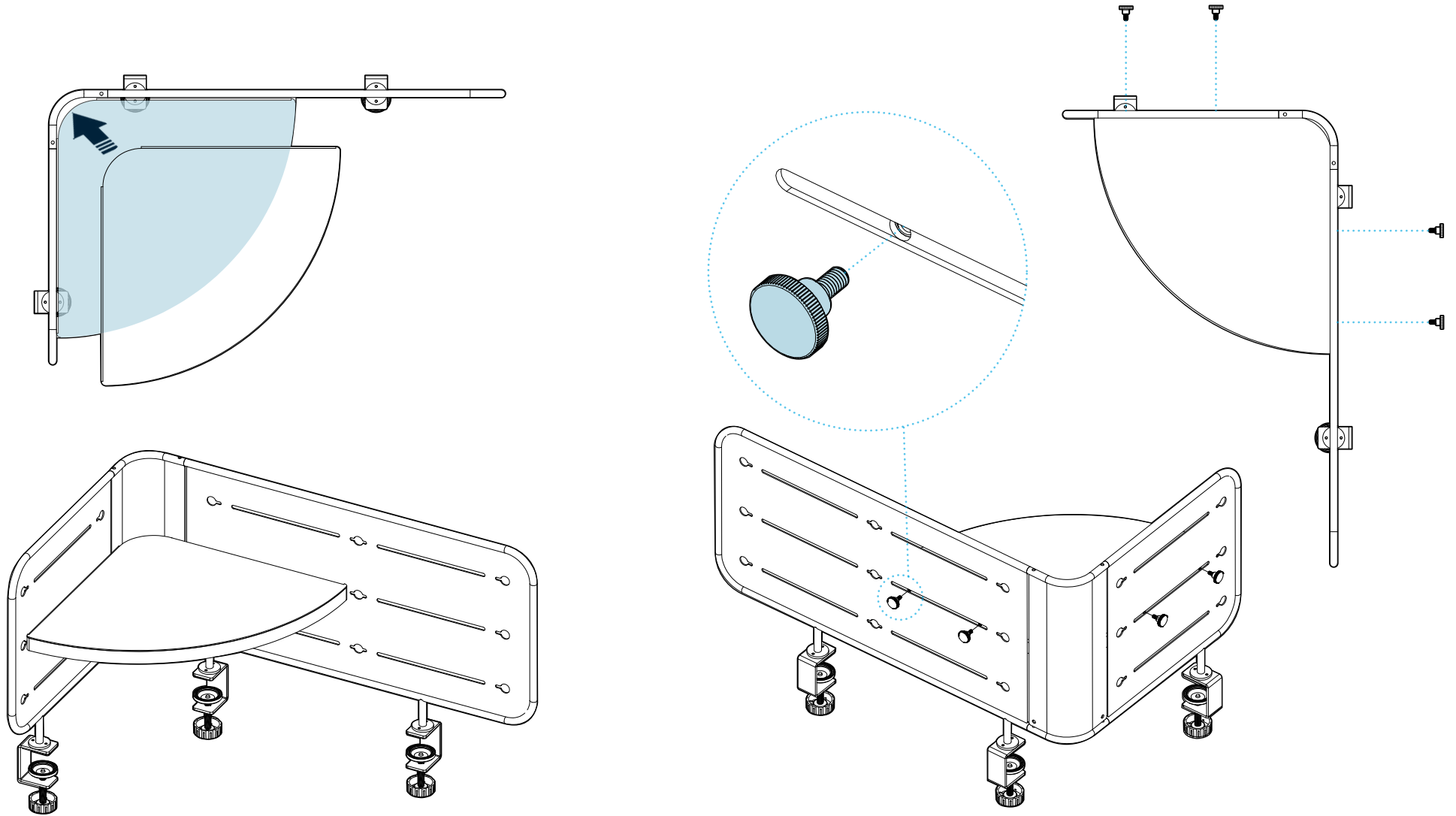
Peel one side of the **TABLE TAPE PAD** and attach it to the other panel feet.

Slide the unit into position with the **CLAMP** at the rear of the desk. Tighten the clamps until fully secure.

Carefully align the panel and remove the tape backing. Press firmly to secure.

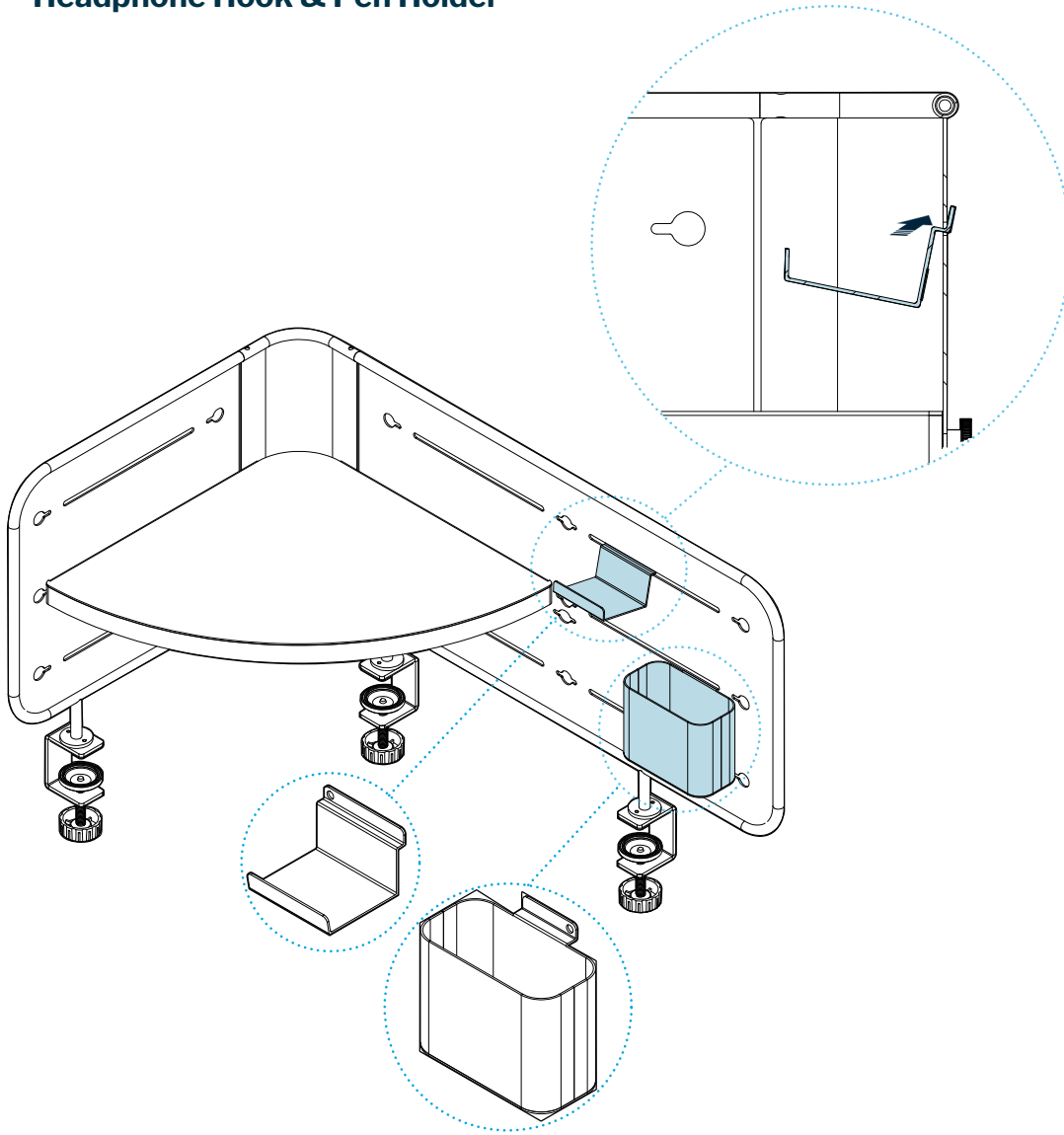
Accessory Additions

Install Corner Shelf



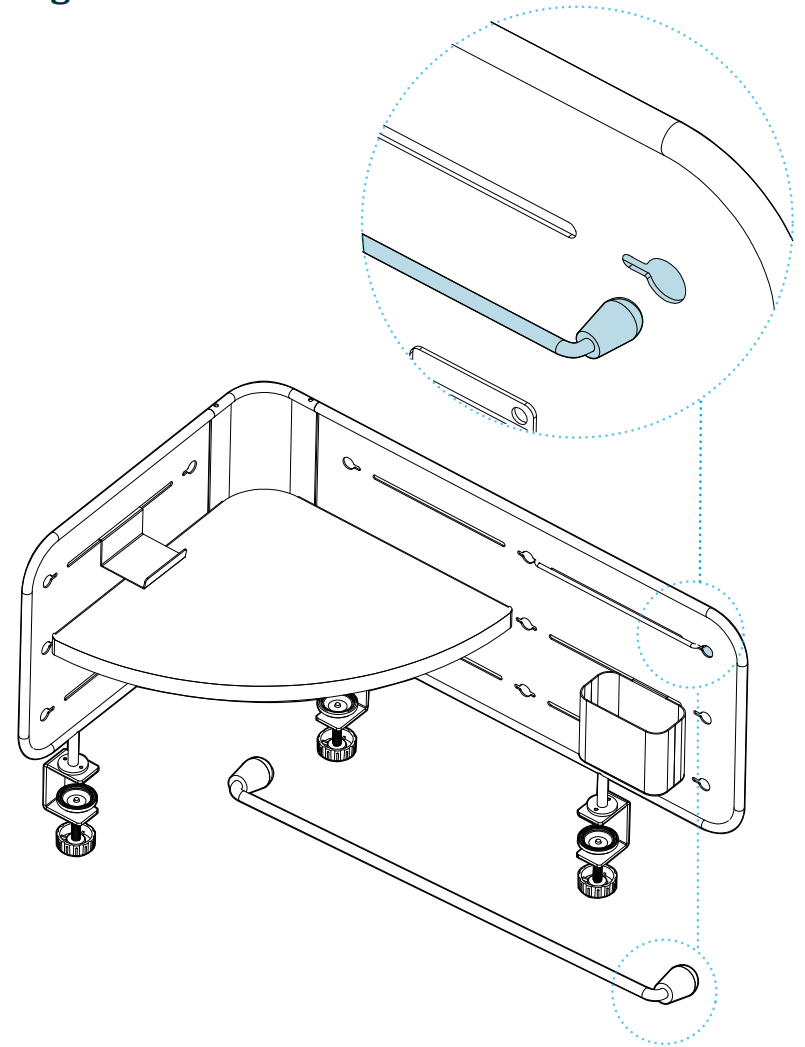
Position the **CORNER SHELF** inside the frame. Insert and hand tighten **THUMB SCREWS** from the outside of the panel. Adjustable positions include upper, middle, and lower shelf.

Headphone Hook & Pen Holder



Slightly tilt the hook and insert it into the groove.
Press down until secure.

Bungee Cables



Insert end caps into keyholes. Stretch and hook the
BUNGEE CABLE into place.



NOTICE: Do not overload the shelf or accessories. Make sure all hardware is installed correctly before use. Do not use the product if any part is damaged or assembled incorrectly. When using adhesive, confirm placement before pressing firmly—adhesive is not repositionable.



(800) 207-2587

Patent and trademark information: vari.com/patents | ©2026 Varidesk, LLC All rights reserved.