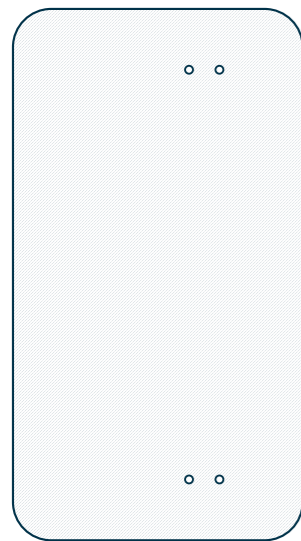


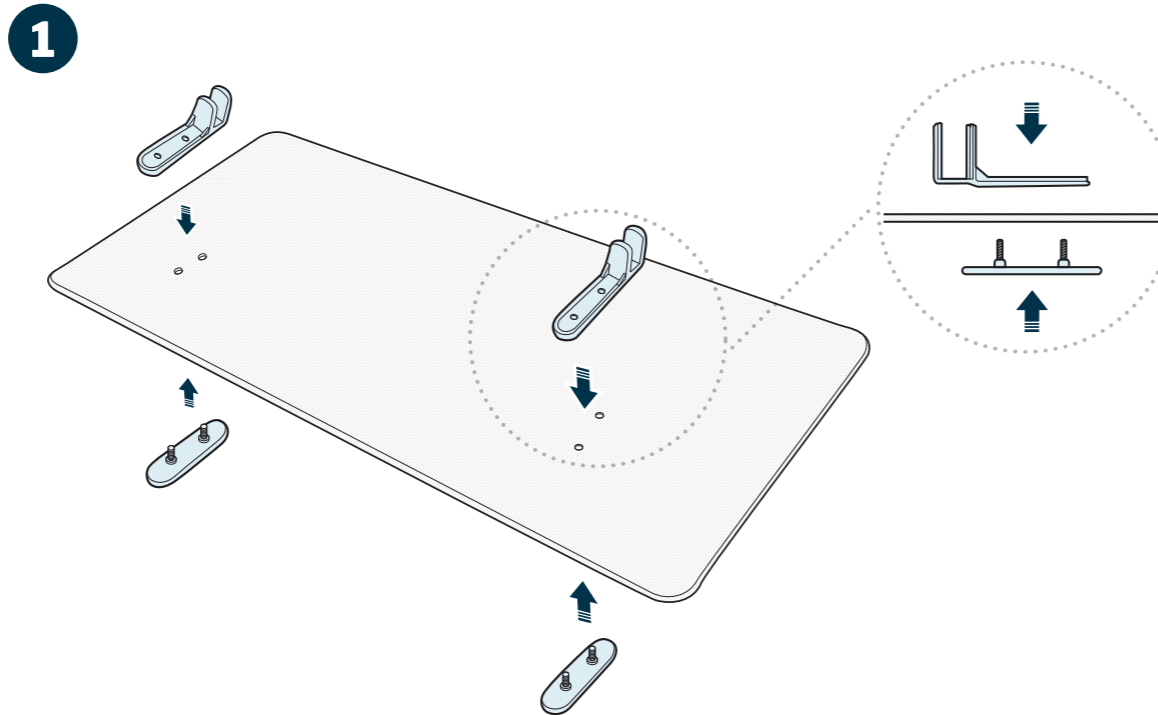
# Felt Privacy + Modesty Panel



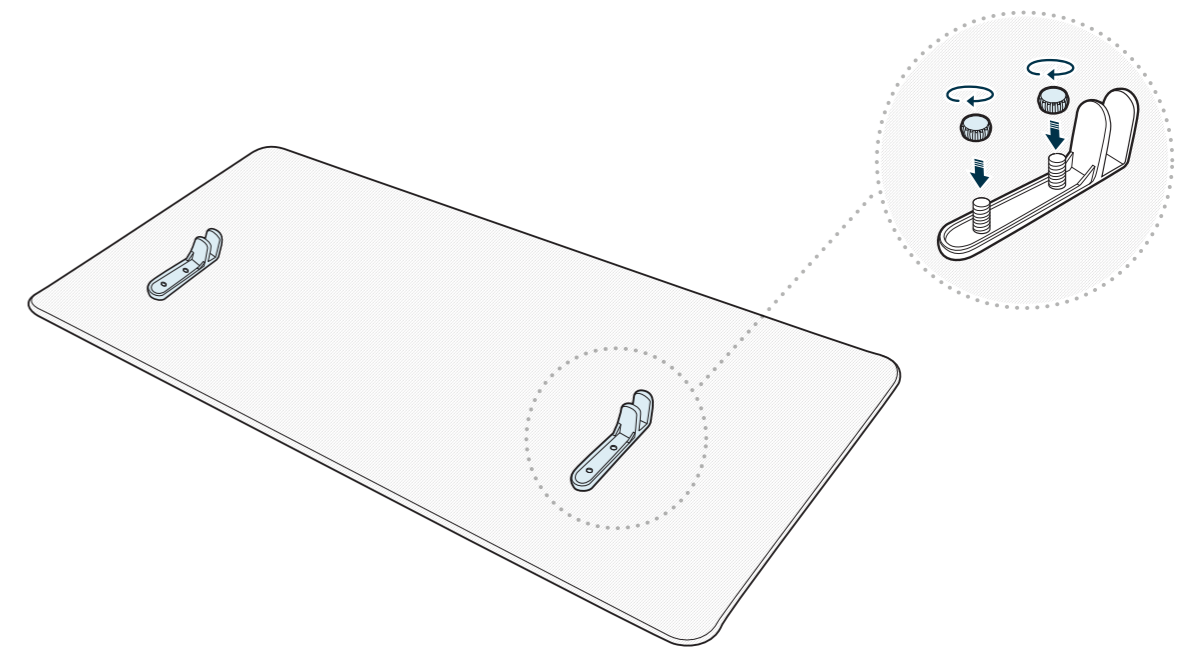
**vari**®



x1



2



Screw on the bolt caps and tighten until the bracket is firmly affixed to the panel.

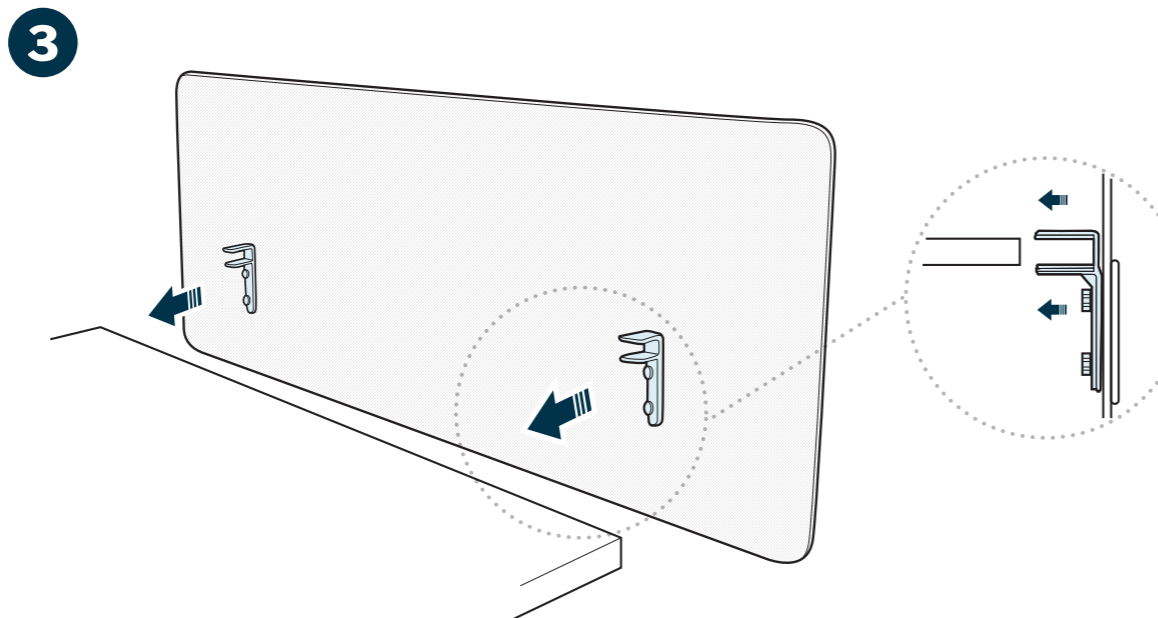


x2

To attach the mounting brackets to the privacy panel, insert the bolt plate through the holes in the panel. Then, on the other side of the panel, place the mounting bracket over the bolts with the flat end of the bracket facing the bottom edge of the panel.



x2



3



x4

To attach the panel to the desk, line up the mounting bracket with the edge of your desk and push the brackets onto the edge of the desk until the panel is firmly seated.



(800) 207-2587



**CAUTION:** Inserting push pins, tacks, or hooks into the panels may cause surface damage and is not recommended.