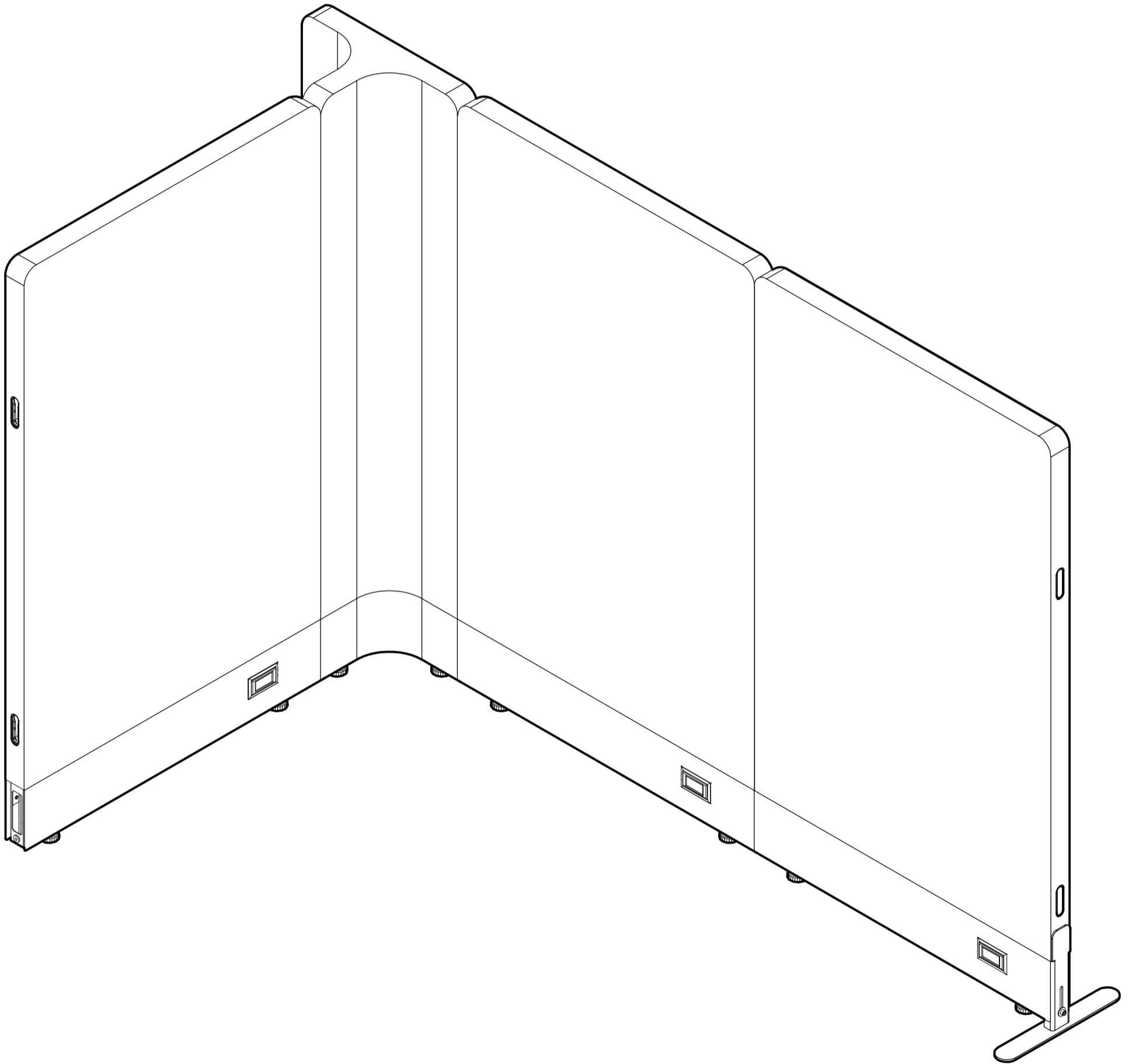


QuickFlex Cubes



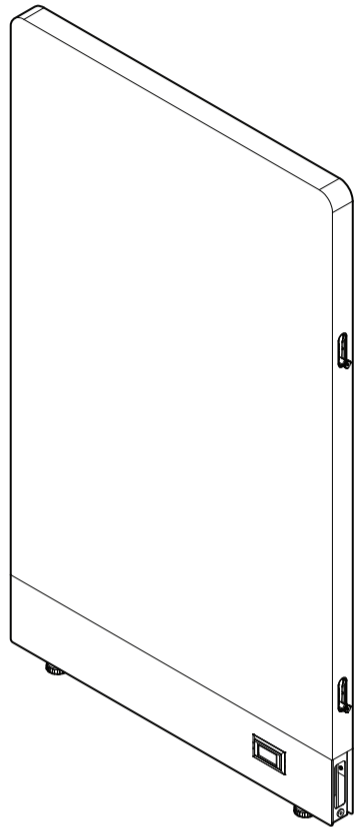
2 People
Recommended
for Assembly

vari®



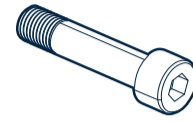
INCLUDED COMPONENTS FOR ASSEMBLY

NOTE: L, T, X, and Flat Panels will all be boxed separately. Each L, T, and X Connection Panel will contain an Allen key and wrench. Flat Panels will be boxed as a set of (2) and each box will contain (2) shoulder bolts and (2) covers, as well as (2) shoulder bolts pre-installed on each Flat Panel.



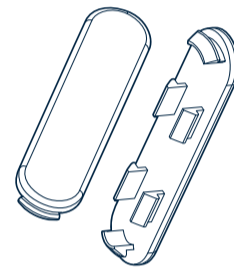
FLAT PANEL
x2

+ 2 pre-installed shoulder bolts

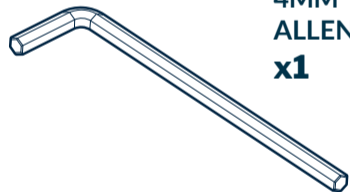


SHOULDER BOLT*
x2

*8mm Shoulder Diameter
35mm Shoulder Length
M6 x 1mm Thread



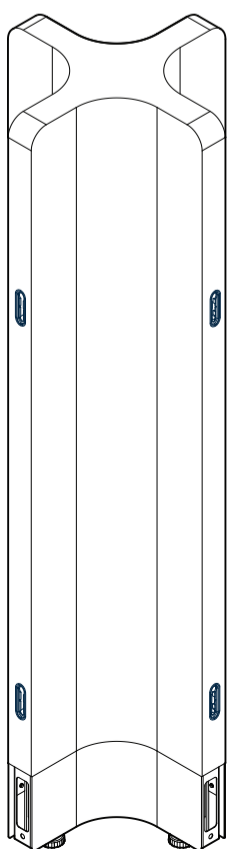
COVER
x2



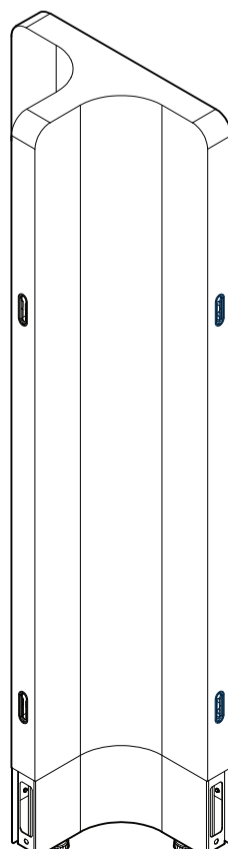
4MM ALLEN KEY
x1



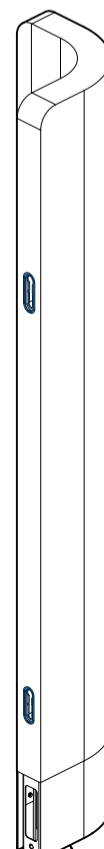
13MM WRENCH
x1



X CONNECTION PANEL
x1

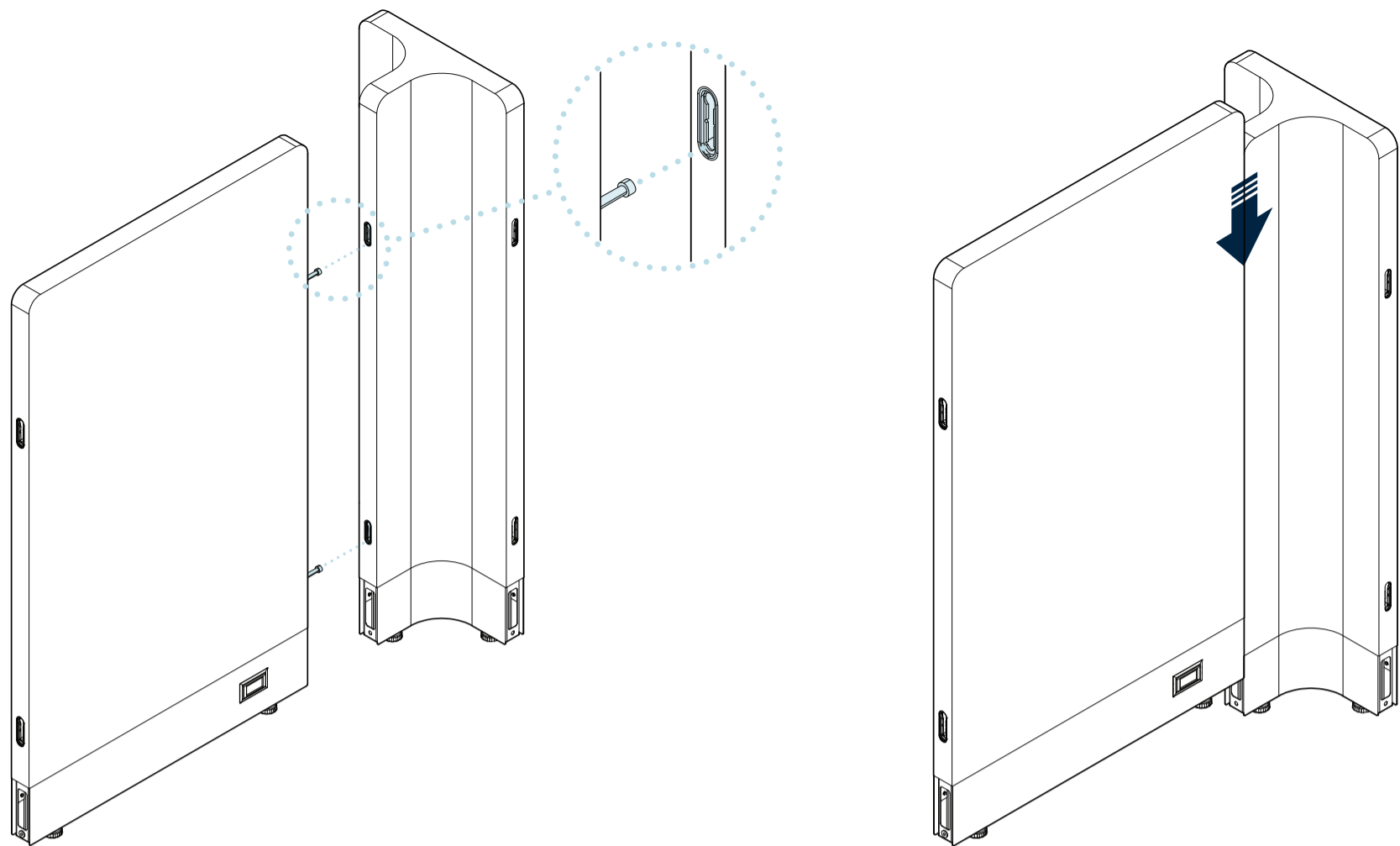


T CONNECTION PANEL
x1



L CONNECTION PANEL
x1

1

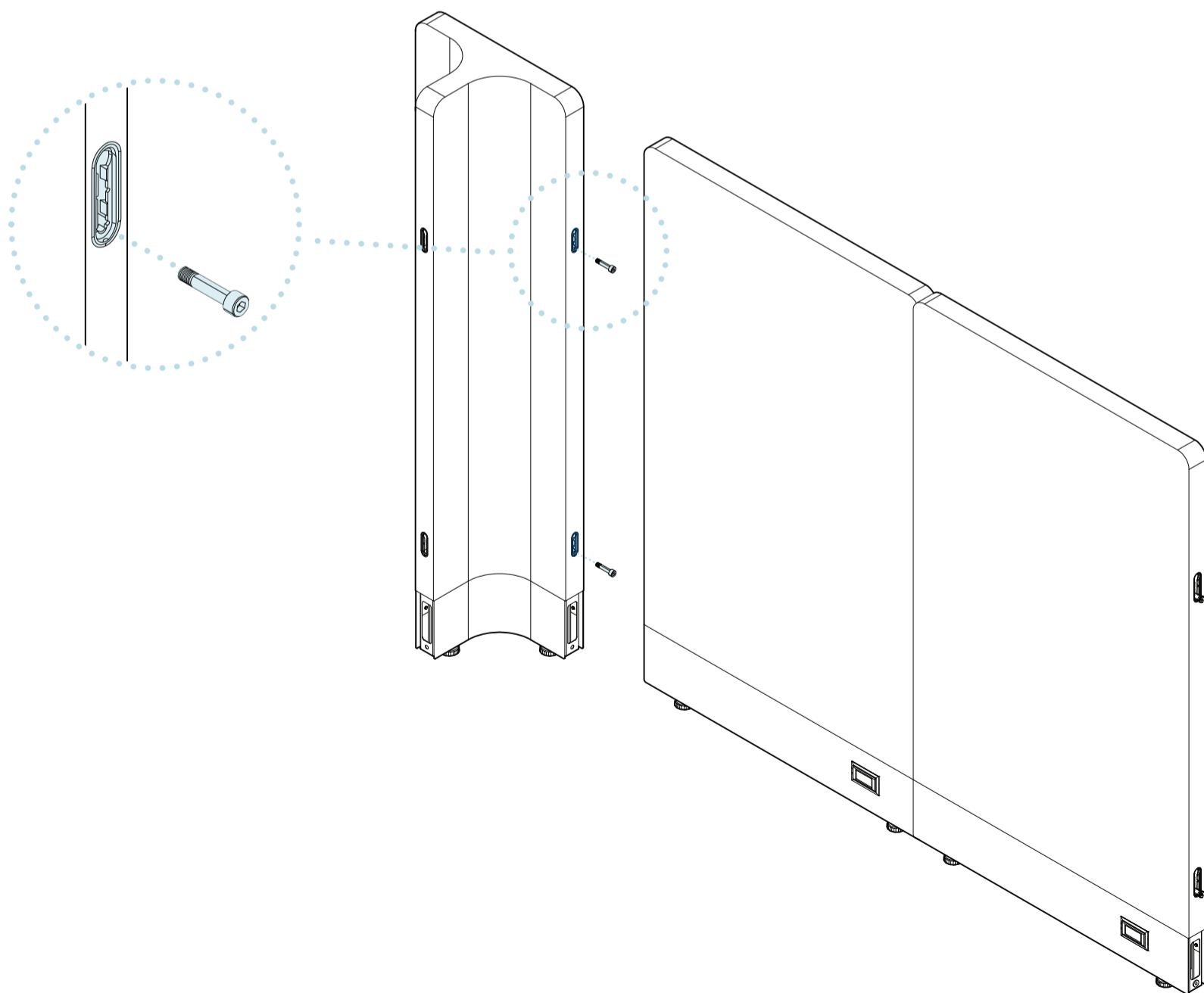


Based on the desired configuration, start with a corner, L, T, or X so the panels can stand on their own while building. Add a flat panel by aligning the shoulder bolts of the flat panel, with the top of the keyholes on the receiving L, T, or X connection panel.

Once they are aligned, push the panel downward to capture the bolt into the slot. The panels should be locked in 2 places.

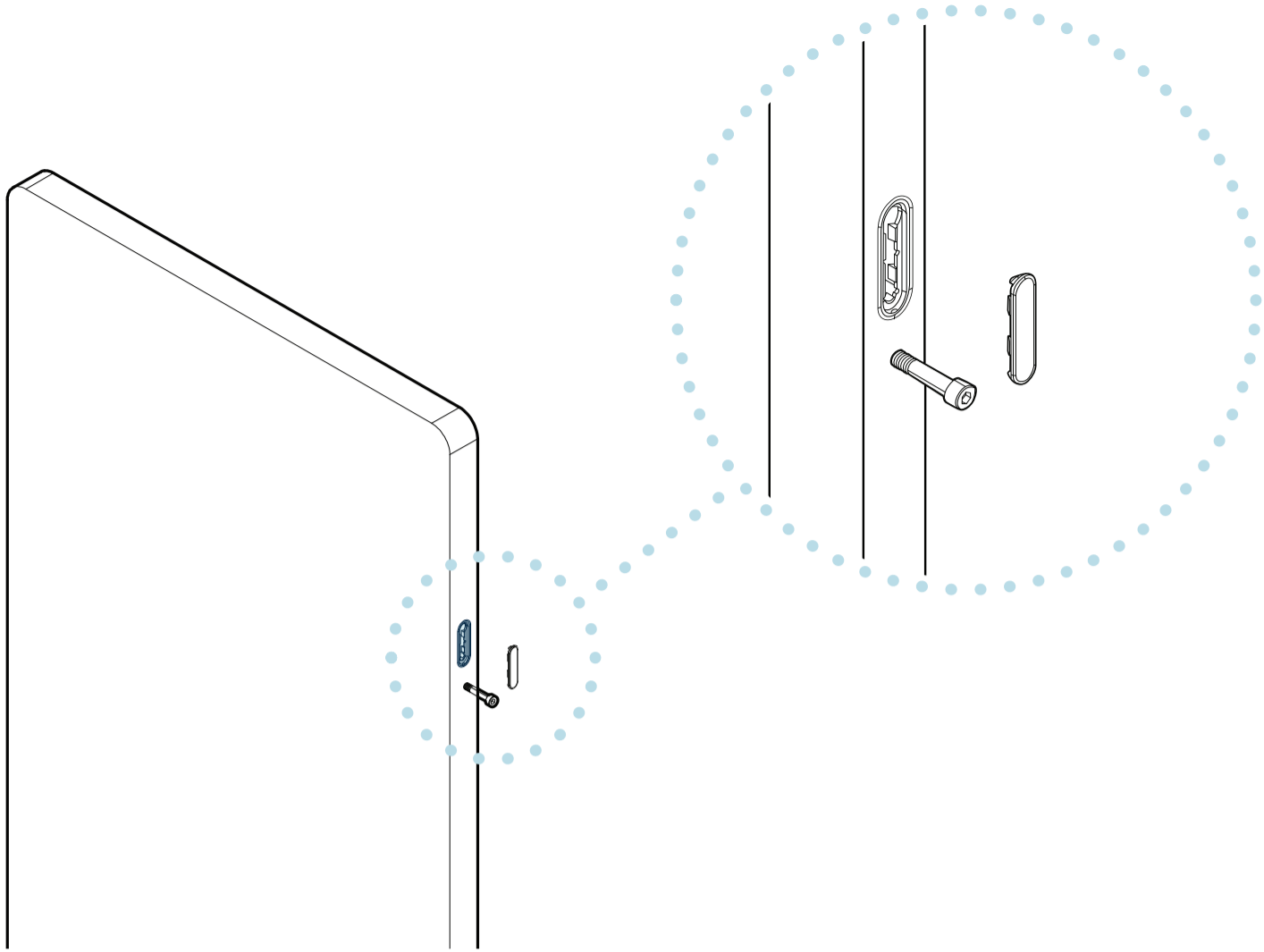
NOTE: Each Flat Panel will come with (2) Shoulder Bolts and (2) Covers pre-installed.

2



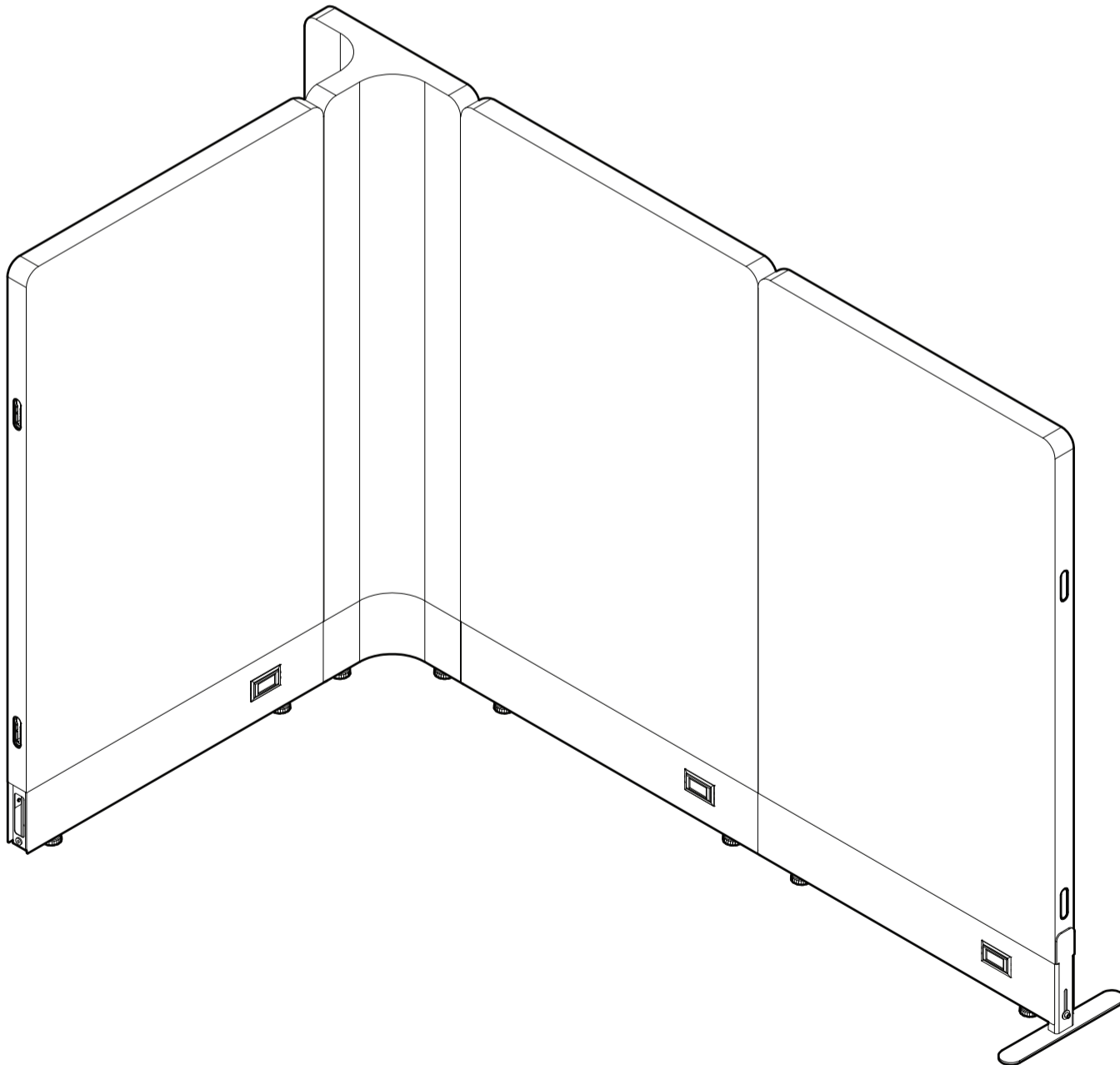
To add an L, T, or X corner to an existing run, insert shoulder bolts into each lower slot and tighten them using the included Allen key. Then, follow the same steps for attaching the panels as before.

3



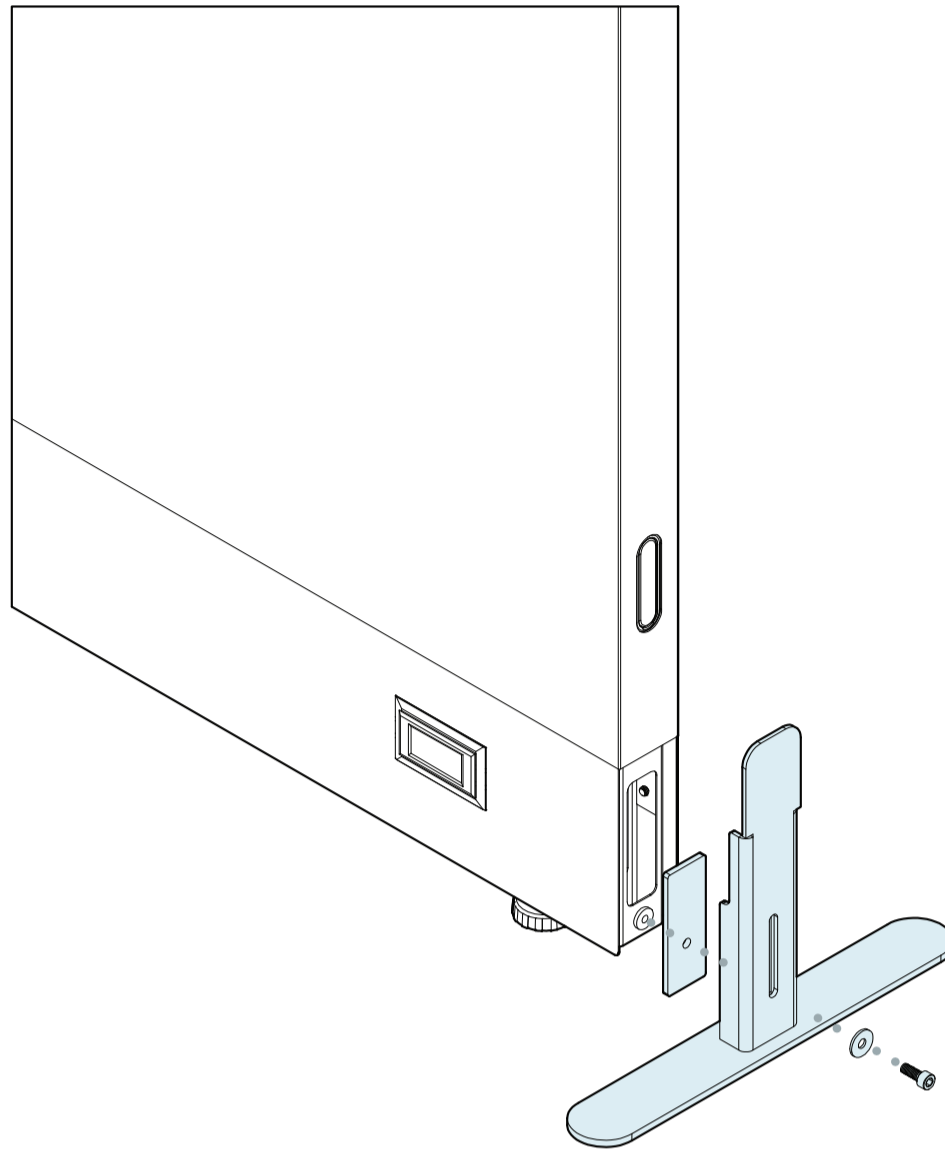
Use the Allen key provided to remove extra shoulder bolts at the end of a row of panels, then use the included covers to conceal the openings.

4



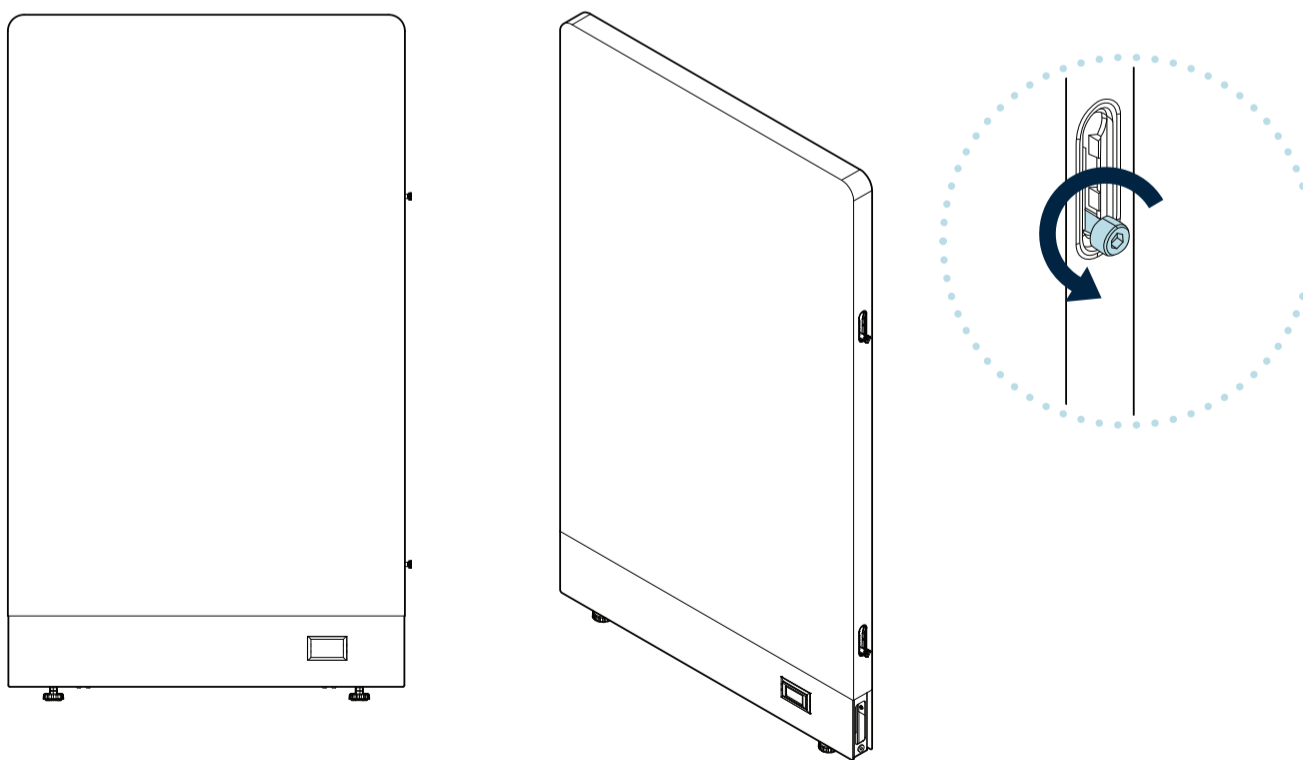
Once your layout is set up, you can level the system by adjusting the feet as needed with the included wrench.

5



If a Stability Foot is required at the end of a panel – arrange the included **PLATE**, **STABILITY FOOT**, **M6 WASHER**, and **M6x16MM SCREW** in the order shown above, and secure it to the base of the panel using a **4MM ALLEN KEY**.

TROUBLESHOOTING STEPS



If you are having trouble locking the panels into place, use the Allen key to slightly loosen the shoulder bolt(s), then try re-attaching the panel. Loosen as needed.

Fire Rating	Flame Spread Index	Smoke Developed Index
Class A	0 - 25	0 - 450