

# L-Shape Electric Standing Desk 80x80

**vari.**<sup>®</sup>



## **WORK SITTING OR STANDING**

Embrace the flexibility of adjusting your desk to any height between 25" and 50 ½". With four programmable height settings, you can find the perfect ergonomic position to support your well-being and enhance your comfort.

## **ADAPTABLE DESIGN**

Choose either left- or right-side orientations to fit your design needs and personal preference.

## **POWERFULLY QUIET**

With three whisper-quiet motors, this desk effortlessly lifts up to 200 pounds and is stable at any height.

## **VERSATILE ACCESSORIES**

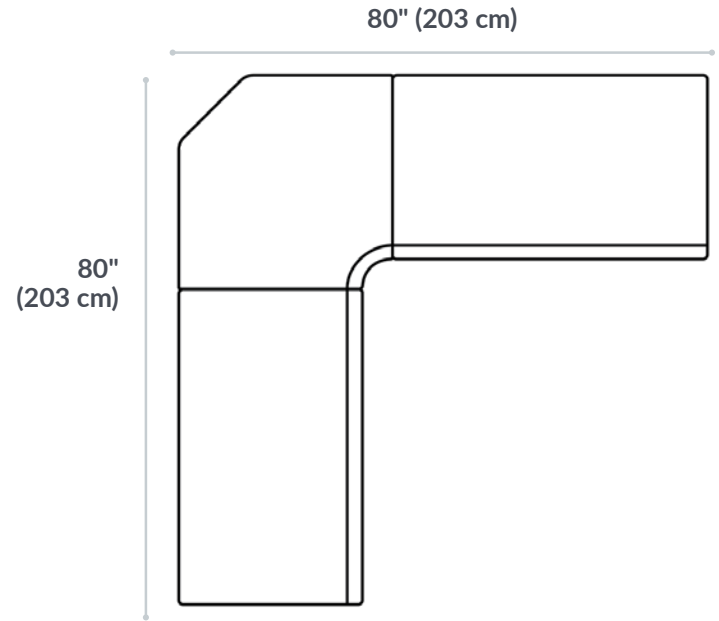
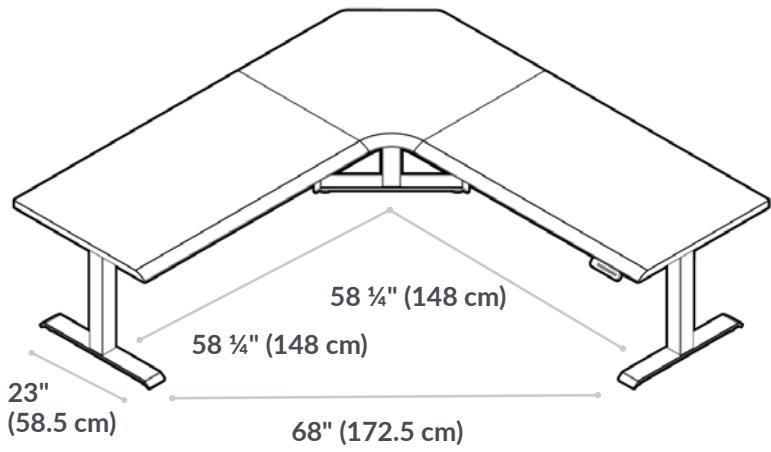
Customize your desk to meet your needs with compatible accessories, like a Privacy + Modesty Panels, Cable Management Tray, Desk Drawer, Undermount Storage and Monitor Arms.

## **EASY ASSEMBLY**

The desk takes just minutes to assemble with no drilling required, letting you get up and working fast.

## **QUALITY CERTIFIED**

The L-Shape Electric Standing Desk 80x80 has UL 962 recognized components, is tested to BIFMA X5.5-2021, and meets or exceeds BIFMA's durability standards for office furniture.



Desk Top Thickness: 1 ¼" (3 cm)

Height Settings: 25" (63.5 cm) to 50 ½" (128 cm)

