

Performance Task Chair

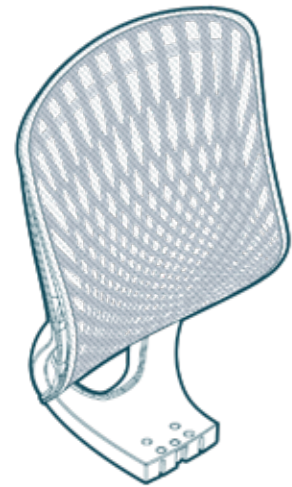


2 People
Recommended



Holds up to
275 lb (125 kg)

vari®



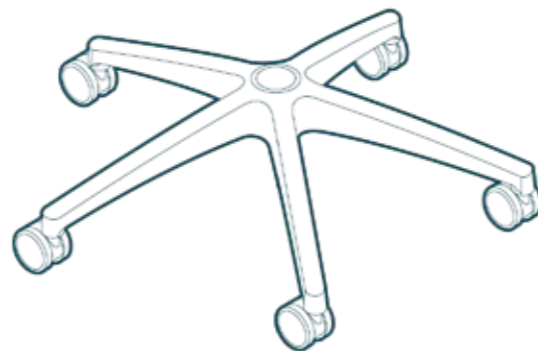
SEAT BACK
x1



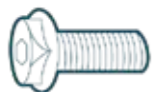
SEAT
x1



PISTON
x1



CHAIR BASE
x1

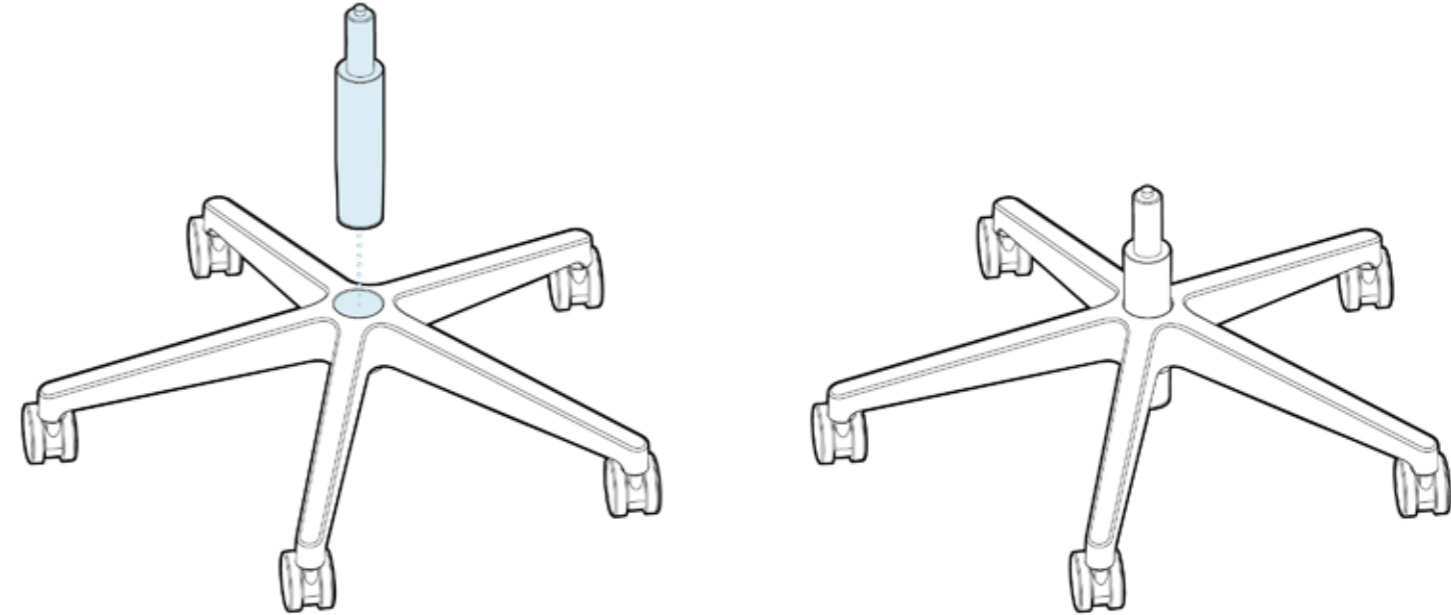


M8x30mm BOLTS
x5



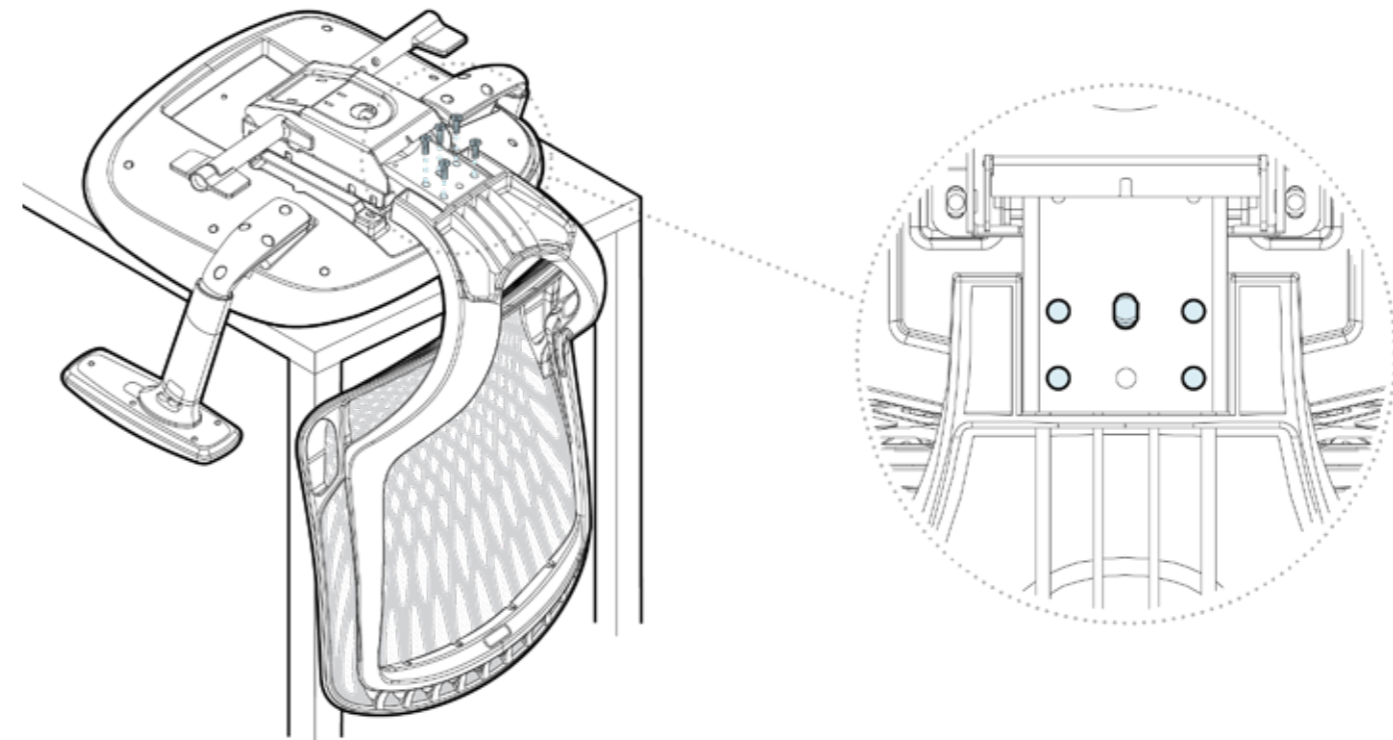
ALLEN KEY
x1

1



Place the piston into the chair base with the smaller side pointed up.

2



Place the seat onto a table, and then line up the holes to connect the seat back to the seat. Then, insert the bolts into the highlighted holes above, and use the Allen key to tighten them into place.



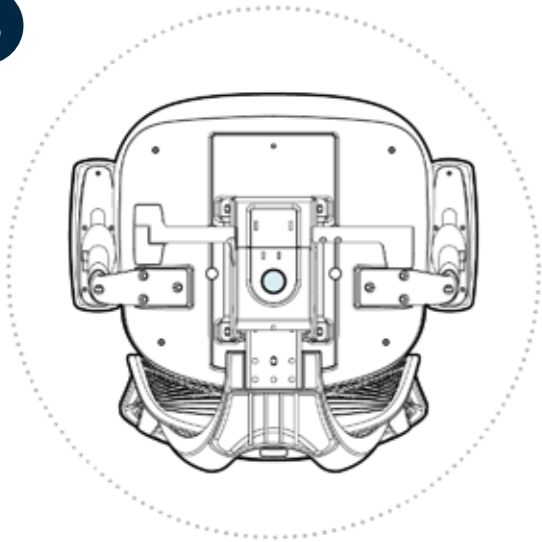
(800) 207-2587

Patent and trademark information: vari.com/patents |
©2021 Varidesk, LLC All rights reserved.



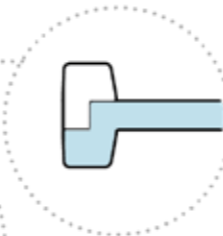
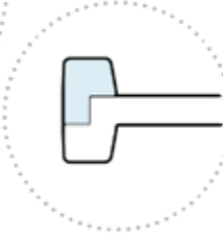
WARNING: To prevent injuries and product failure, do not use this chair for standing, climbing, or leaning. Do not use if the chair is damaged or incorrectly assembled.

3

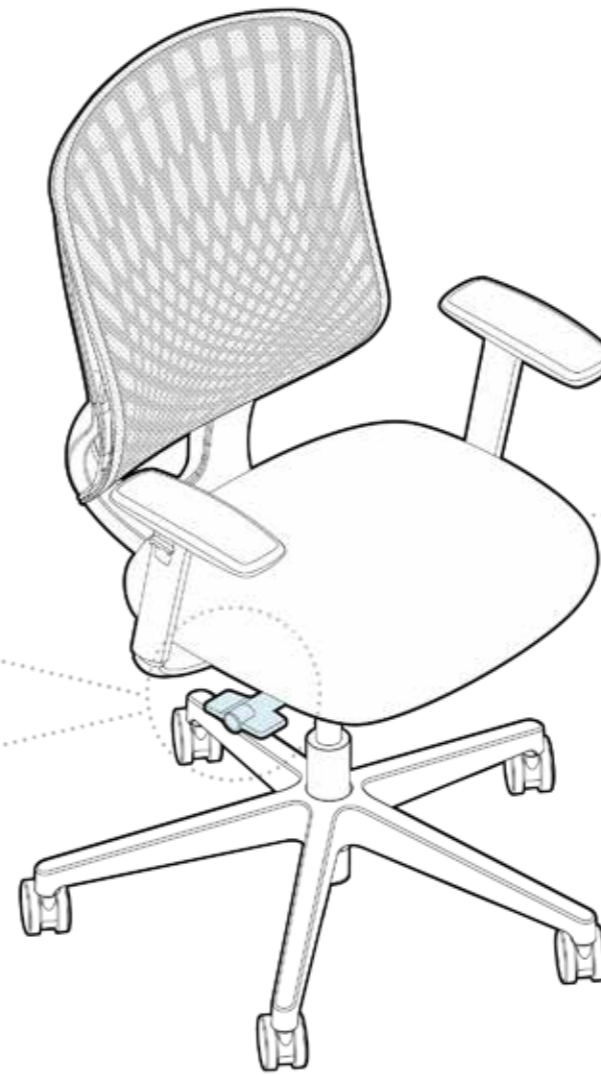


Performance Task Chair Adjustments

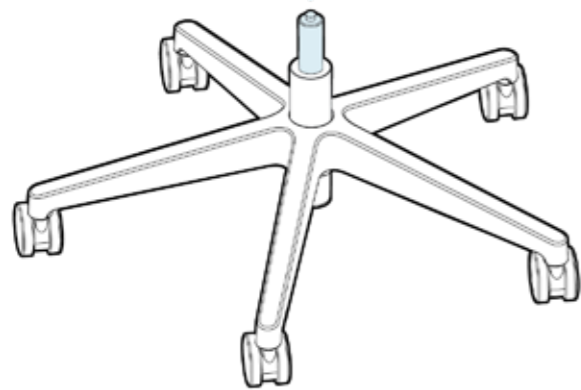
To adjust the seat height, lift the back lever under the right side of the chair seat.



To move the seat base forward or backward, lift the front lever under the right side of the chair seat.



To lock the seat in an upright or reclined position, use the lever under the left side of the chair seat.



With assistance, take the assembled seat, and place the highlighted section of the mechanism onto the highlighted section of the piston.

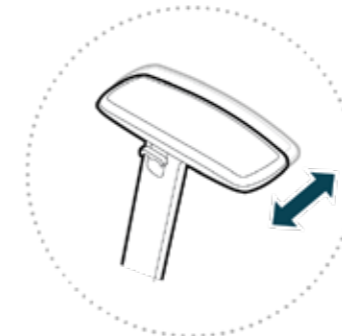
4D Arm Adjustments



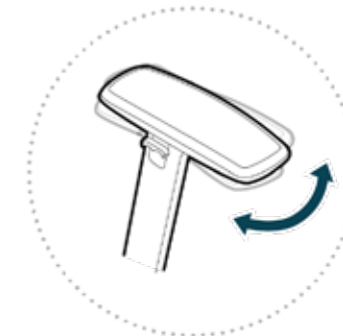
To adjust the arm height, press and hold the button on the outside of the arms. Lift or lower the arms, and release the button once at the desired height.



To adjust the front-to-back position of the armrest, gently grab the center of the armrest, and slide forward or backward into the desired position.



To adjust the side-to-side position of the armrest, gently grab the center of the armrest, and slide inward or outward into the desired position.



To adjust the angle of the armrest, gently grab the front or back of the armrest, and twist laterally into the desired position.