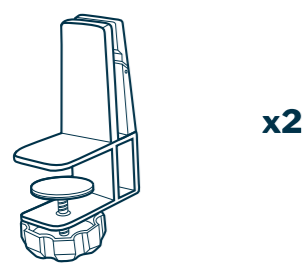


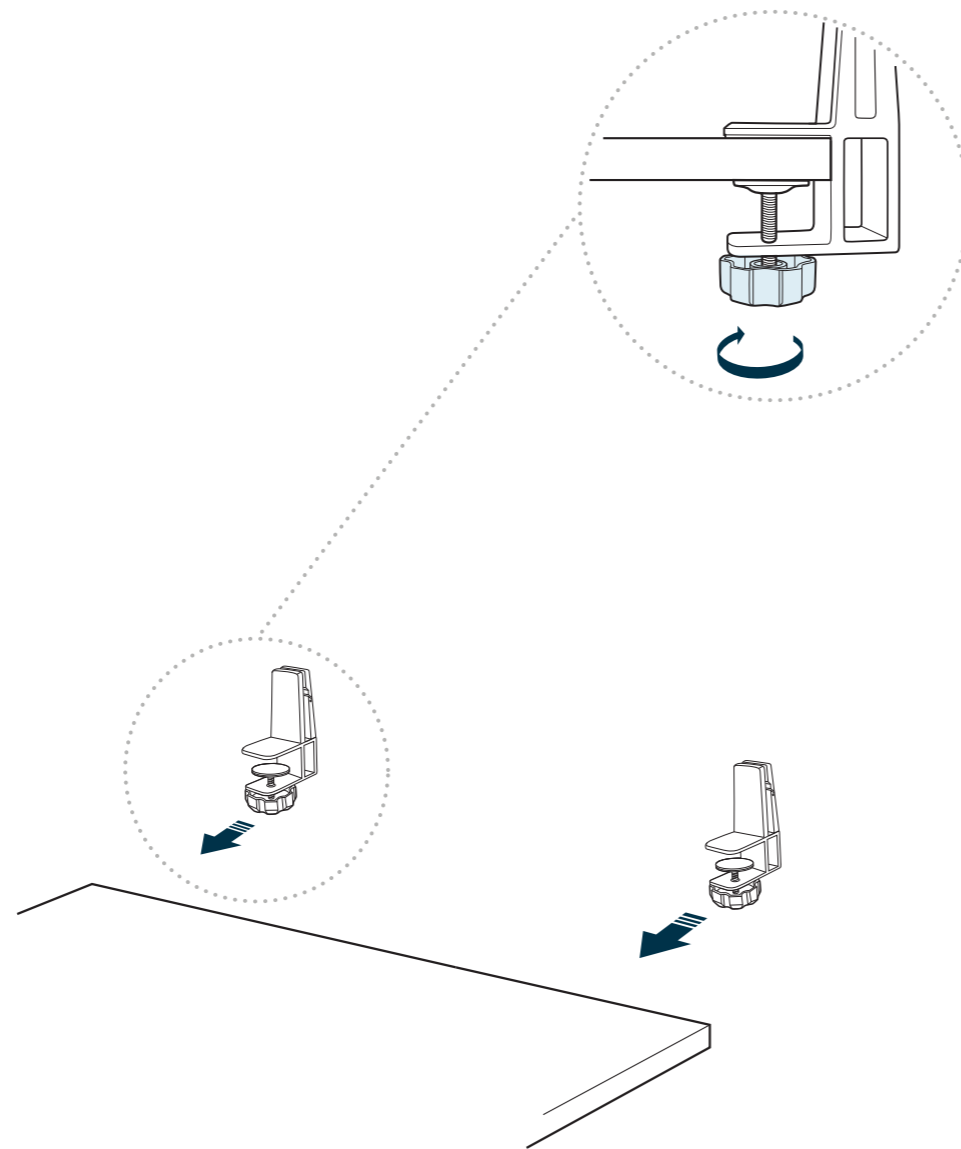
Acrylic Privacy Panel



vari®

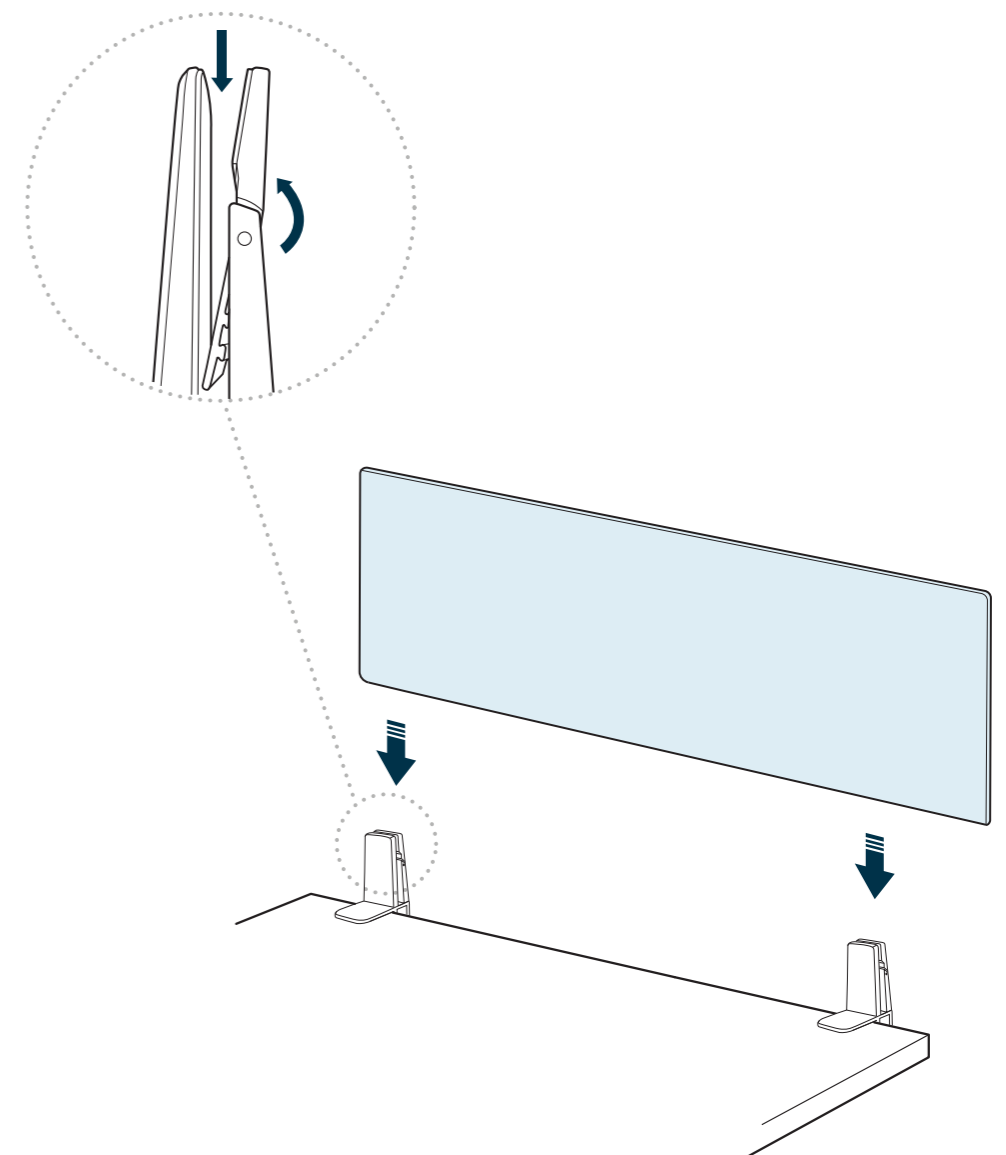


1



Position each clamp at about the same distance on the side of the desk. Slide the clamps onto the edge of the desk and tighten them using the hand bolts.

2



Carefully slide the acrylic panel all the way down into the brackets.

Please note: The levered brackets are designed to hold the panel securely in place. As you gently push the panel down, the levers will move to accommodate the panel.

