

# vari®



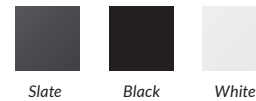
## L-Shape Electric Standing Desk 80x60

Meet the L-Shape Electric Standing Desk 80x60 from Vari®—a bold, flexible solution for maximizing your workspace. Its expansive surface, reversible configuration, and ergonomic ComfortEdge™ design keep you comfortable and in control. Built for strength, simplicity, and seamless setup, it's ready to support every workstyle.

### TOP FINISHES



### BASE FINISHES



*\*Finishes subject to change. Not all desktop and base combinations available. Please visit [vari.com](http://vari.com) for more details.*

### FEATURES

**The Corner Desk for any Space:** Easily assemble the L-shaped desk and configure the short desktop on the left or right to your preference.

**Curved Comfortably:** Features our ergonomic ComfortEdge™ design that slopes softly downward, creating comfortable rest points for forearms, elbows, and wrists.

**Versatile Accessories:** Customize your desk to meet your needs with compatible accessories, like a Cable Management Tray, Desk Drawer, Undermount Storage, and Privacy + Modesty Panels.

### SHIPPING

Free shipping in contiguous US. Fulfilled as multi-piece shipments and parcels may arrive separately.

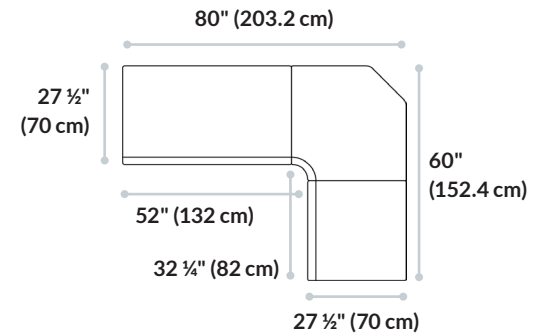
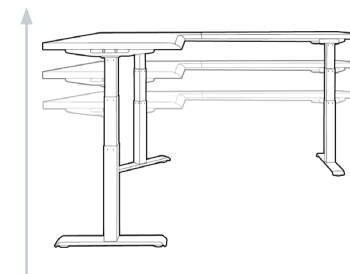
### LIFETIME WARRANTY

Covered by a lifetime warranty against defects in material or workmanship that appear due to normal use.

### CERTIFICATIONS

UL962 Listed and UL certified to BIFMA Standards.

25" (63.5 cm) to  
50 ½" (128 cm)



**Weight Capacity:** 200 lb

**Lift Range:** 25" – 50 ½"

**Dimensions:** 80" x 60" x 27 ½"

**Desktop Thickness:** 1 ¼"