

Upholstered Desk Chair



2 People
Required



Holds up to
275 lb (124.7 kg)

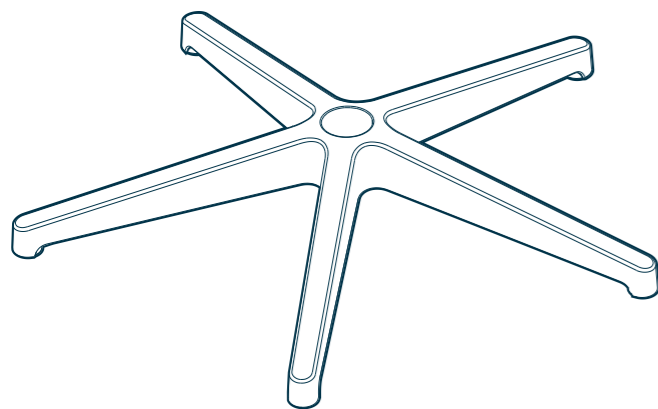
vari®



SEAT
x1



PISTON
x1

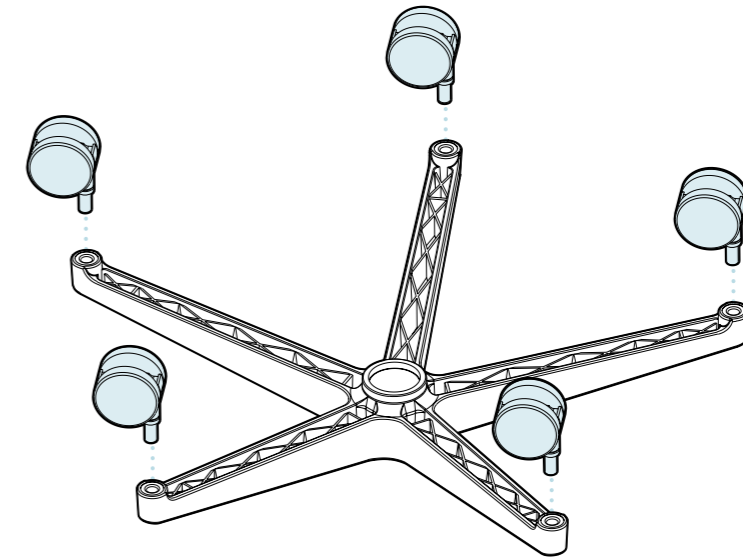


CHAIR BASE
x1



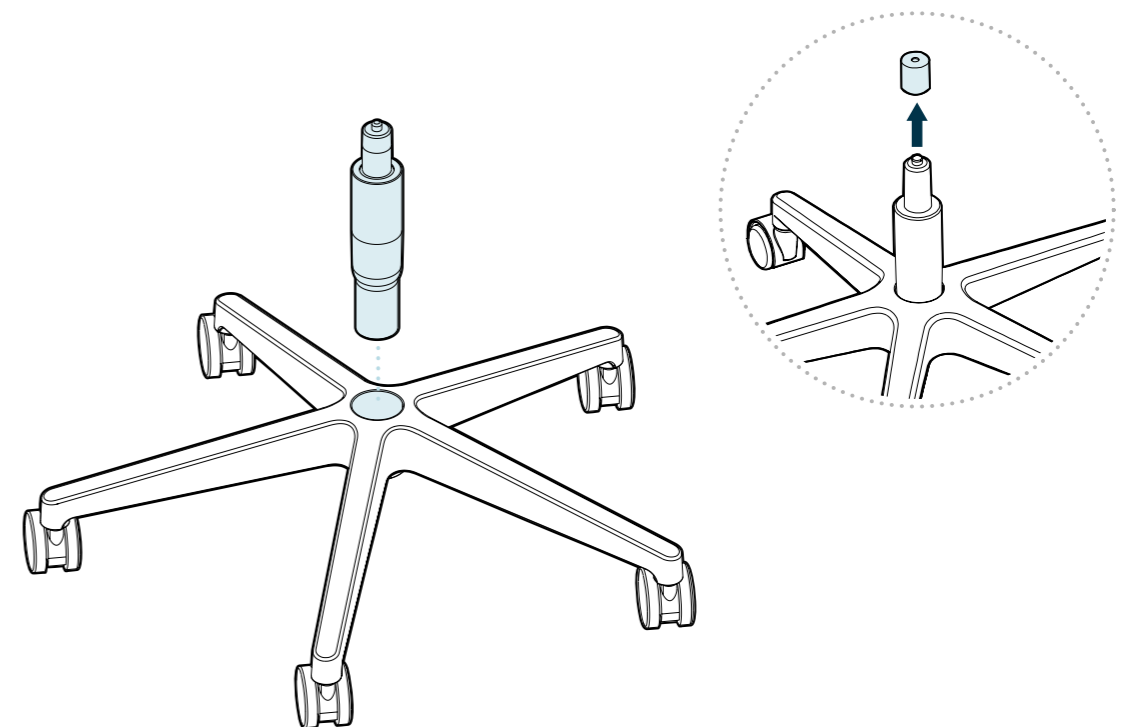
CASTERS
x5

1



Place the five (5) casters into the chair base and push down until they snap into place. Once casters are attached to the base, flip the base so the casters are on the ground.

2



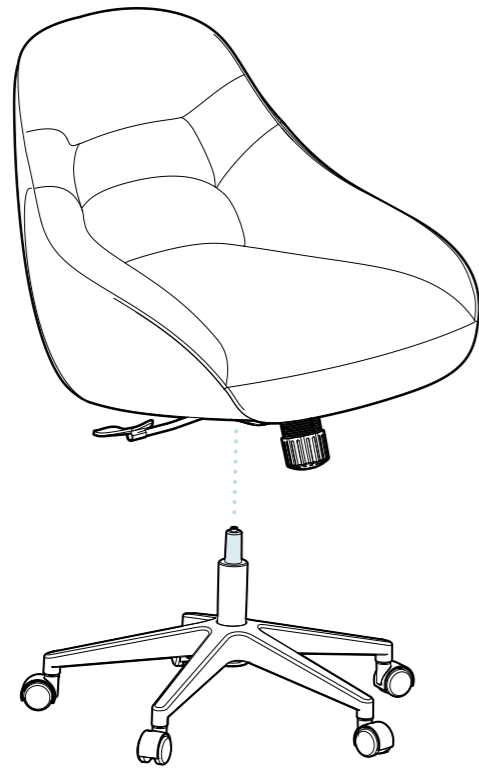
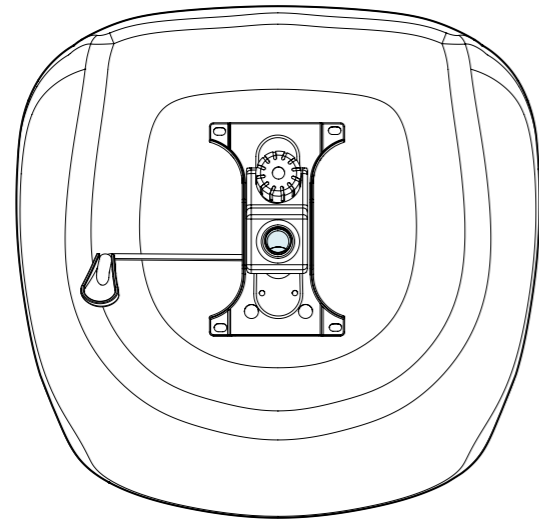
Place the piston into the center of the base with the smaller side pointed up. If there is a piston cap cover, remove it now.



(800) 207-2587

Patent and trademark information: vari.com/patents
©2021 Varidesk, LLC All rights reserved.

3



With assistance, take the assembled chair seat and place the highlighted section of the mechanism onto the highlighted section of the piston.

Product Adjustments



To adjust seat height, use the lever under the right side of the chair seat.



To adjust how easily the seat reclines, turn the knob under the front of the seat clockwise to increase tension and counter clockwise to decrease tension.