

Dual-Monitor Arm



Monitors up to
27" per arm

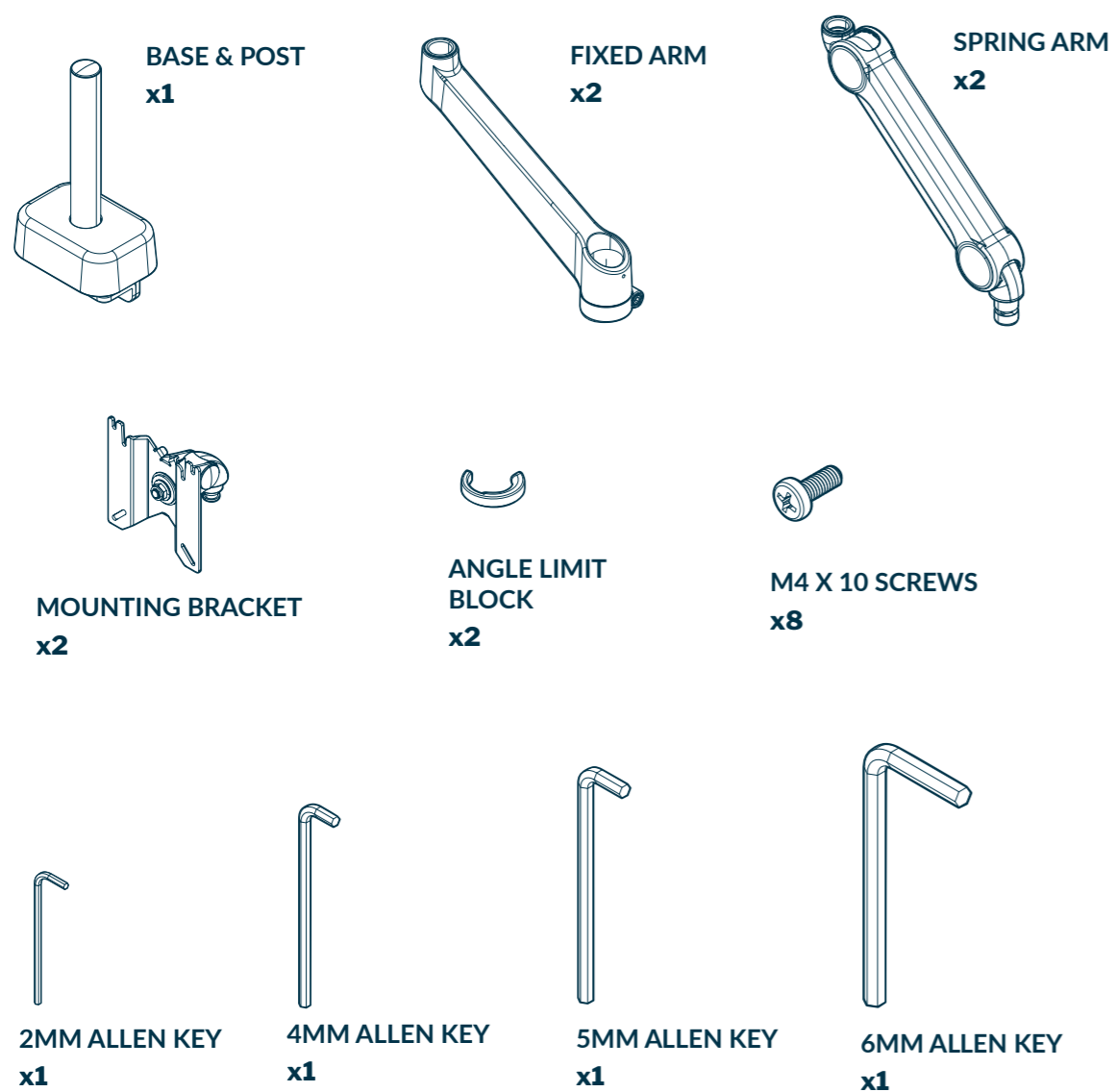


Holds up to 19.8 lb
(9 kg) per arm

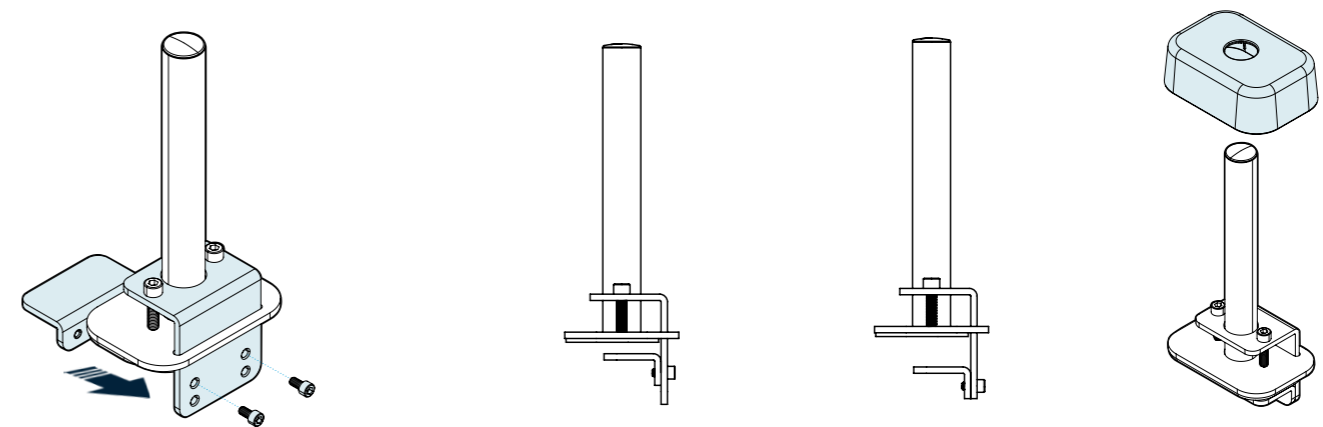
vari®

APPLIES TO VARI'S: Dual-Monitor Arm and Laptop Holder

DUAL-MONITOR ARM COMPONENTS

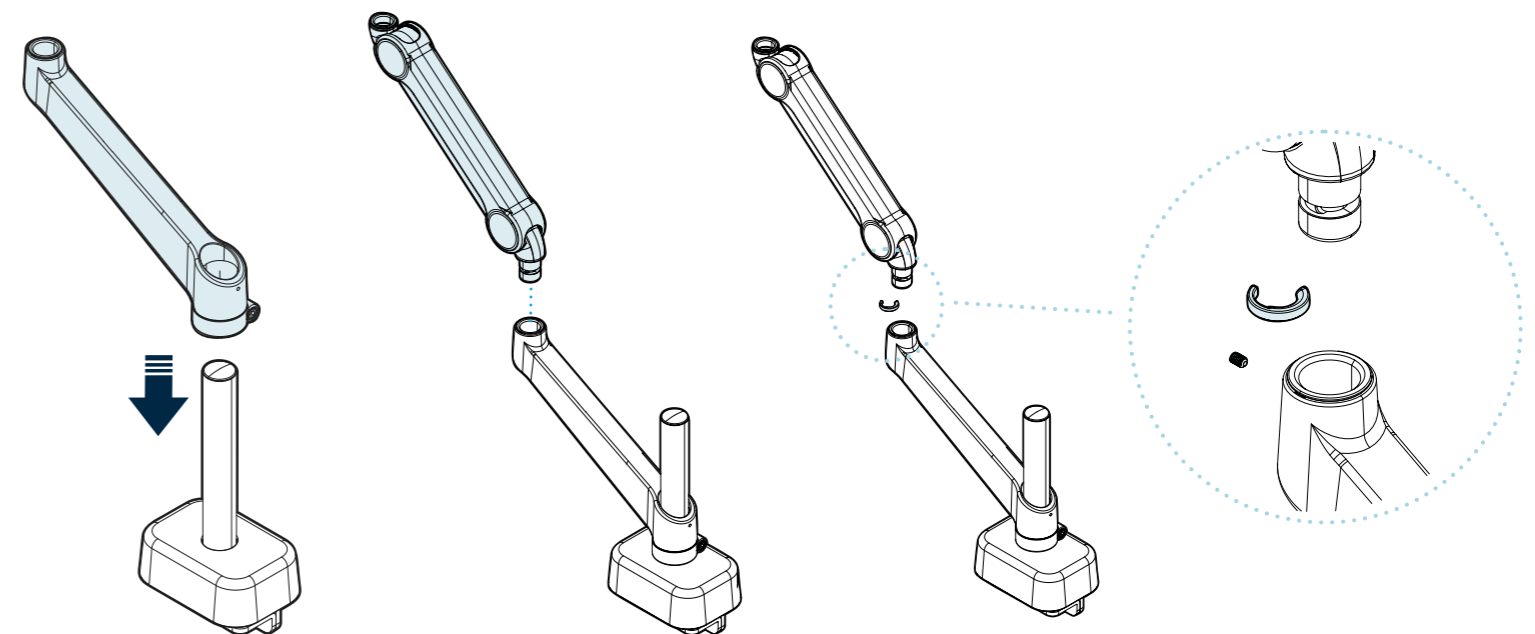


1



Position the **BASE & POST** at the desired location on your desk. Secure the clamp to the desk using the **6MM ALLEN KEY**. If the clamp does not fit properly, adjust clamp width using the **5MM ALLEN KEY** before tightening completely. Once positioned correctly, fully tighten the clamp to ensure the post is secure and does not move during use. Then place base cover back onto post.

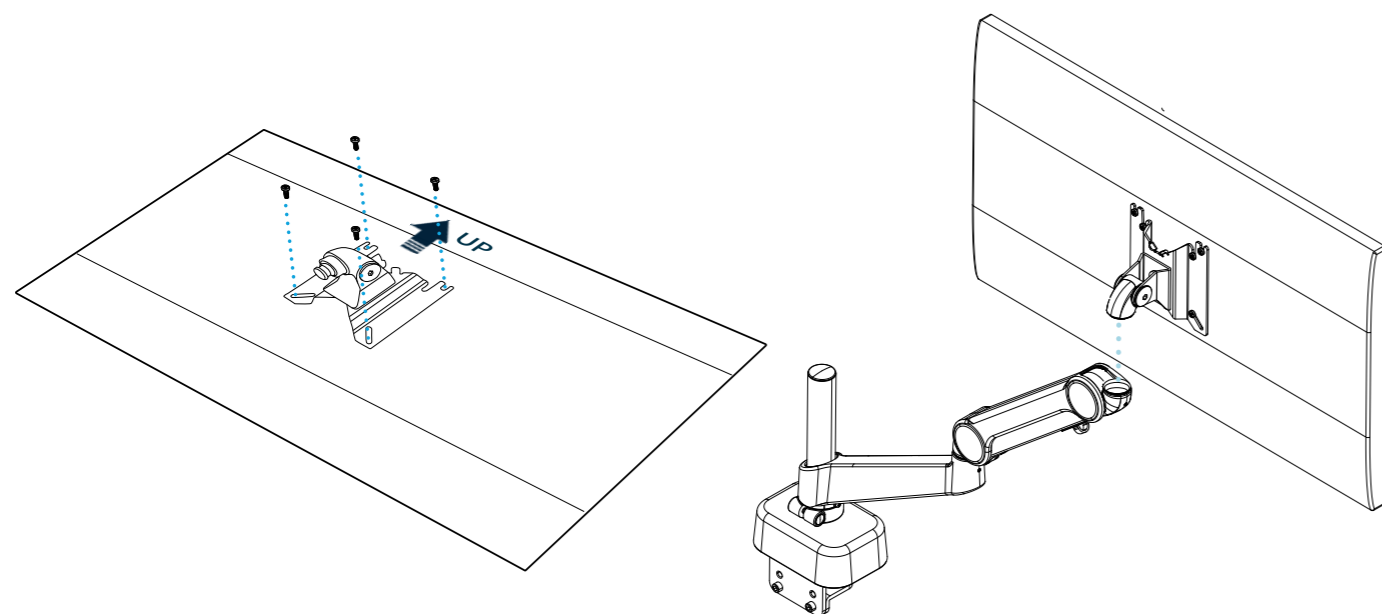
2



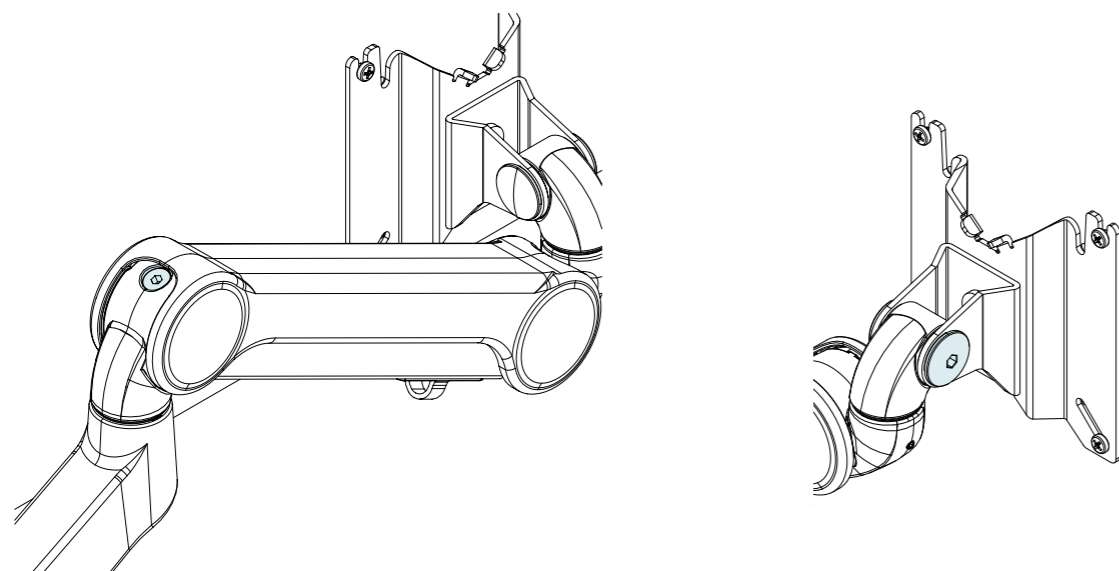
Slide the **FIXED ARM** onto the post. Tighten the set screw on the side of the arm. Attach the **SPRING ARM** to the fixed arm. Secure using the **2MM ALLEN KEY**. Confirm that both arms move smoothly before continuing. Repeat this process for the second monitor arm.

NOTE: Install the **ANGLE LIMIT BLOCK** if you would like to restrict rotation to 90°. This can help prevent the arm from extending into walls, panels, or adjacent workstations.

 (800) 207-2587

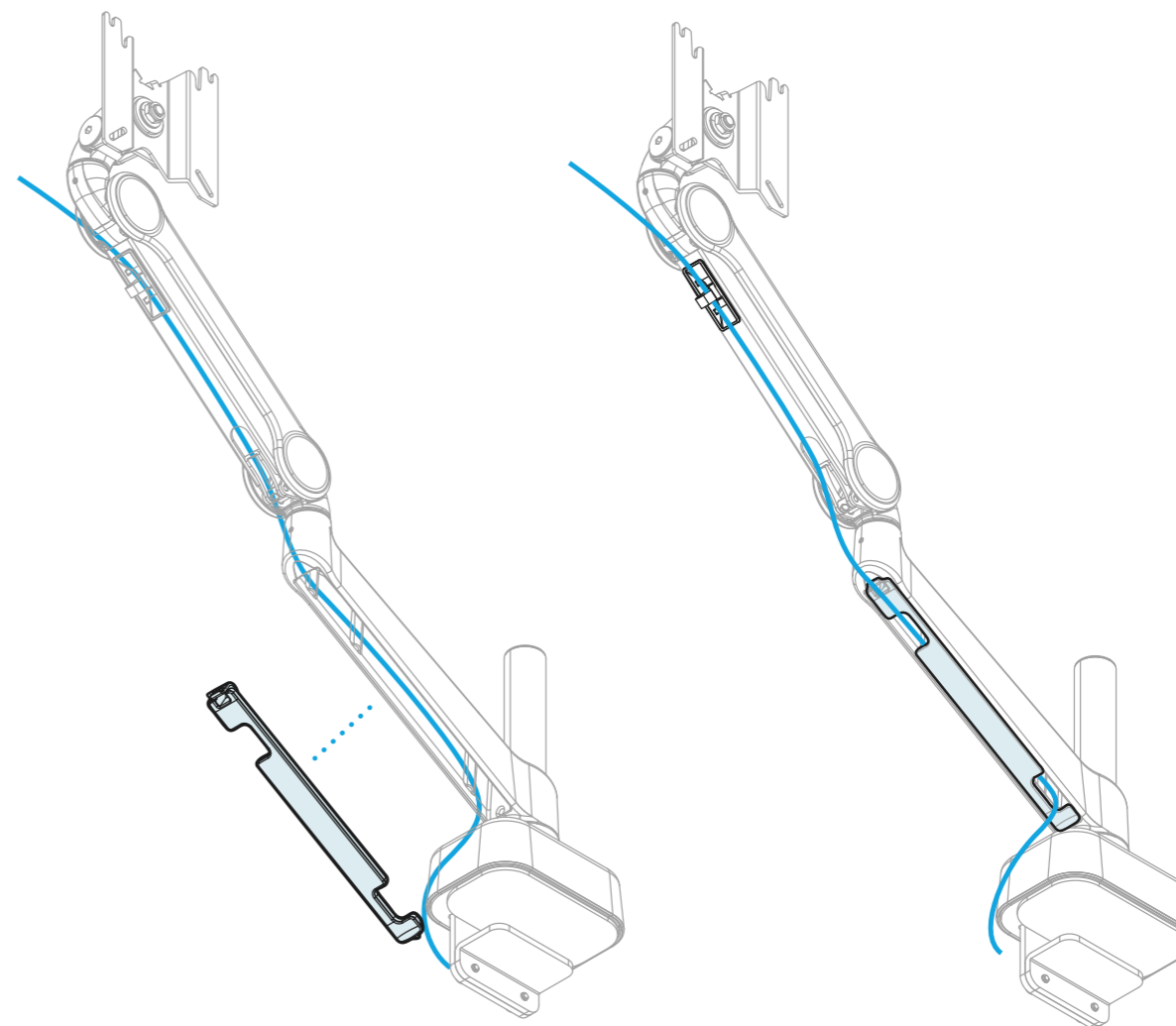
3

Attach the **MOUNTING BRACKET** to the back of your monitor using the **(4) M4 X 10 SCREWS**. Hook the monitor onto the spring arm and fully tighten all screws. Repeat step for second monitor.

4

Use the **4MM ALLEN KEY** to adjust spring tension. Use the **5MM ALLEN KEY** to adjust joint friction. Start light, then increase until your monitor holds position comfortably.

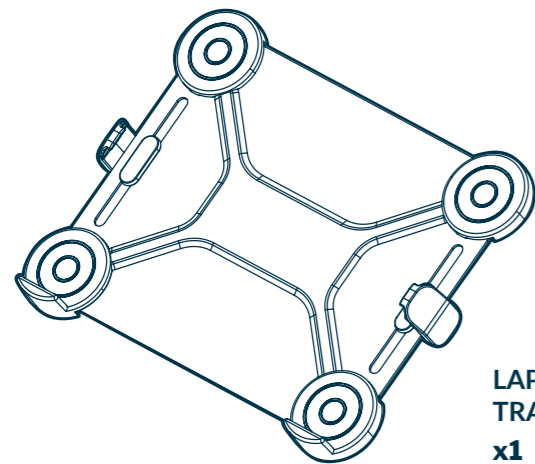
Start with light tension and ensure your monitor is installed before making final adjustments. Gradually increase tension until the monitor remains stable at the desired height and position.

5

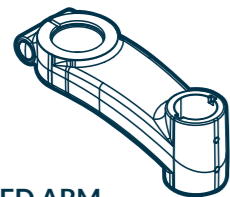
Remove cable cover from **FIXED ARM**. Route cables through the fixed arm arm and use hook on the underside of the **SPRING ARM** to support cords. Reinstall cover on the fixed arm.

Laptop Holder

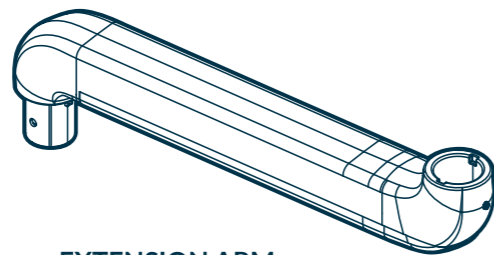
LAPTOP HOLDER COMPONENTS



LAPTOP HOLDER TRAY
x1



4" FIXED ARM
x1



EXTENSION ARM
x1



13MM WRENCH
x1

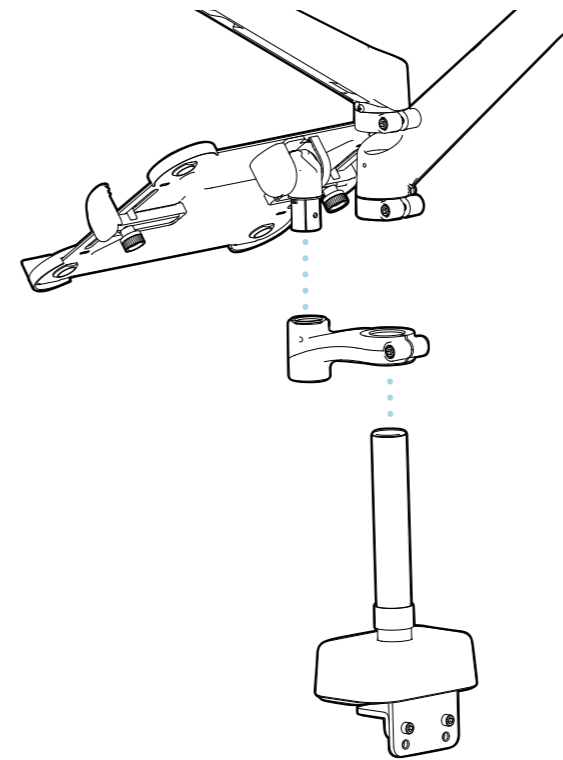


2MM ALLEN KEY
x1



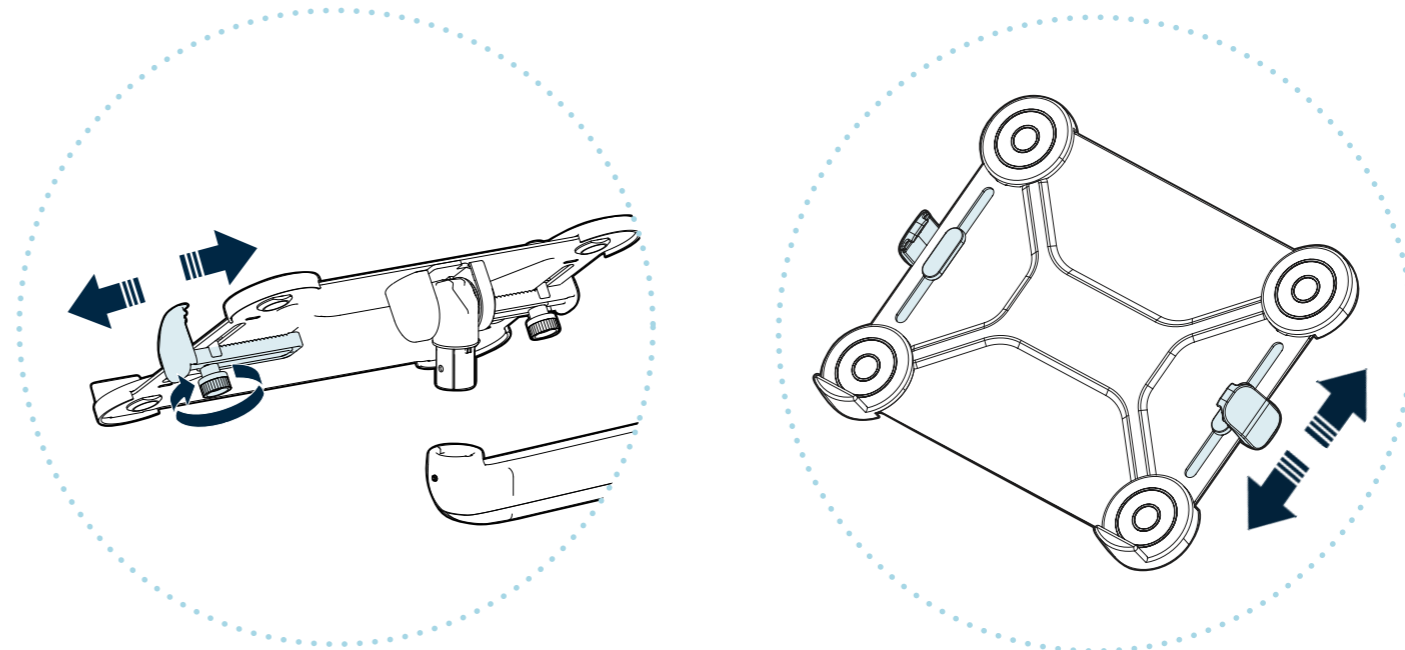
5MM ALLEN KEY
x1

1



Attach the **4" FIXED ARM** to the post at desired height, then the **LAPTOP HOLDER TRAY**. Do this before assembling monitor arms. Tighten all set screws using the **2MM ALLEN KEY**.

2



The **LAPTOP HOLDER TRAY** can be adjusted to accommodate different laptop sizes. To widen or narrow the side clamps:

1. Loosen the adjustment knobs located on the underside of each clamp.
2. Slide the clamps inward or outward to fit your laptop width.
3. Slide clamps up or down where you would like them to contact the laptop.
4. Retighten the adjustment knobs securely before use.