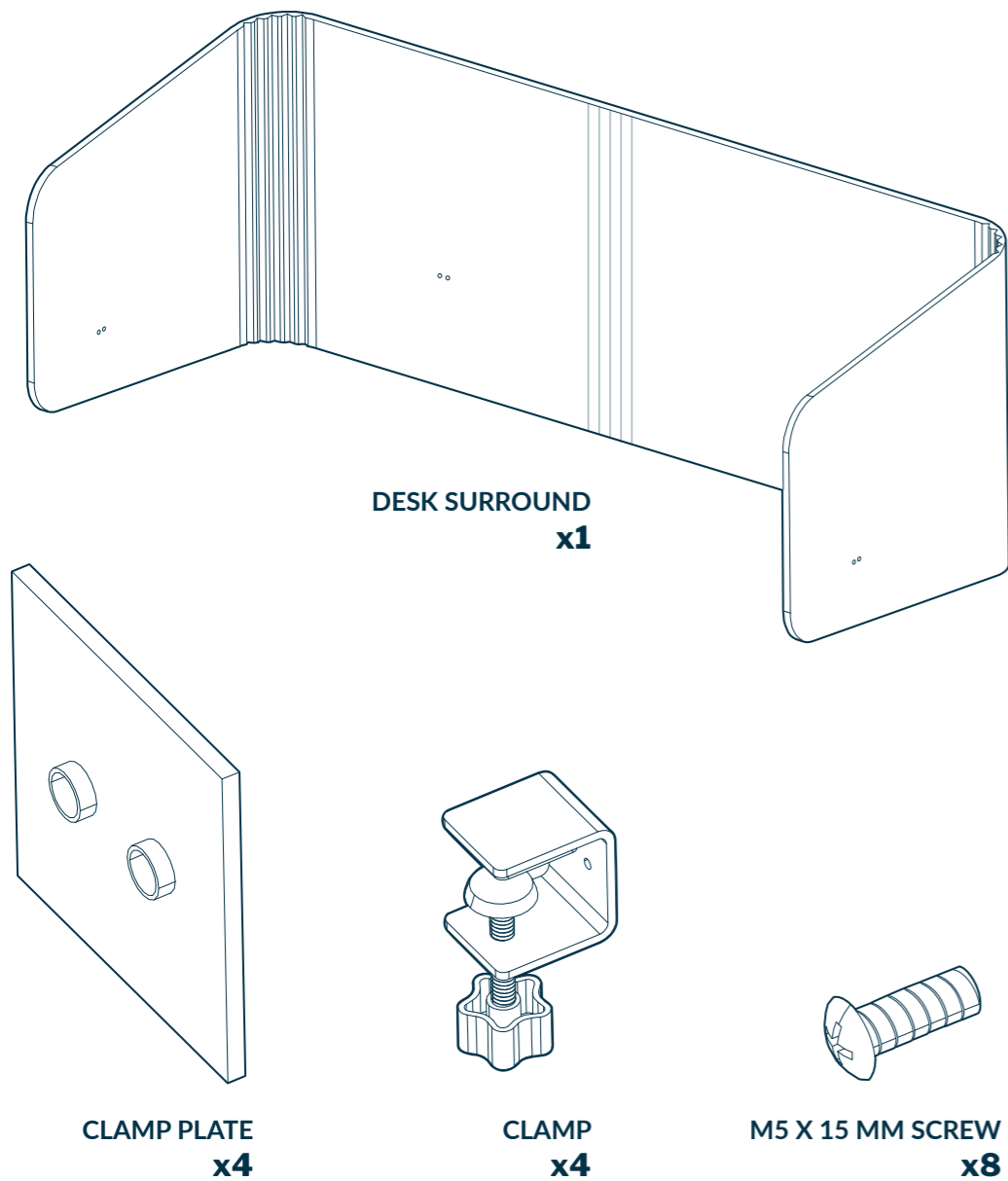
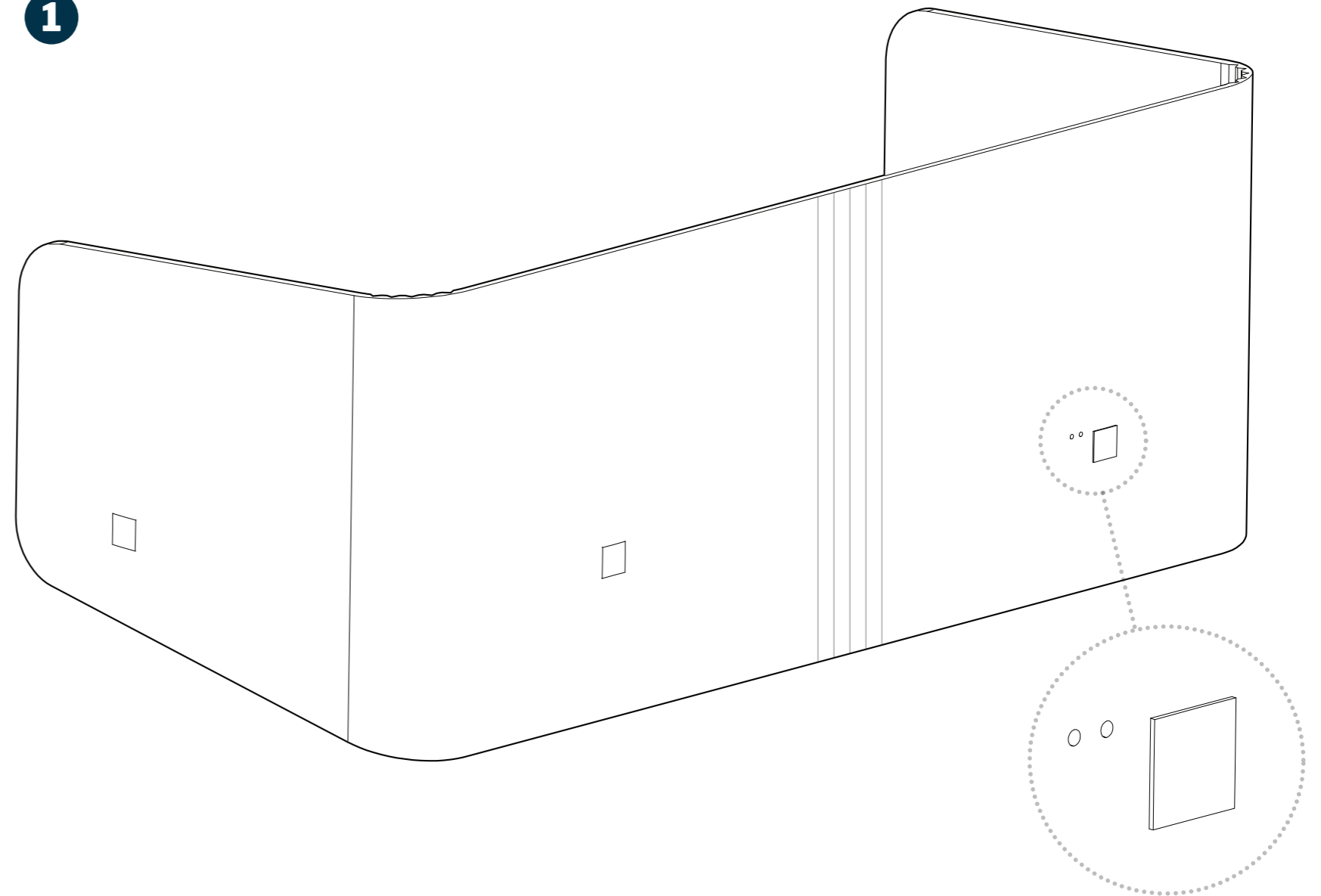


Privacy Desk Surround and Tall Privacy Desk Surround

vari®



1

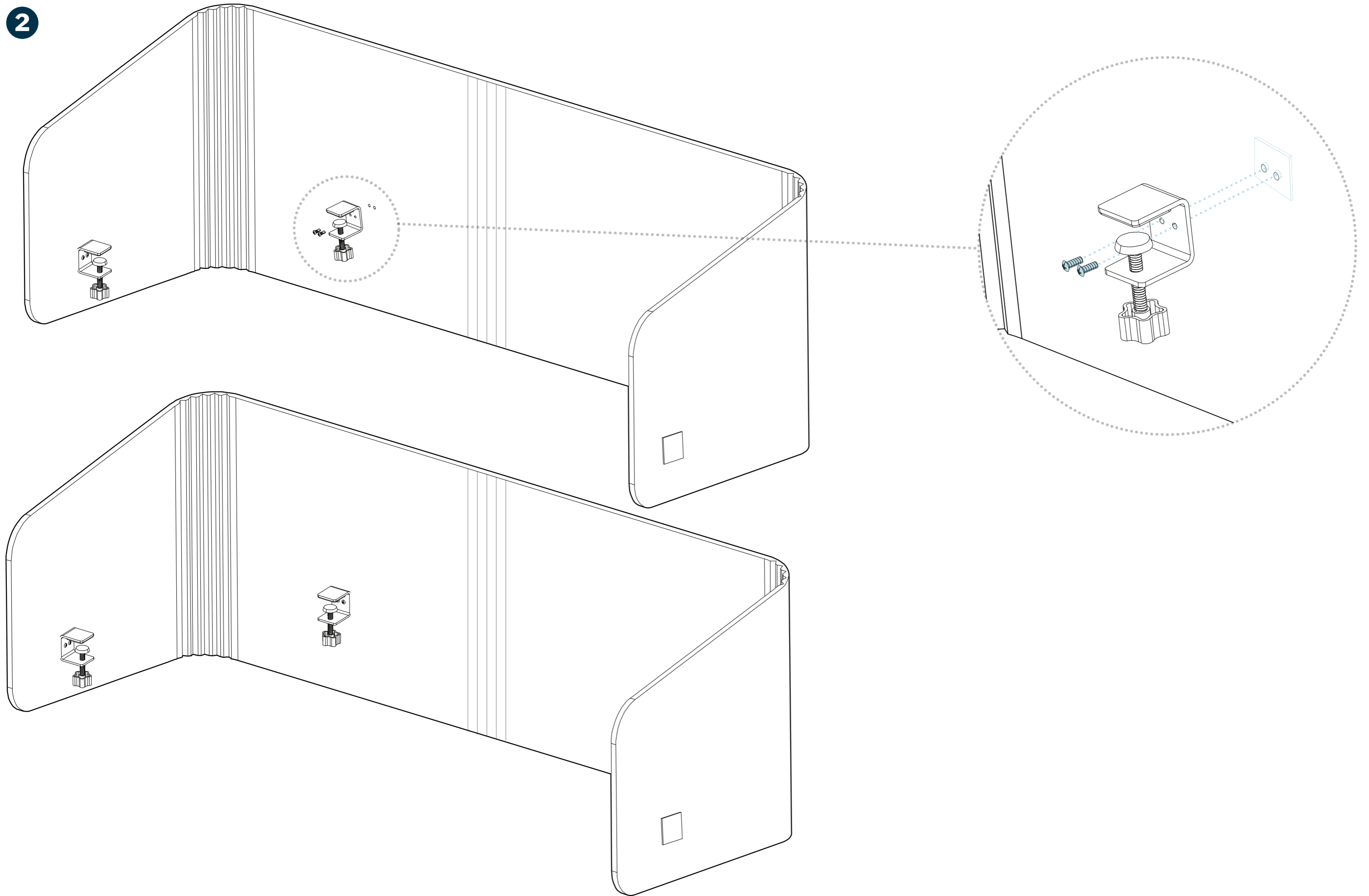


Remove the surround from the box and unfold it. Push the protruding edges of the Clamp Plate into the holes in the desk surround. Use two Clamp Plates on the back and one on each side. **Note: The Privacy Desk Surround and Tall Privacy Desk Surround are only compatible with Vari Electric Standing Desks 60" x 30" and 60" x 24".**

Tools Needed (Not Included)

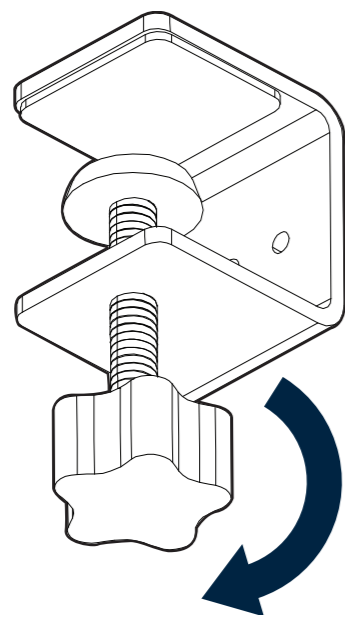
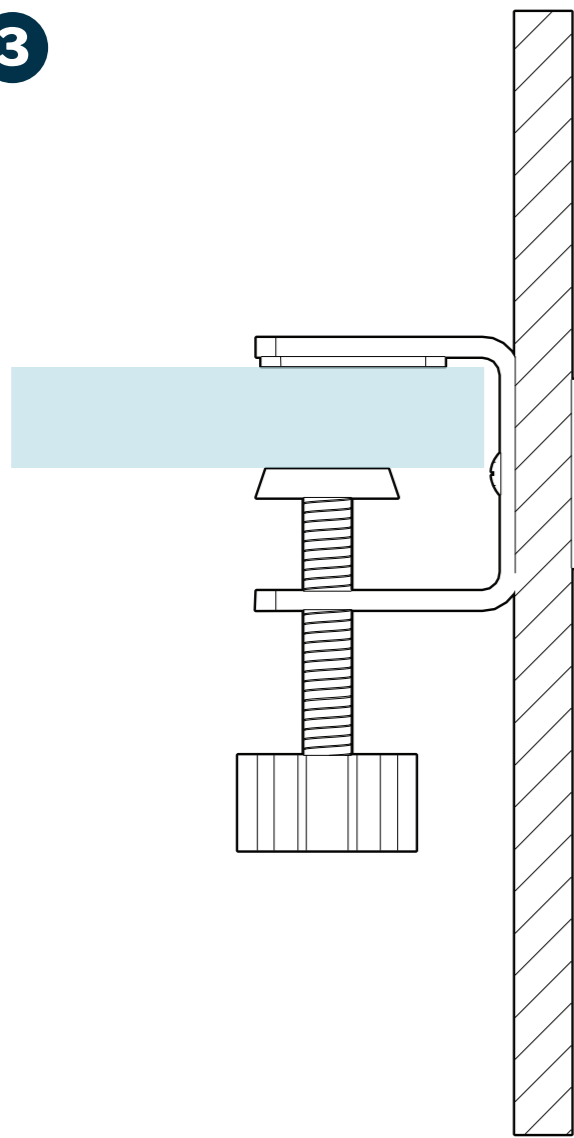
- PHILLIPS SCREWDRIVER

2



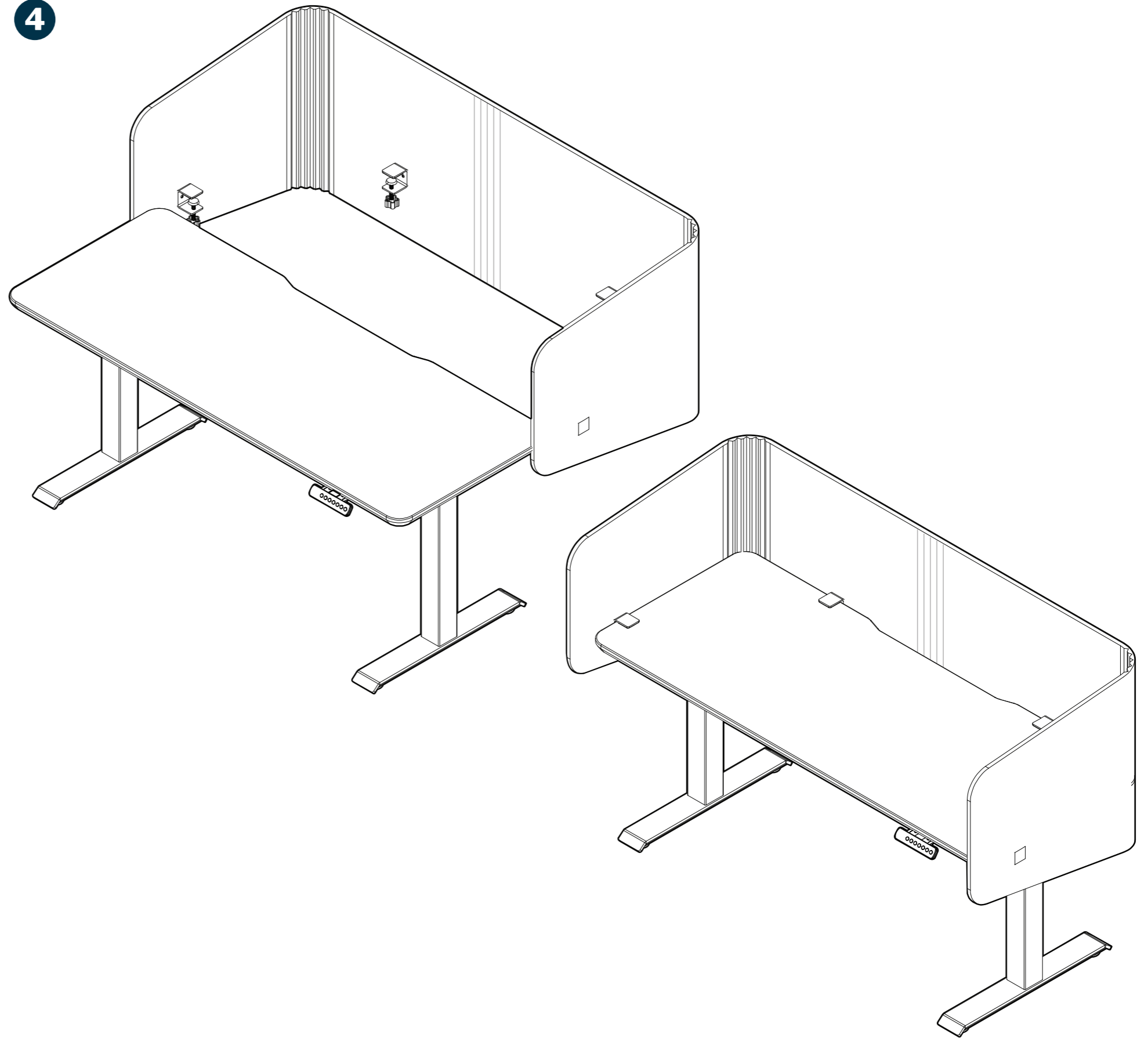
On the inside, align the two holes in the Clamp and insert the screws. Use a Phillips head screwdriver to tighten. Repeat this step for the remaining Clamps

3



Turn the knobs on the Clamps to widen the bracket to match the thickness of the desk surface.

4



Slide the Clamps onto the edge of the worksurface and turn the knobs to secure the Desk Surround to the desk.



CAUTION: Inserting push pins, tacks, or hooks into the panels may cause surface damage and is not recommended.



(800) 207-2587