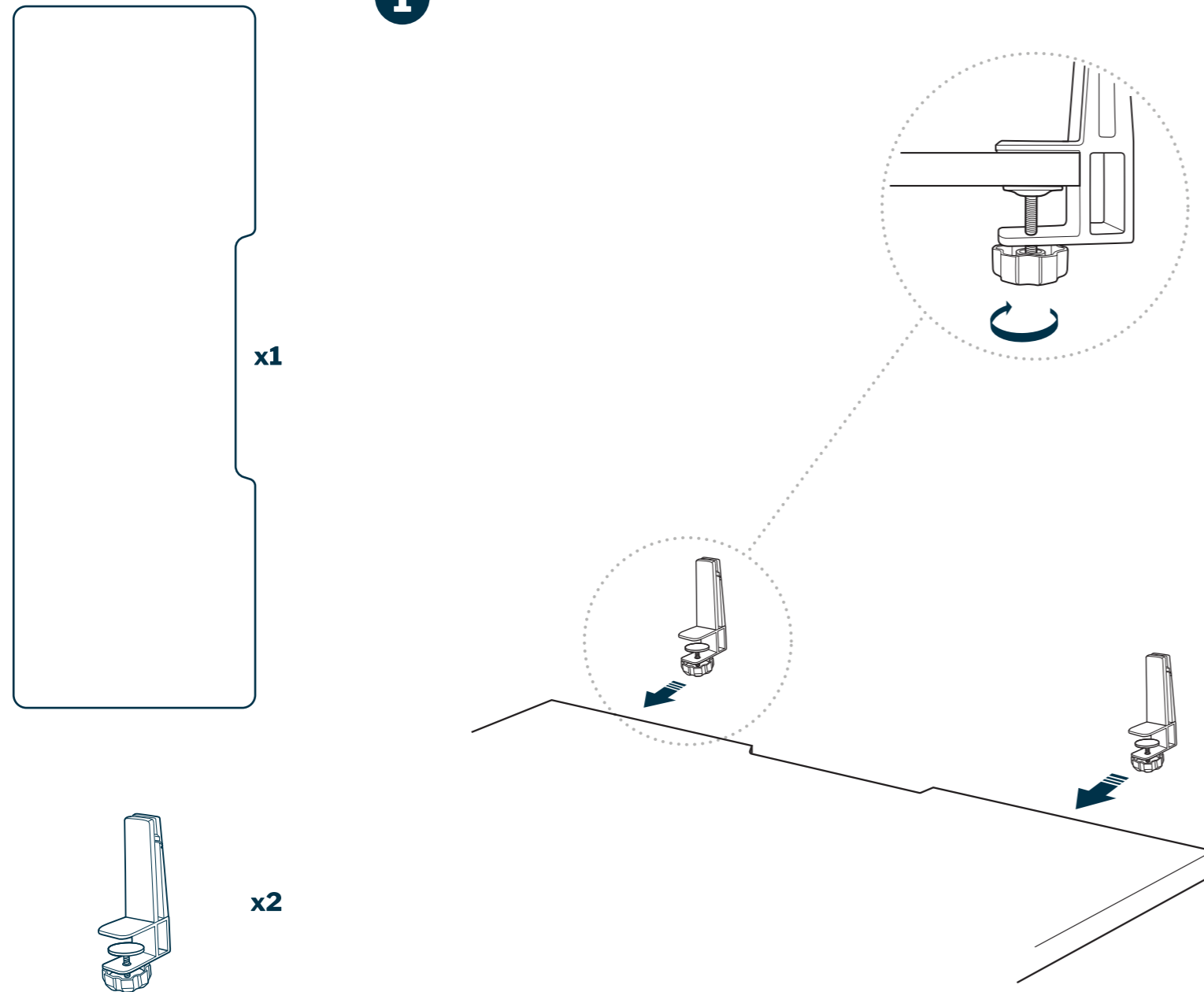


Acrylic Privacy Panel



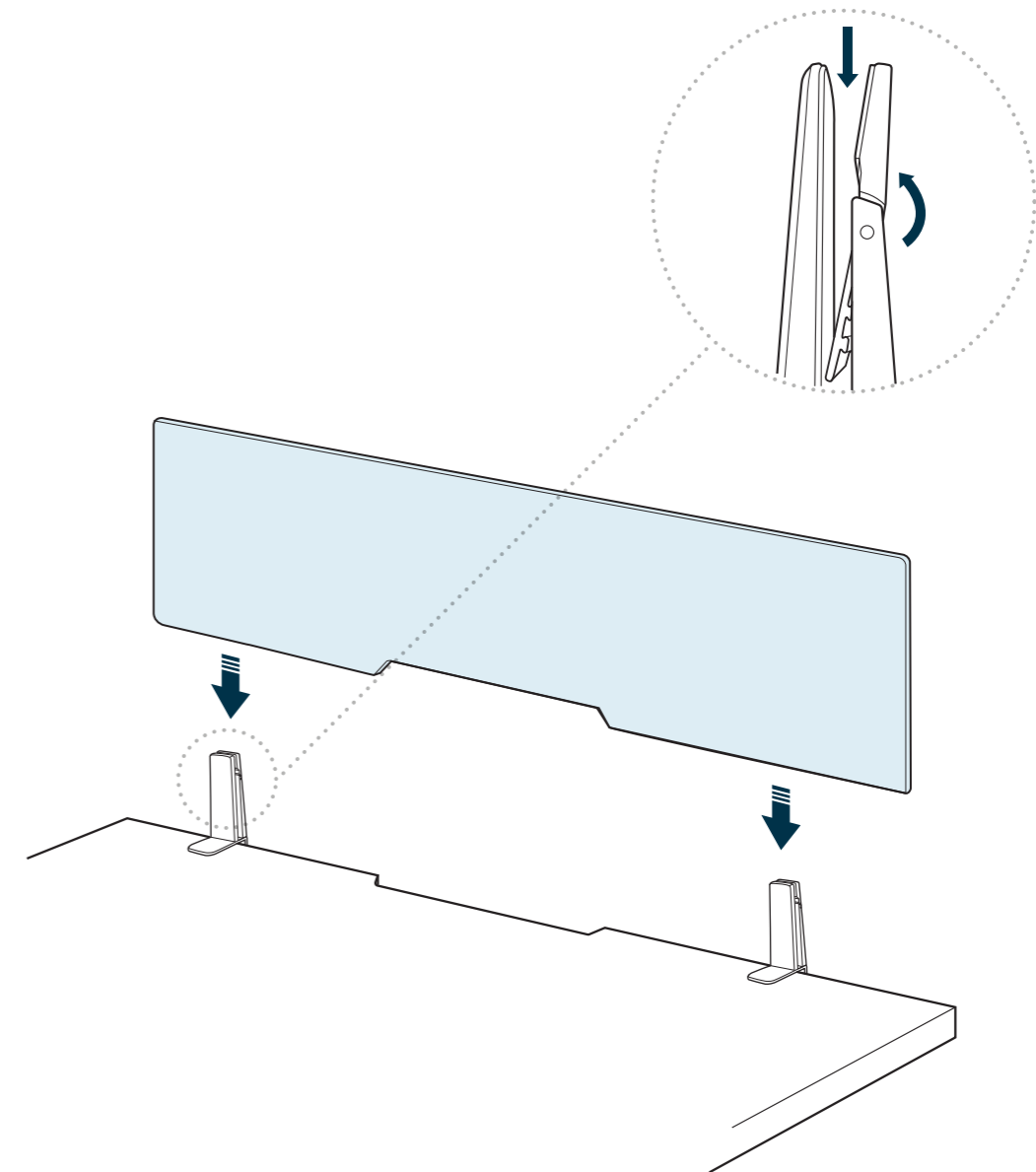
vari®

1



Position each clamp at about the same distance between the corner of the desk and the cable management tray. Slide the clamps onto the edge of the desk and tighten them using the hand bolts.

2



Carefully slide the acrylic panel all the way down into the brackets.

Please note: the levered brackets are designed to hold the panel securely in place. As you gently push the panel down, the levers will move to accommodate the panel.

 **(800) 207-2587**