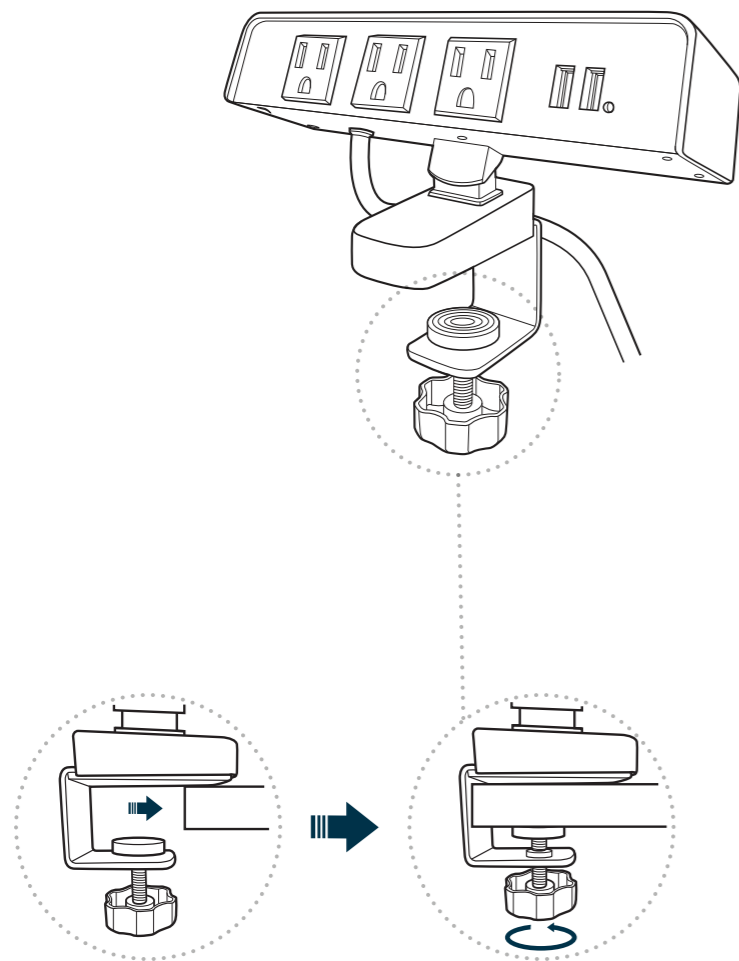


# Power Hub

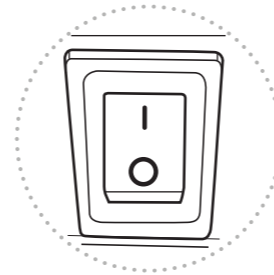
vari®

- 1 Position the Power Hub at the edge of the desk. Slide clamp onto edge and tighten until firmly in place.

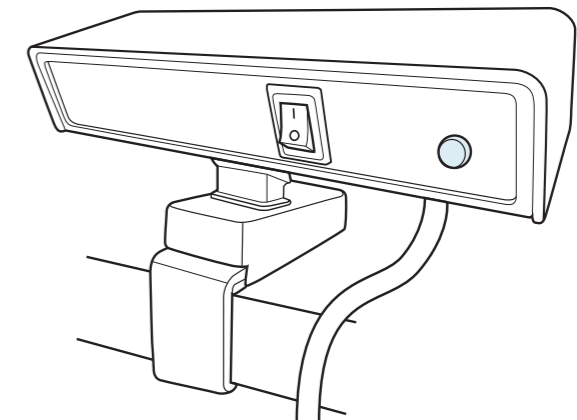


The Power Hub includes 3 AC outlets and 2 USB ports (2.4 Amp and 3 Amp). To use, plug directly into a grounded outlet – do not plug into a power strip. The power button on the back of the Power Hub will need to be switched into the 'on' position.

A green light at the front of the Power Hub indicates it is on and ready for use.



To protect your devices, the Power Hub is equipped with a surge protector. In the event of a power surge, the Power Hub will stop providing power. To turn power back on, press the reset button and make sure the power switch remains in the 'on' position.



**WARNING:** Do not open any of the components, there is a danger of electric shock.



**WARNING:** Keep plug away from heated surfaces.



**WARNING:** To reduce risk of fire, electric shock, or personal injury, use only indoors and do not install in a wet or damp location.



**CAUTION:** Beverages such as water or coffee could cause product failure if spilled.



**WARNING:** Never operate this product if it has a damaged cord or plug, is not working properly, has been dropped or damaged, or was dropped into water. Contact our customer service department during business hours to report any issues. Our service technicians will provide a replacement if necessary.

