

Table 48x24, 60x24, 60x30



All Tools
Provided



Two People
Required



Supports up to
300 lb (136.08 kg)

vari®

Box 1 of 2

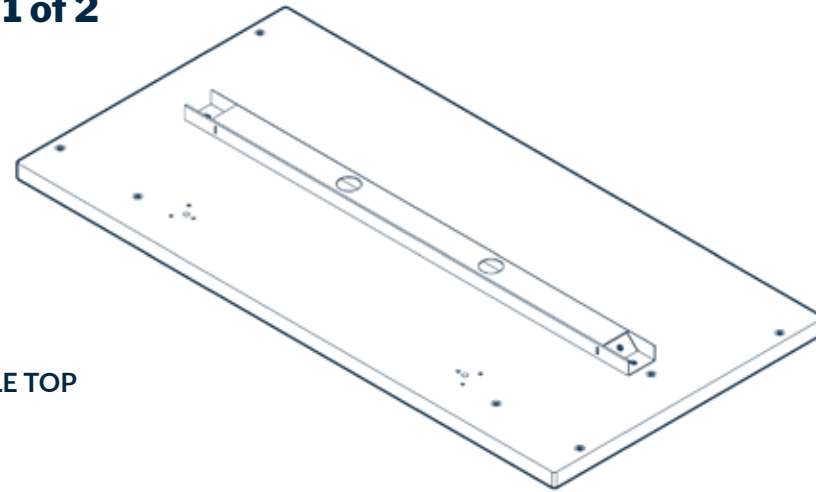


TABLE TOP
x1

Box 2 of 2

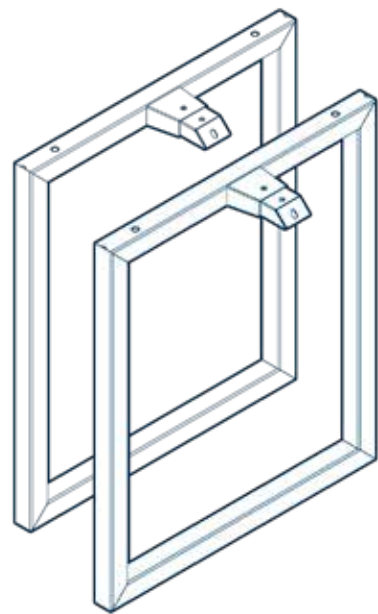
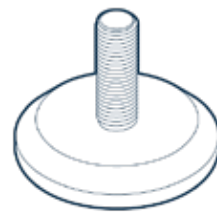
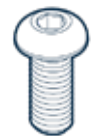


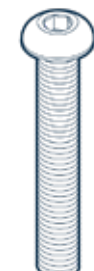
TABLE LEGS
x2



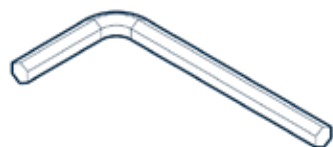
LEVELING
FOOT PAD
x4



M8X20L
SCREW
x6



M8X55L
SCREW
x4



5MM ALLEN KEY
x1

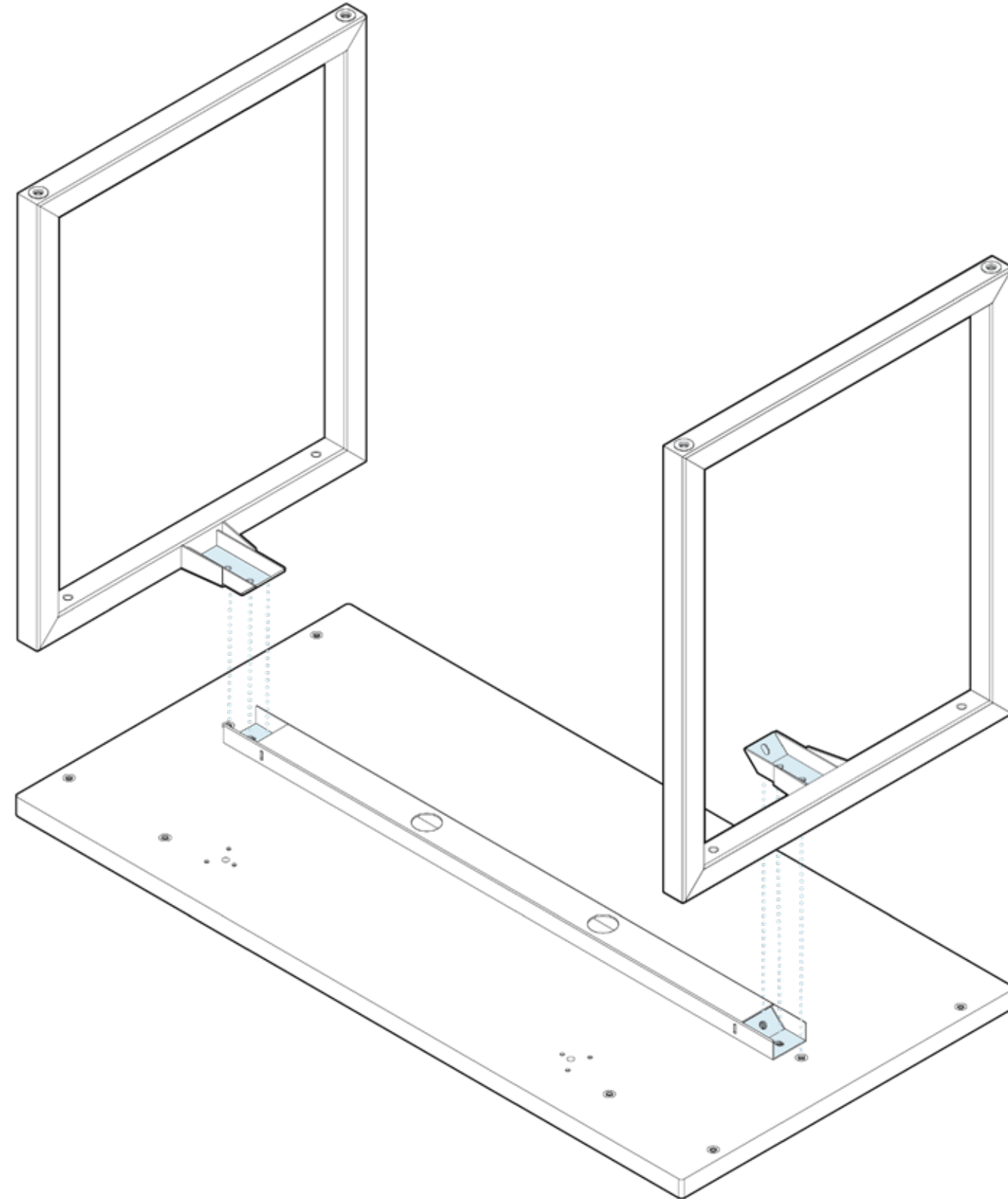


LOCK
WASHER
x10

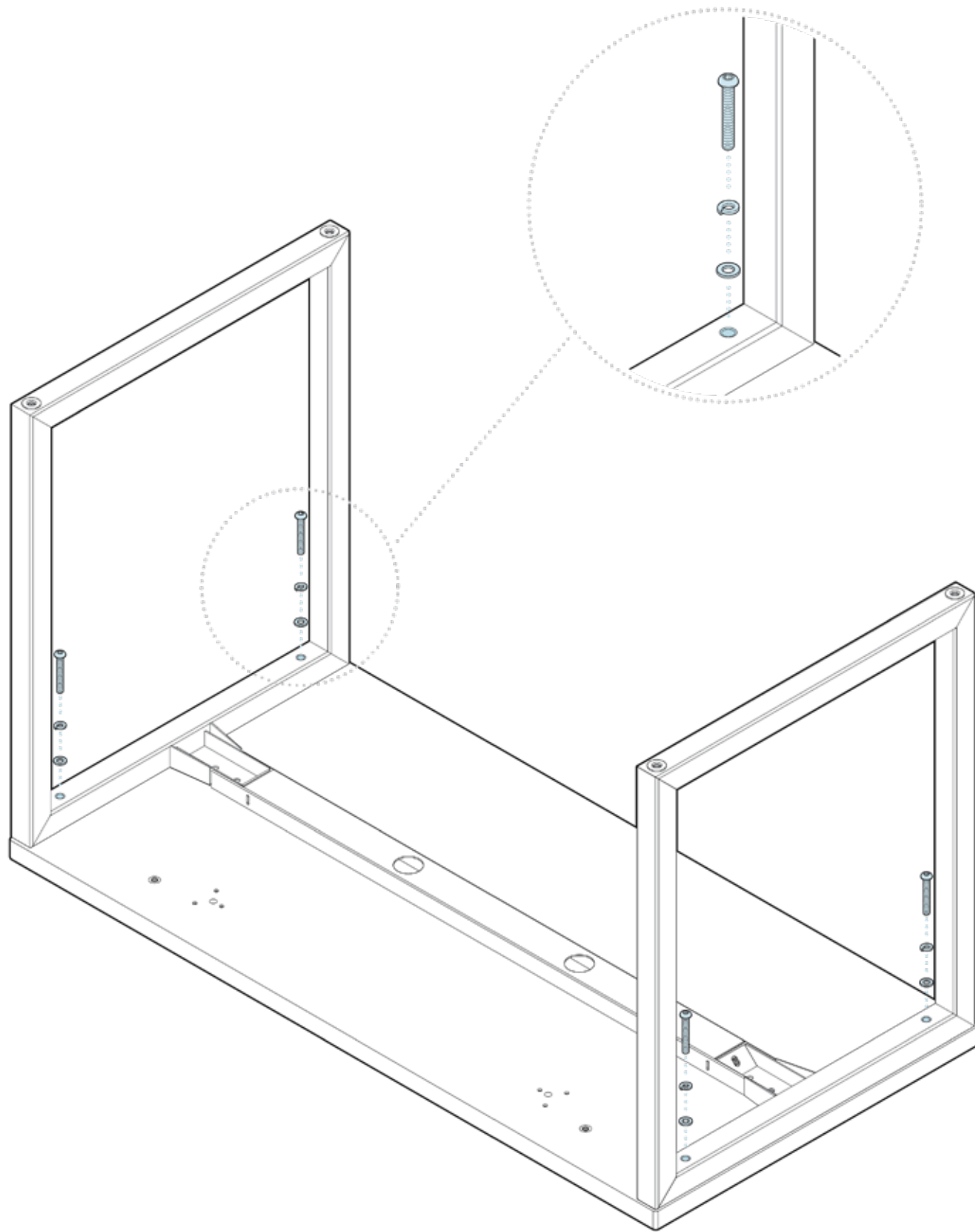


FLAT
WASHER
x10

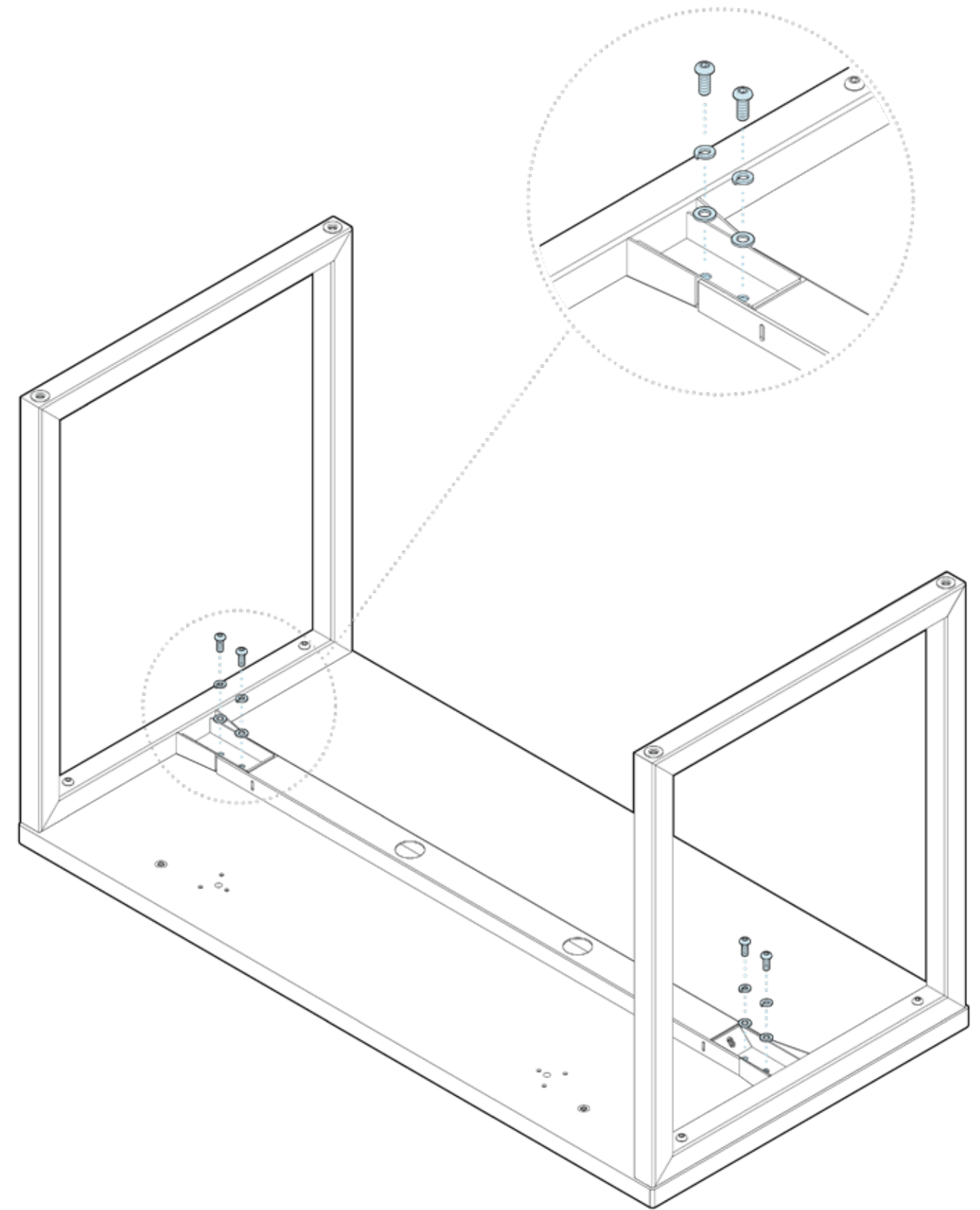
1



To prevent any surface scratching, we recommend assembling the table in its box (or on another smooth, debris-free flat surface). With the table top face-down and frame-up, lower the legs onto the table top, and align the leg frame inserts with the table top crossbar's cutouts.

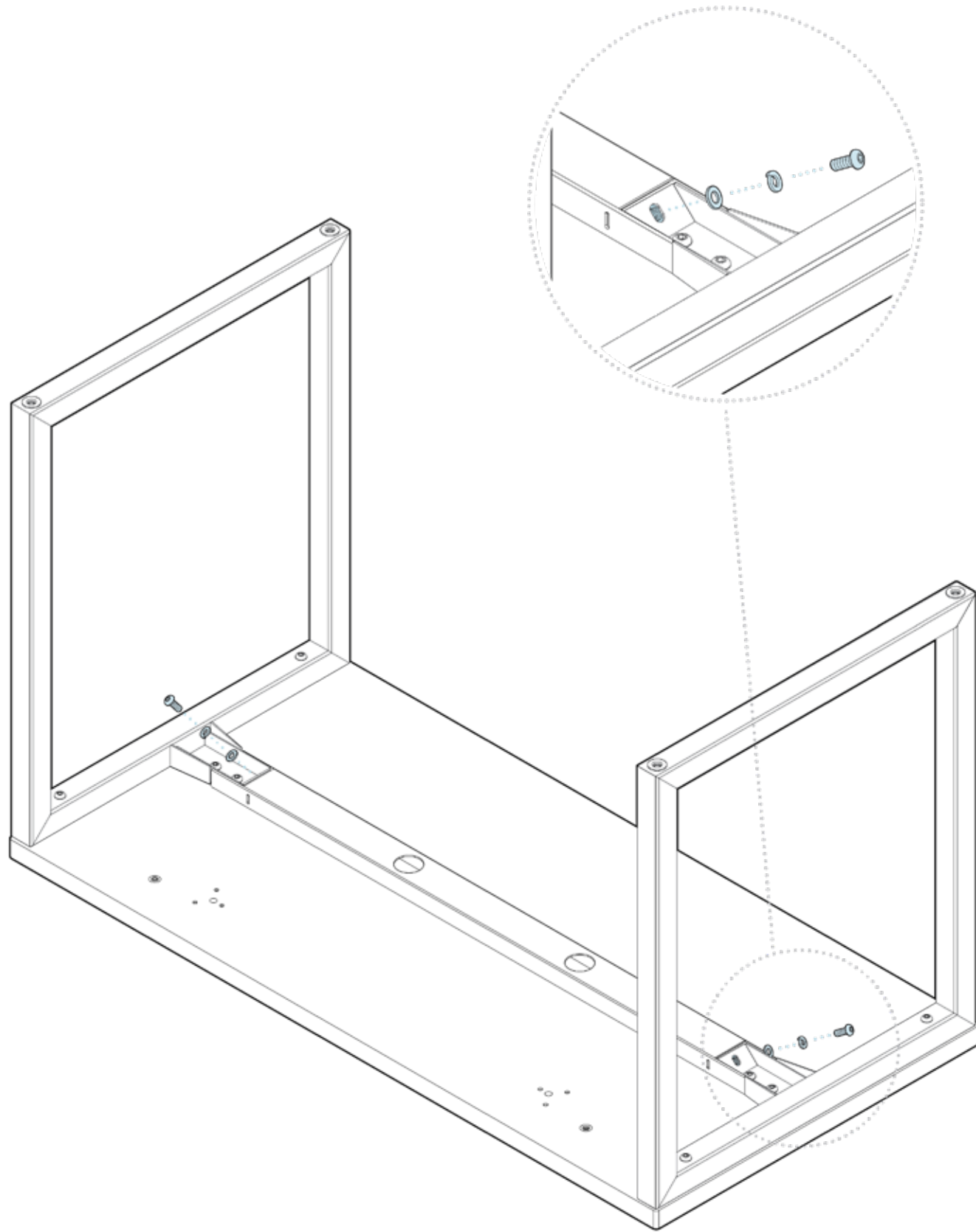
2

Place a lock washer and then a flat washer onto each of the four long screws (M8X55L), forming four sets. Insert each set into an opening in a corner of the leg frame, and use the provided Allen key to secure the leg frame to the table top.

3

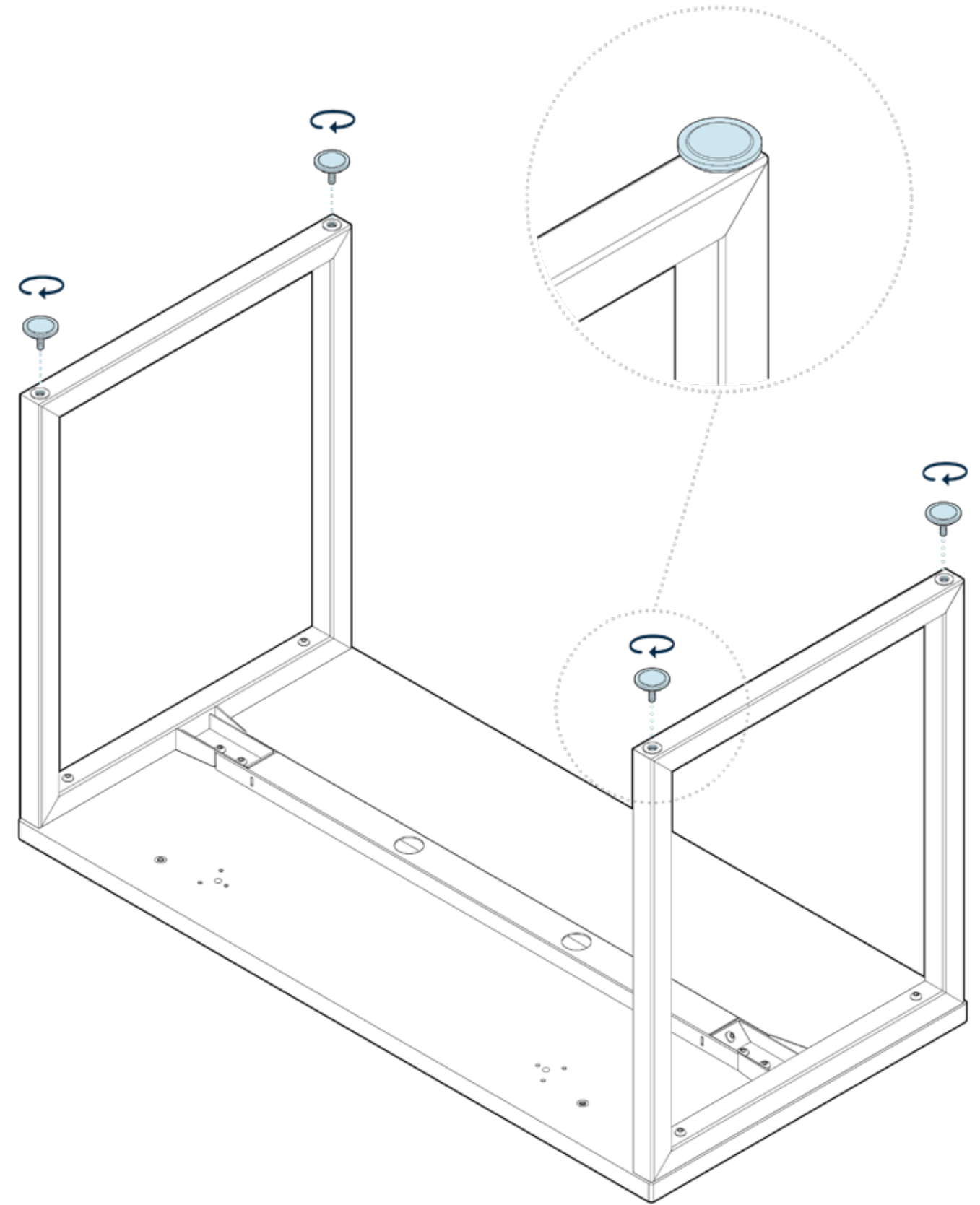
Place a lock washer and then a flat washer onto four of the short screws (M8X20L), forming four sets. Insert each set into a flat opening where the leg frame inserts meet the table top crossbar. Use the provided Allen key to secure the leg frame inserts to the table top crossbar.

4



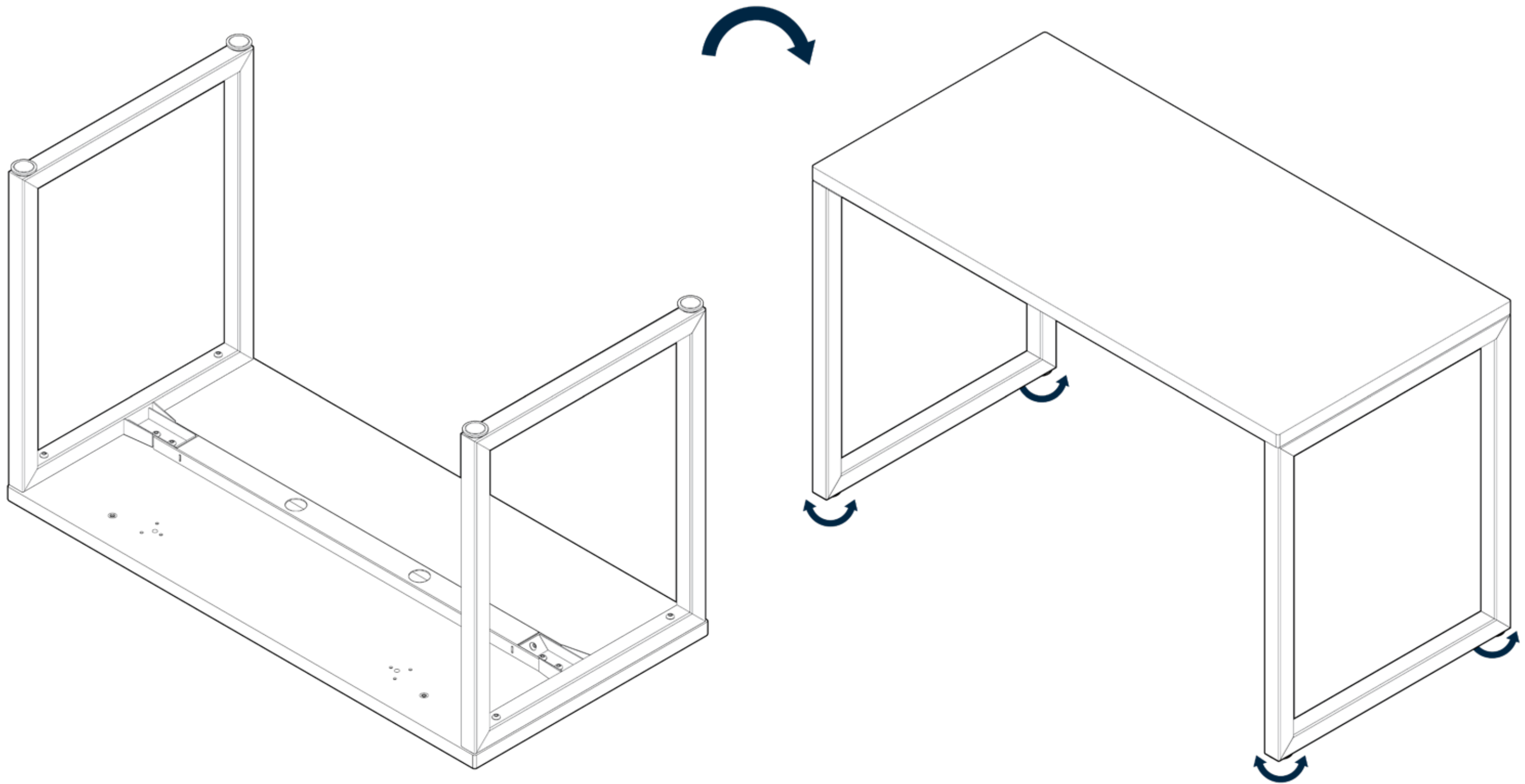
Place a lock washer and then a flat washer onto the remaining two short screws (M8X20L), forming two sets. Insert each set into a slanted opening where the leg frame inserts meet the table top frame. Use the provided Allen key to secure the leg frame inserts to the table top crossbar.

5



Tighten the four foot pads, by hand, into the corners of the legs.

6



NOTE: If installing a Cable Management Tray, do so before turning the table into an upright position.

With assistance, lift the table, turn it into an upright position, and set it down on its foot pads. If needed, turn each foot pad until the table is level.