

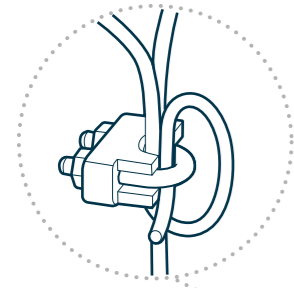
Halo Hardwire Pendant



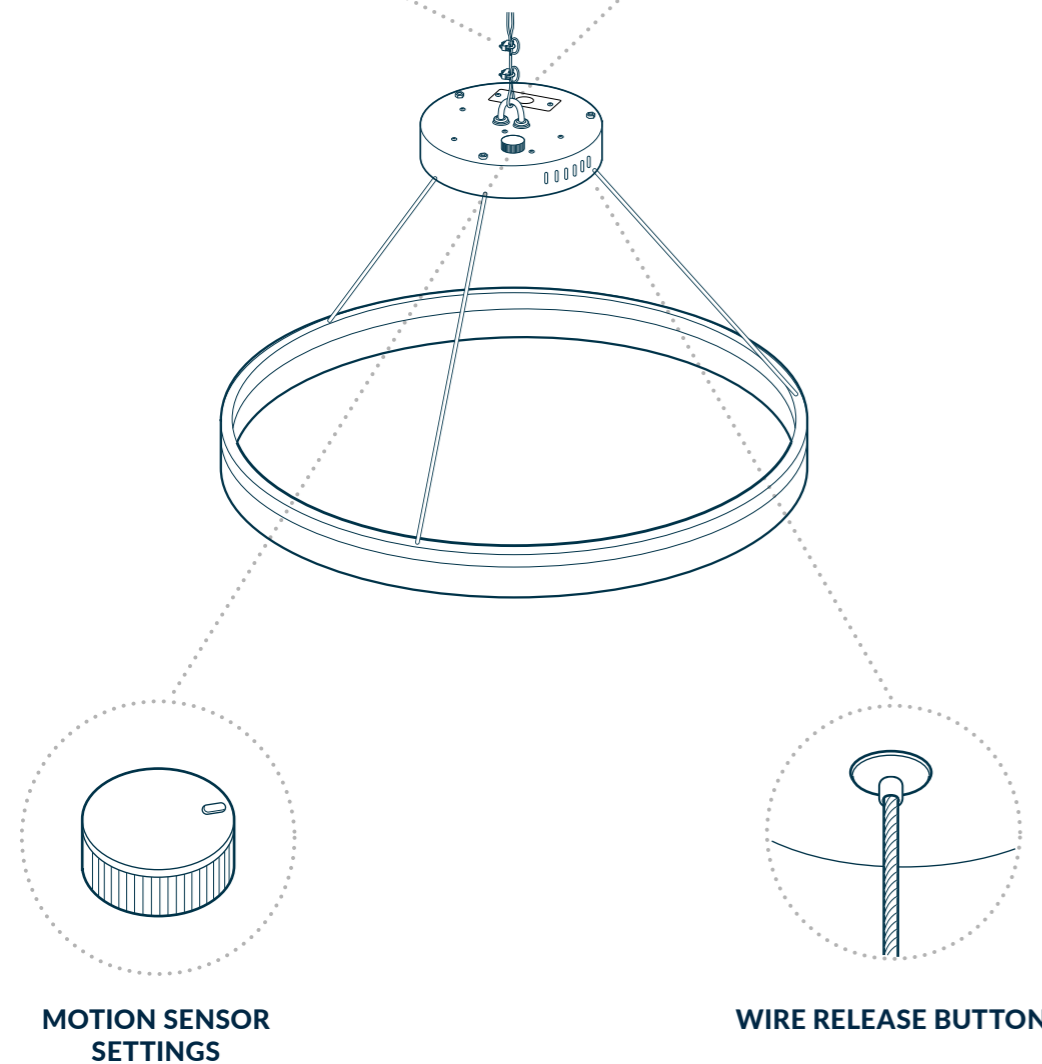
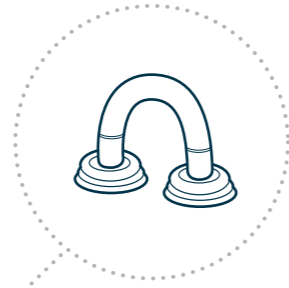
Electrician
Required for
Installation

vari®

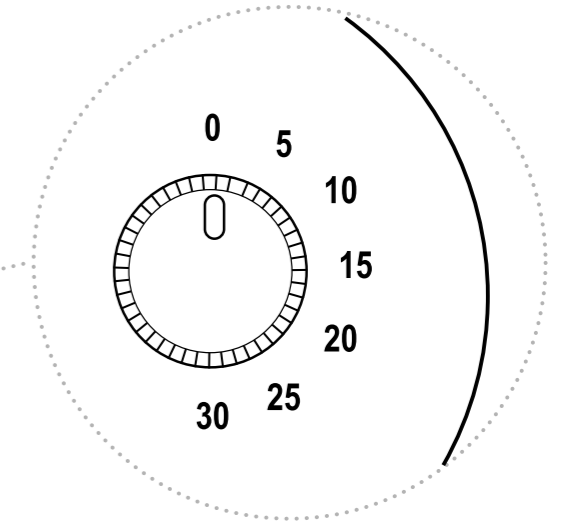
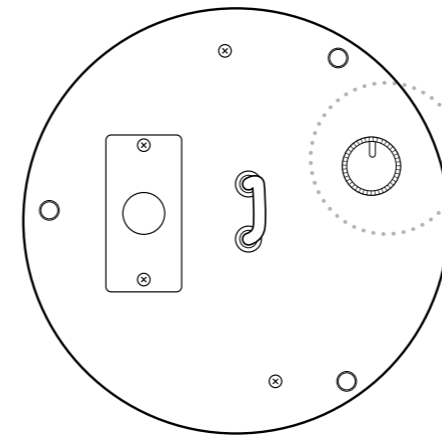
U-BOLT CLAMP



U-RING

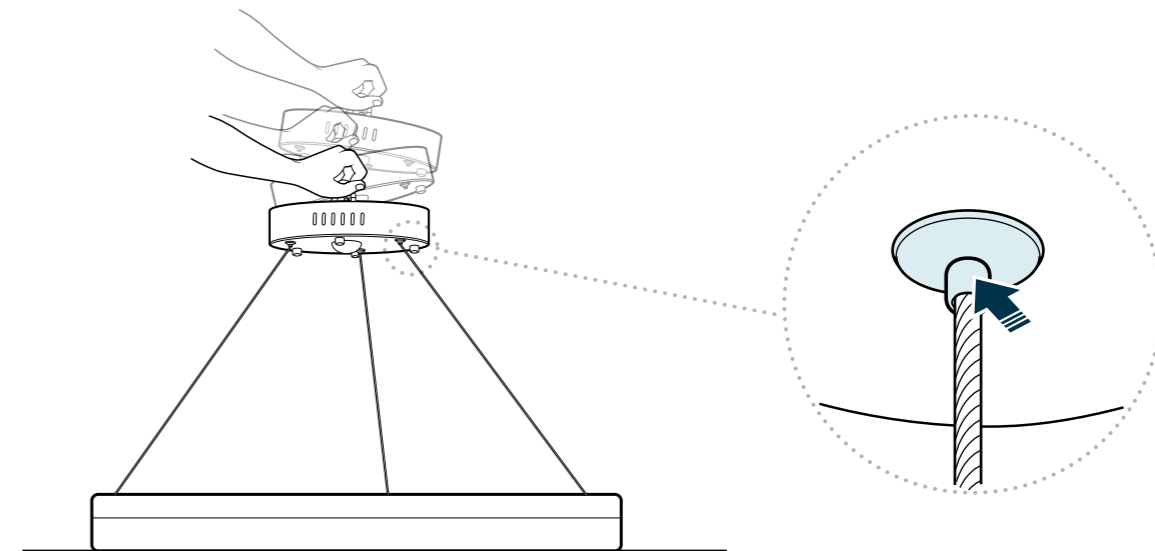


1 Motion Sensor Settings



Before installing, set the motion sensor timer to the desired setting. You can set the motion timer switch in 5 minute increments up to 30 minutes; setting to 0 will keep the light from turning off. Sensor will detect movement from 360 degrees from up to 29 feet (9 meters) away, but for accurate sensing, plan to hang the light no more than 13 feet (4 meters) from the ground.

2 Wire Release Button

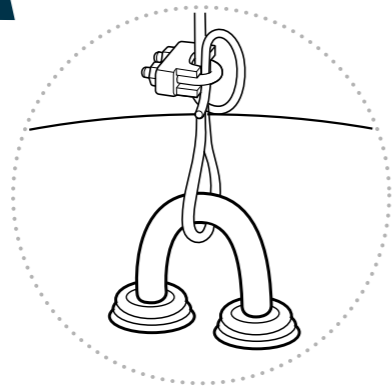
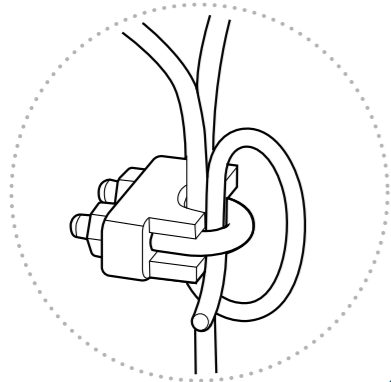
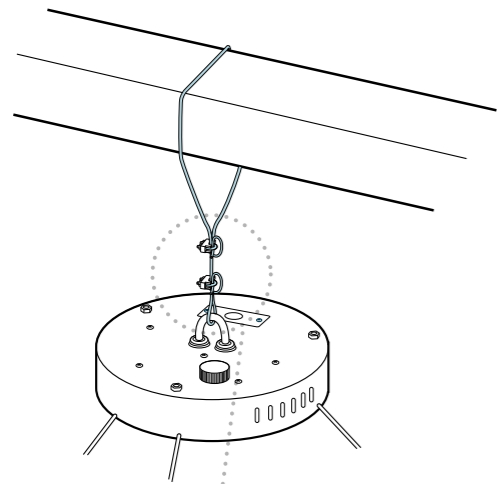


To level, place the light on the ground or level surface. Pushing in the wire release button allows you to adjust the length of the wire. Before hanging, press the button and push excess wire or pull out needed wire to achieve your desired wire length and evenness. **NOTE:** the wires can be shortened to a minimum distance of 16" (40.5cm) from the junction box or extended to a maximum distance of 37" (94cm) from the junction box.

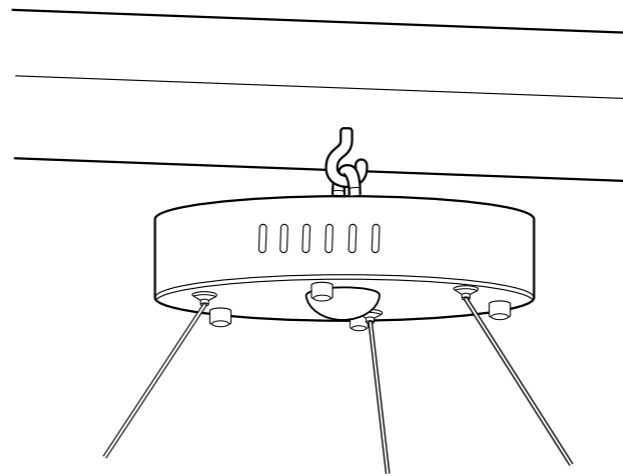


(800) 207-2587

3 U-Bolt Option



4 J-Hook Option



NOTE: If you've completed step 3, skip this step.

If you have a pre-installed J-bolt, hook the U-ring built into the top of the power base onto the J-bolt hook.

Wrap cable around beam near connection point, and secure the string by using the first U-bolt clamp. Be sure to leave an excess 12 inches (30.5cm) on the bottom for a secondary loop necessary to hang the Halo Hardwire Pendant. Thread excess cable through the U-ring built into the top of the power base, then clamp at desired height using second U-bolt clamp. Use fingers to tighten the clamp initially and a wrench to fully tighten and secure the light. It's recommended that any beam used for installing a Halo Pendant can support at least 33 lb. (15kg).



WARNING: To avoid electric shock, disconnect power at source prior to installation.



ATTENTION: Power sources should always be installed by a qualified electrician. For power supply and proper installation, reference NEC and local applicable building codes.



WARNING: To reduce risk of fire, electric shock, or personal injury, use only indoors and do not install in a wet or damp location.



CAUTION: Do not stare directly into lamp light. This could be damaging to your eyes.



CAUTION: Ensure power is off at source before cleaning. Do not use chemical solvents or harsh abrasives to clean as damage may occur.



CAUTION: Keep lamp away from materials that may burn.



NOTICE: This device complies with Part 15 of the FCC Rules. Operation is subject to the following two conditions: (1) this device may not cause harmful interference, and (2) this device must accept any interference received, including interference that may cause undesired operation.