

# Executive Lateral File Cabinet

**vari**®



The Executive Lateral File Cabinet is a versatile filing solution. Its two-drawer design gives you maximum storage potential. The wide, upper drawer is perfect for office supplies, while the deep, lower drawer has room for letter- or legal-sized hanging file folders. Whether you're storing files or personal items, this cabinet is ready for anything you can throw at it. (Or in it.)

- Space for Letter- or Legal-Sized Hanging Files
- Soft-Close Drawers are Lockable to Secure Files
- Drawer Pulls Can Be Repositioned to Left, Center, or Right of Drawer
- Leveling Feet to Compensate for Uneven Floors
- Durable Laminate Finish That's Easy to Clean
- Ships Fully Assembled

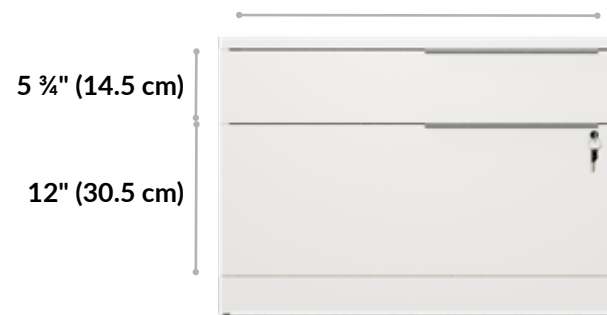
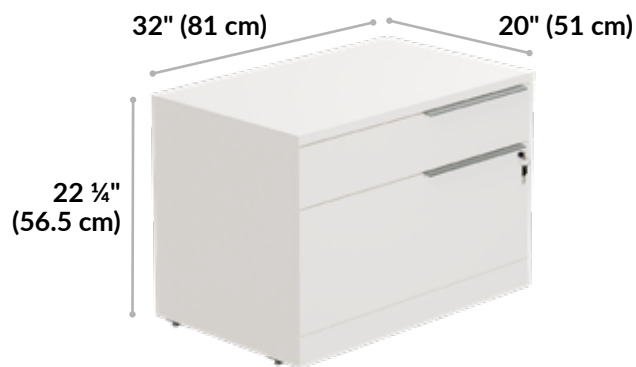
Finishes:



White



Neowalnut



Drawer Interior Width:  
28 ¾" (72 cm)

Drawer Depth:  
15 ¾" (40 cm)

